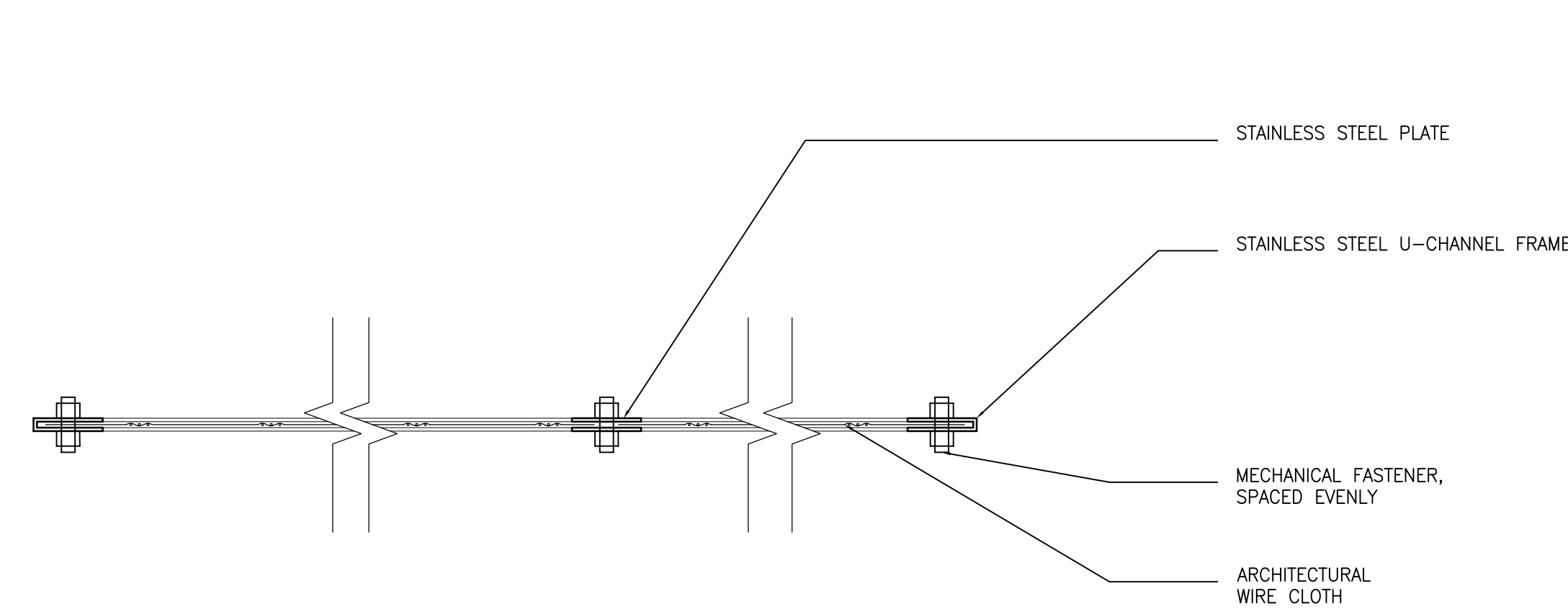
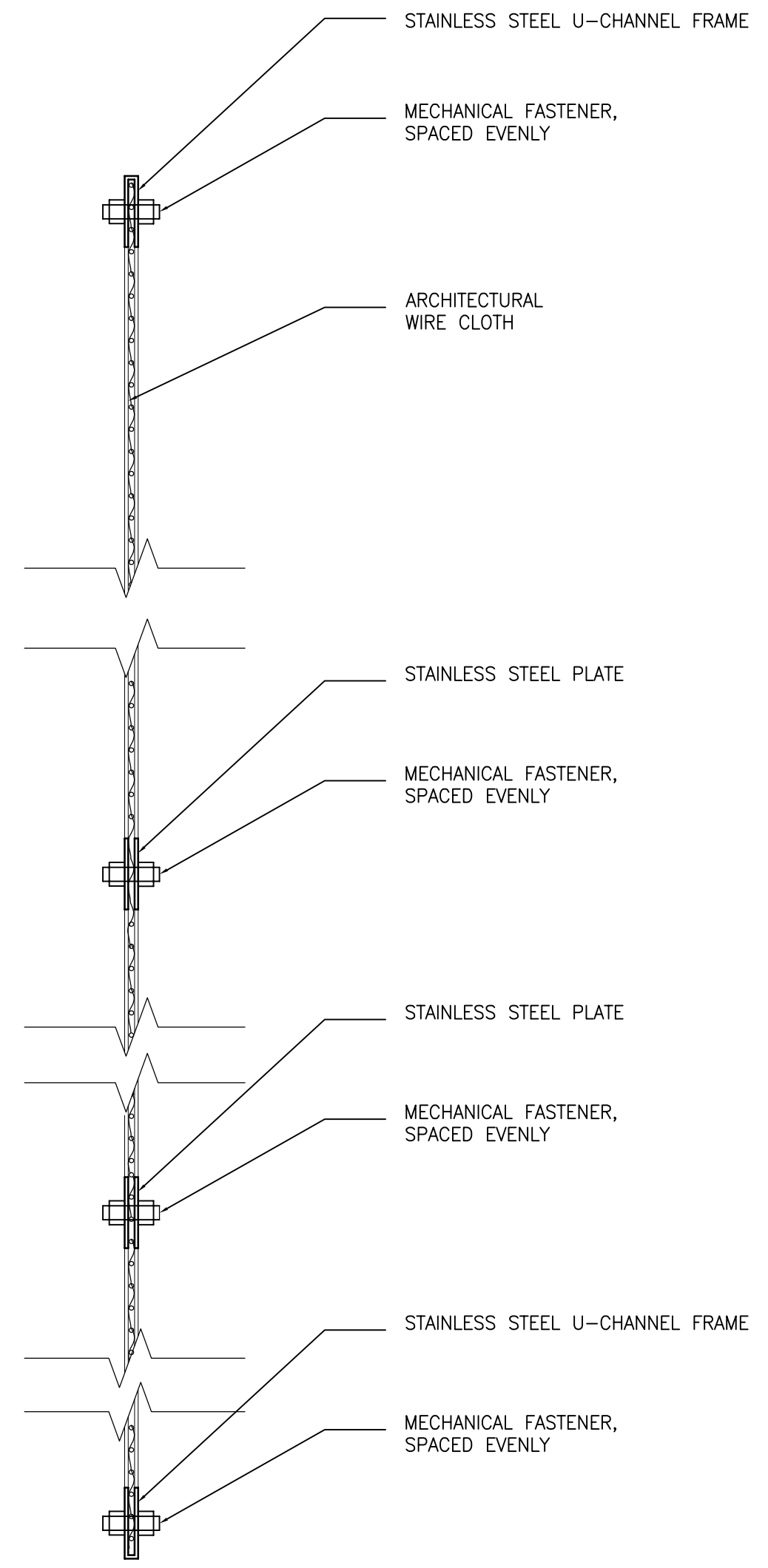
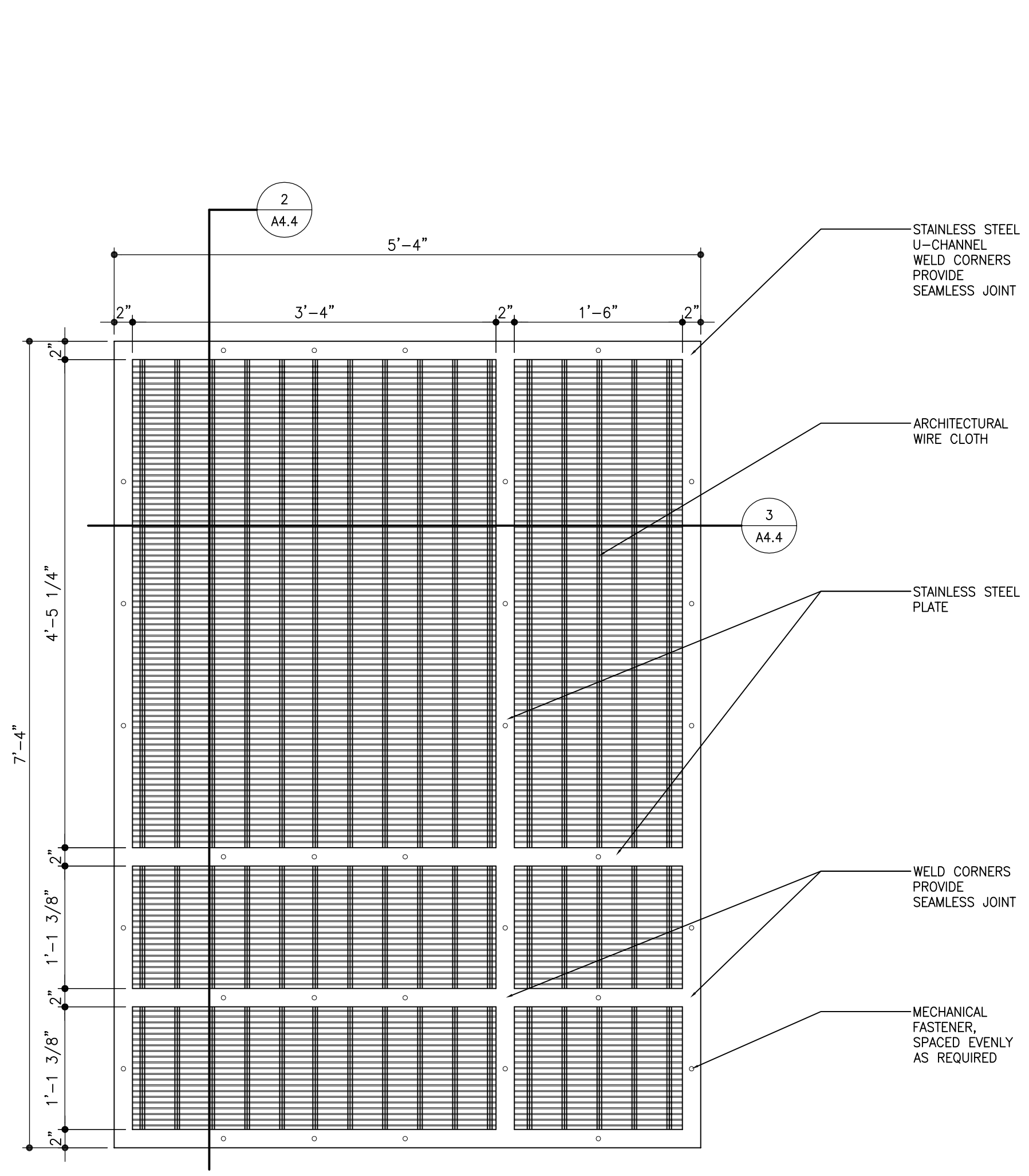


THIS DRAWING MUST NOT BE SCALED.
 THE GENERAL CONTRACTOR SHALL VERIFY ALL DIMENSIONS, DRAWINGS, AND LEVELS PRIOR TO COMMENCEMENT OF WORK. ALL ERRORS AND OMISSIONS TO BE REPORTED TO NUMBER TEN ARCHITECTURAL GROUP BEFORE PROCEEDING.
 VARIATIONS AND MODIFICATIONS TO WORK SHOWN ON THESE DRAWINGS SHALL NOT BE CARRIED OUT WITHOUT WRITTEN PERMISSION OF NUMBER TEN ARCHITECTURAL GROUP.
 THIS DRAWING IS THE EXCLUSIVE PROPERTY OF NUMBER TEN ARCHITECTURAL GROUP AND THE COPYRIGHT IN THE SAME BEING RESERVED TO THEM. IT MAY BE REPRODUCED ONLY WITH THE PERMISSION OF NUMBER TEN ARCHITECTURAL GROUP, IN WHICH CASE THE REPRODUCTION MUST BEAR THEIR NAME.

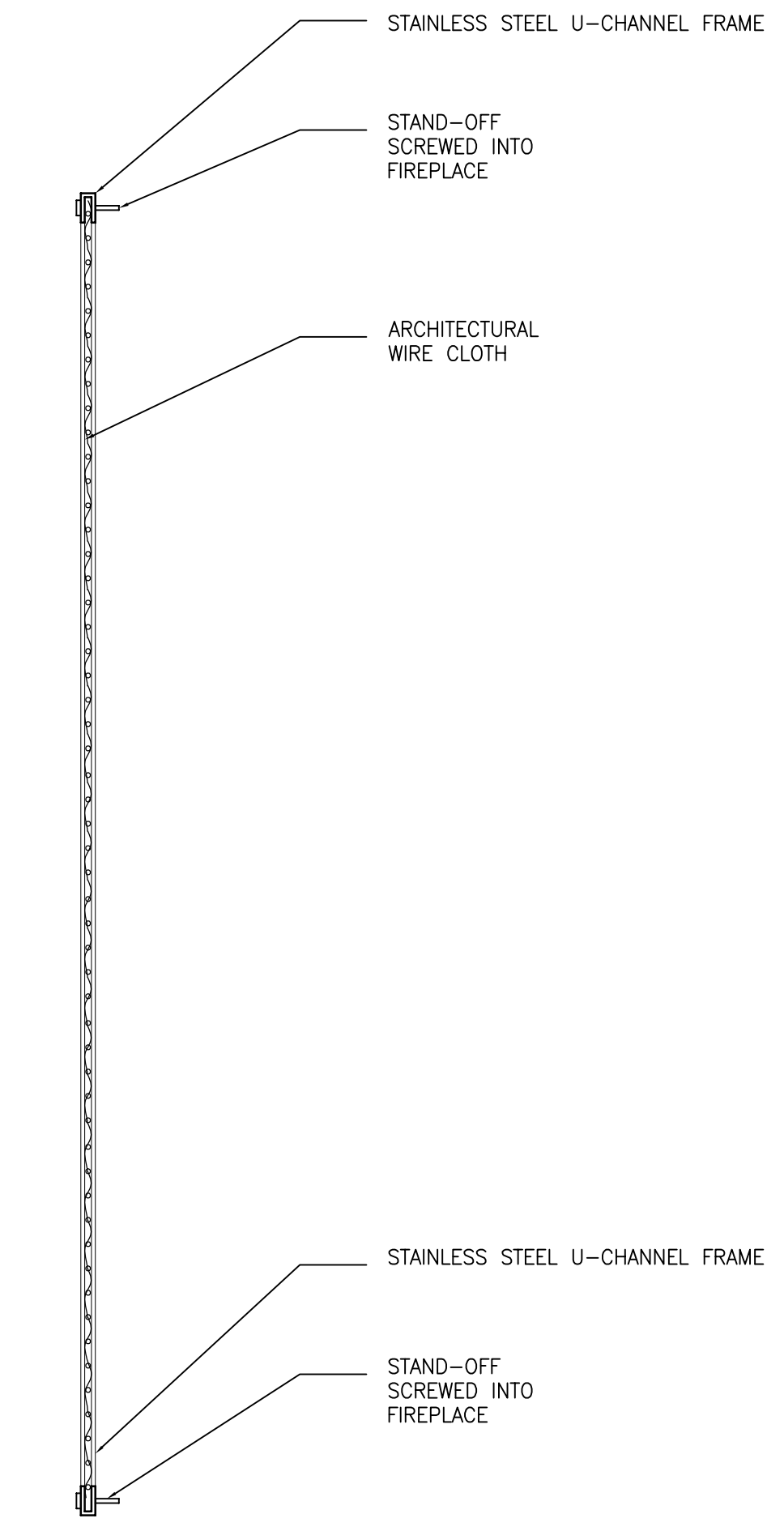
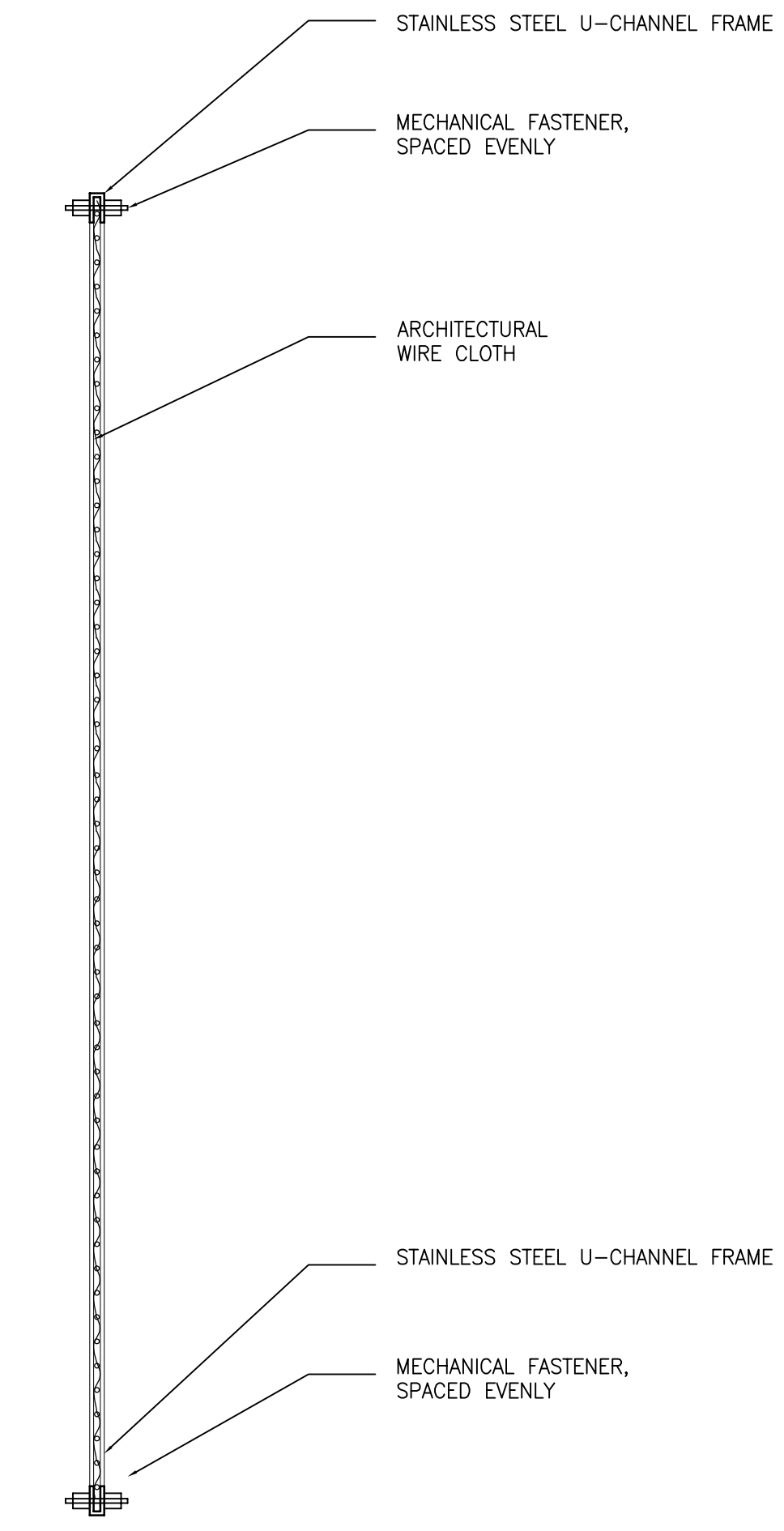
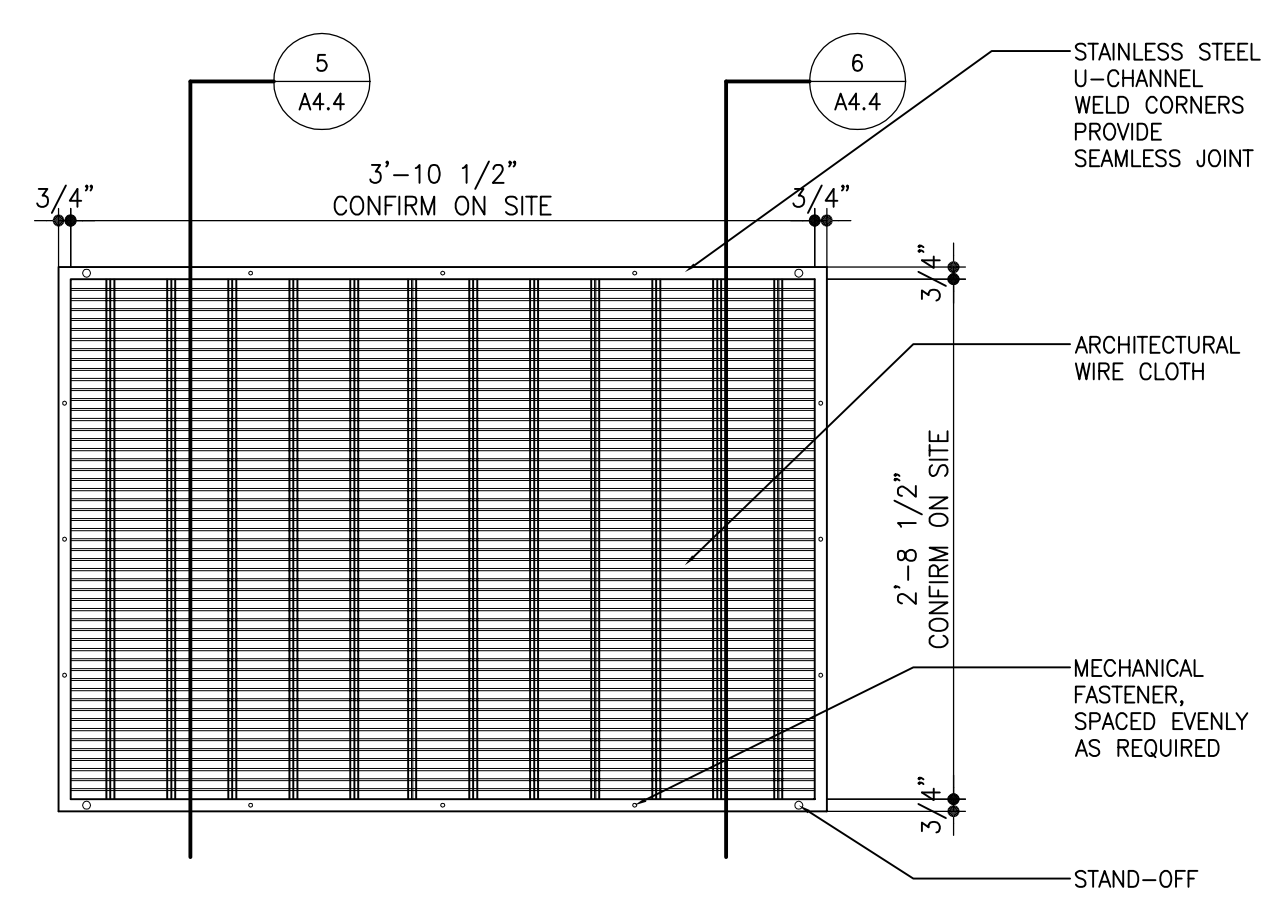
REVISED/ ISSUED/ PLOTTED	DATE



3
A4.4
SCALE: 3" = 1'-0"

1
A4.4
SCALE: 1" = 1'-0"

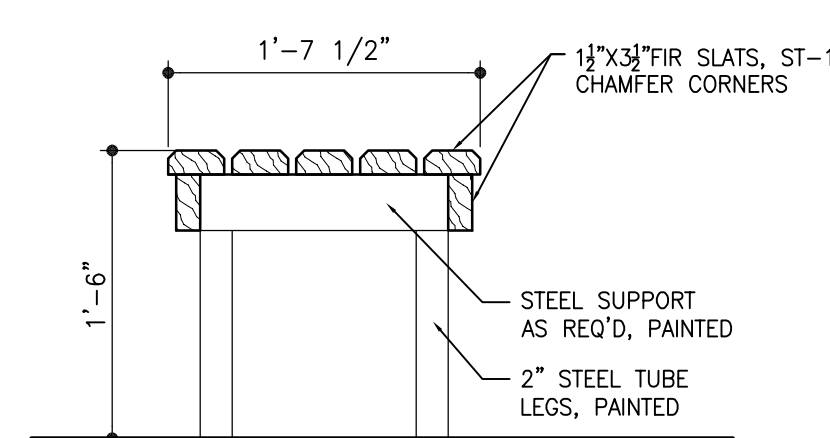
2
A4.4
SCALE: 3" = 1'-0"



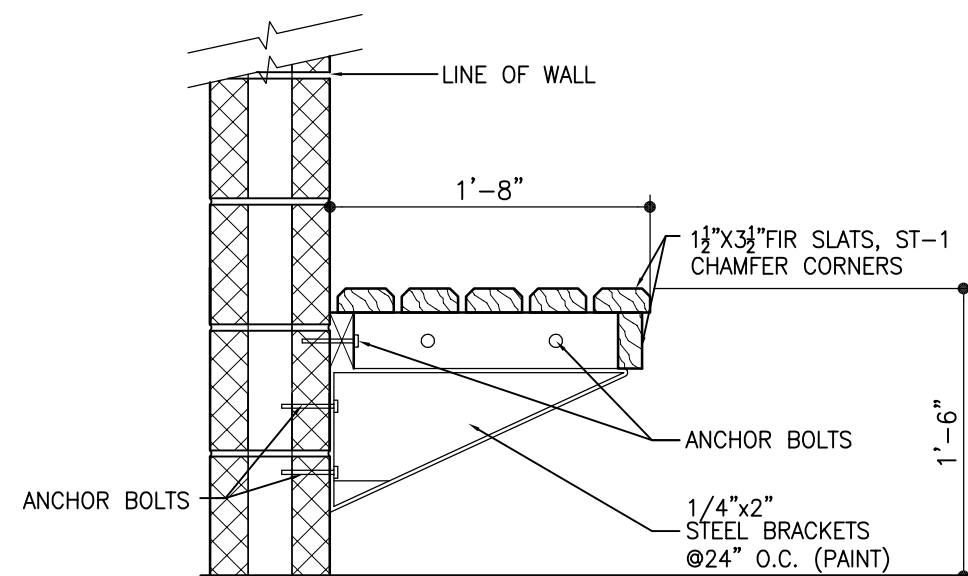
4
A4.4
SCALE: 1" = 1'-0"

5
A4.4
SCALE: 3" = 1'-0"

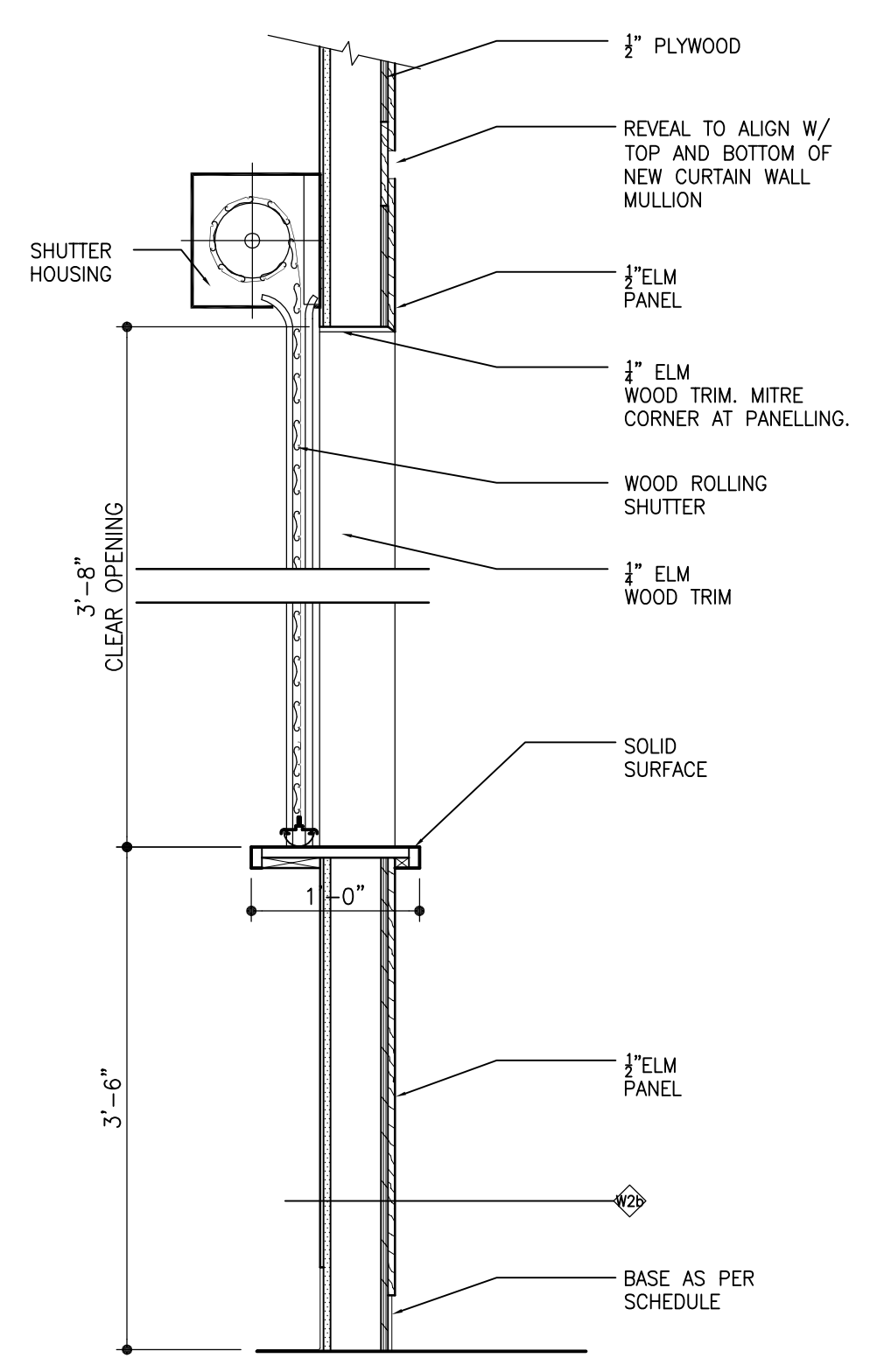
6
A4.4
SCALE: 3" = 1'-0"



8
A4.4
SCALE: 1" = 1'-0"



9
A4.4
SCALE: 1" = 1'-0"



7
A4.4
SCALE: 1" = 1'-0"

numberTEN
 architectural group
 winnipeg MB regina SK victoria BC
 204.942.0981 306.721.1501 250.360.2106
 architecture • interior design • graphic design

PEGUIS PAVILION
 UPGRADES AND ADDITION

project
 INTERIOR DETAILS

sheet title

consultant

seal
 drawn by: KDS
 checked by: RB
 project no. 2011026

scale: AS NOTED
 date: 23 NOV 11
 sheet no. A4.4