

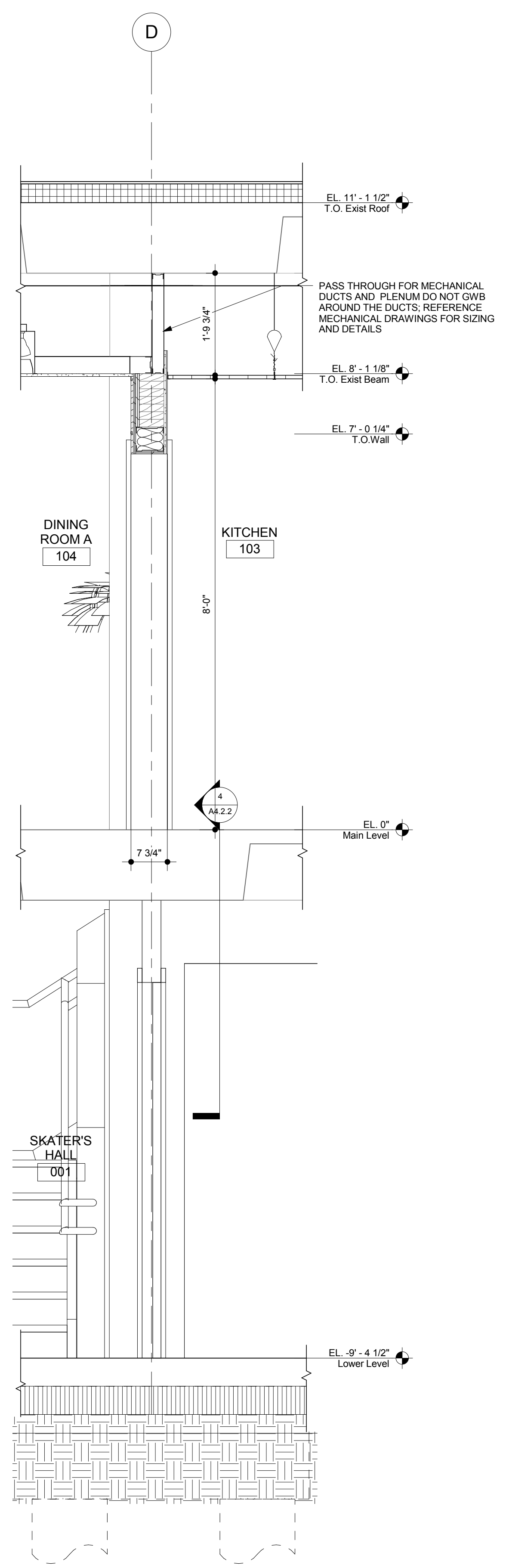
THIS DRAWING MUST NOT BE SCALED.

THE GENERAL CONTRACTOR SHALL VERIFY ALL DIMENSIONS, DATUMS, AND LEVELS PRIOR TO COMMENCEMENT OF WORK. ALL ERRORS AND OMISSIONS TO BE REPORTED TO NUMBER TEN ARCHITECTURAL GROUP BEFORE PROCEEDING.

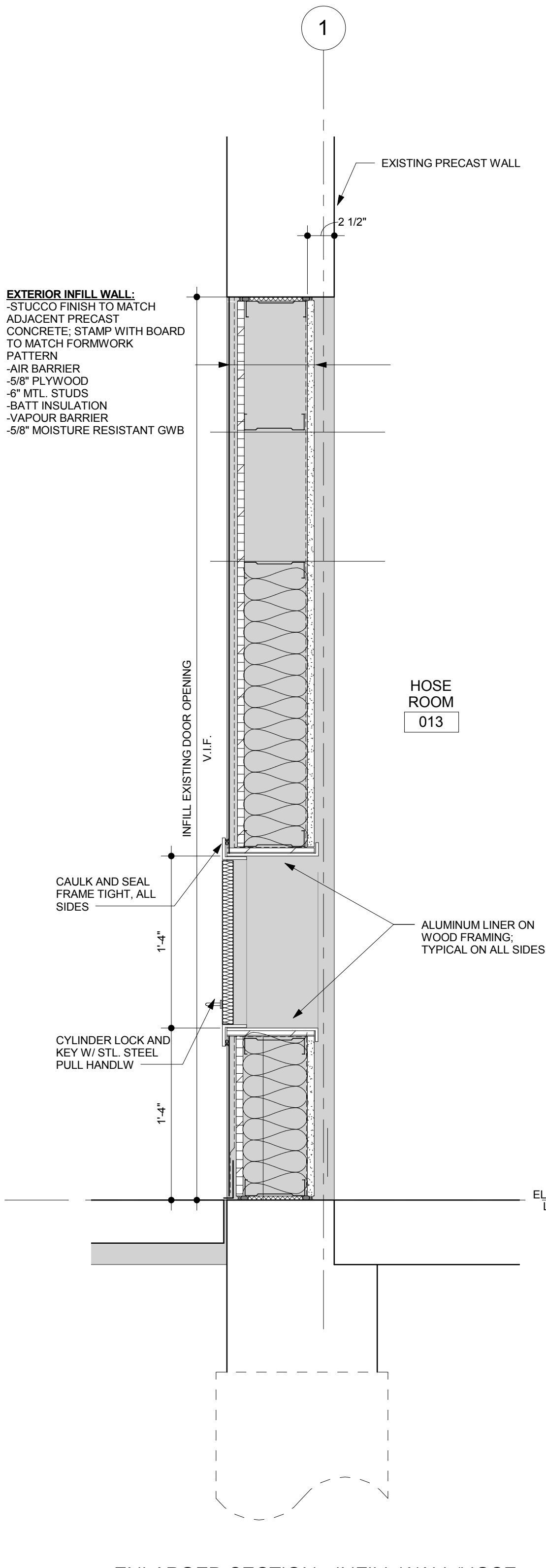
VARIATIONS AND MODIFICATIONS TO WORK SHOWN ON THESE DRAWINGS SHALL NOT BE CARRIED OUT WITHOUT WRITTEN PERMISSION OF NUMBER TEN ARCHITECTURAL GROUP.

THIS DRAWING IS THE EXCLUSIVE PROPERTY OF NUMBER TEN ARCHITECTURAL GROUP AND THE COPYRIGHT IN THE SAME REMAINS RESERVED TO THEM. IT MAY BE REPRODUCED ONLY WITH THE PERMISSION OF NUMBER TEN ARCHITECTURAL GROUP, IN WHICH CASE THE REPRODUCTION MUST BEAR THEIR NAME.

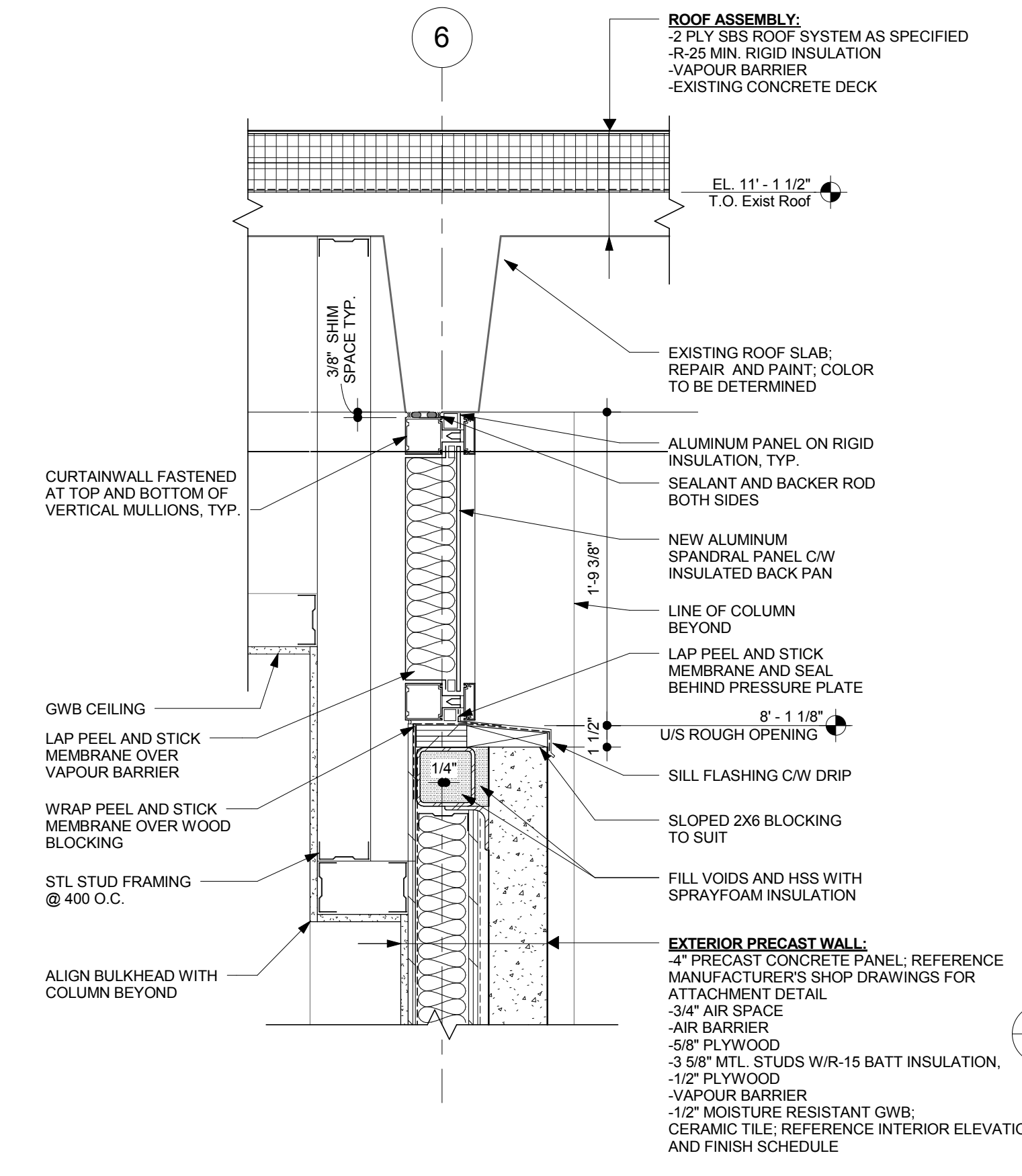
REVISION NO.	DESCRIPTION	REVISED/ISSUED/PLOTTED



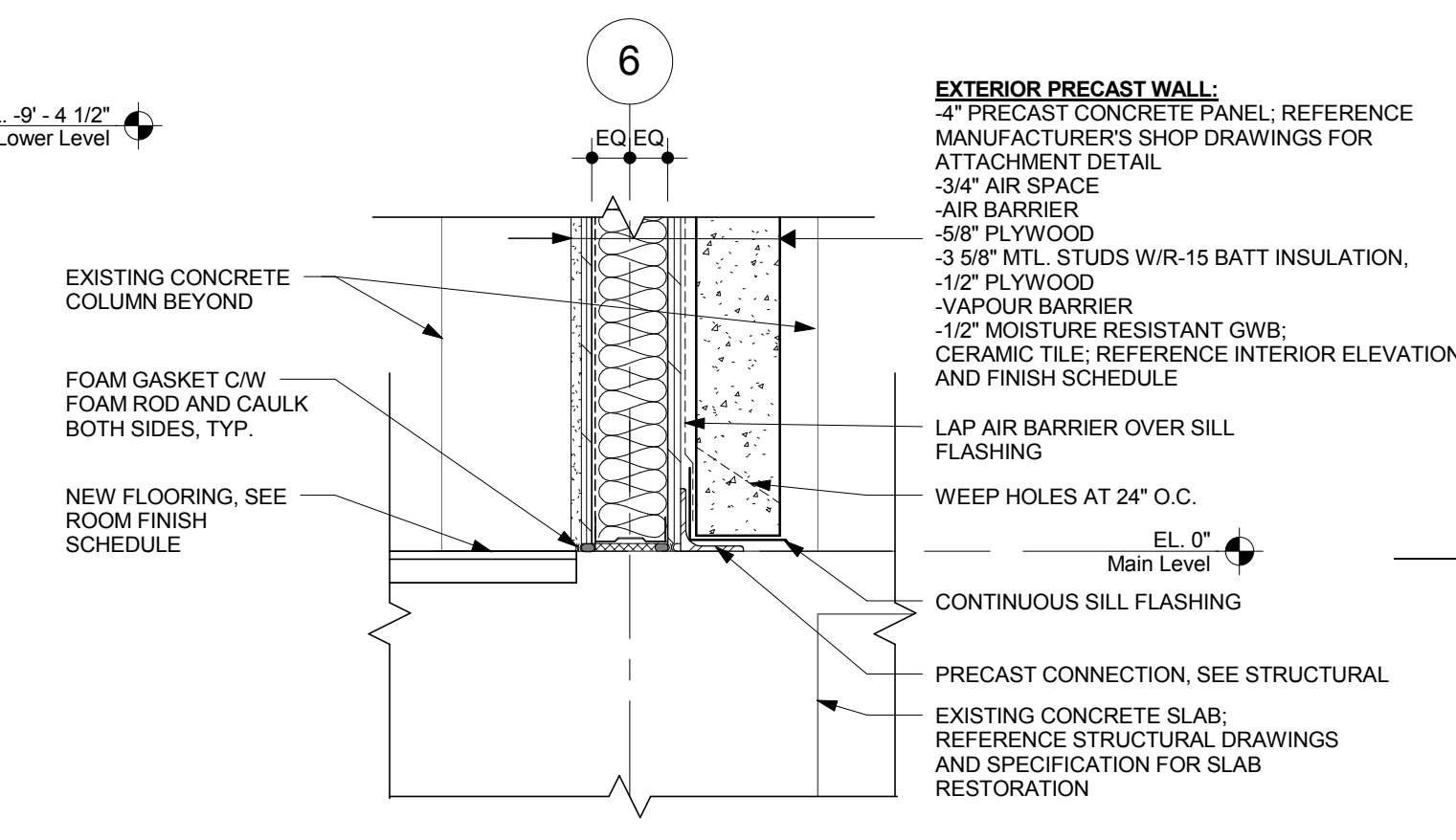
1 Callout of Section 2
A5.3 3/4" = 1'-0"



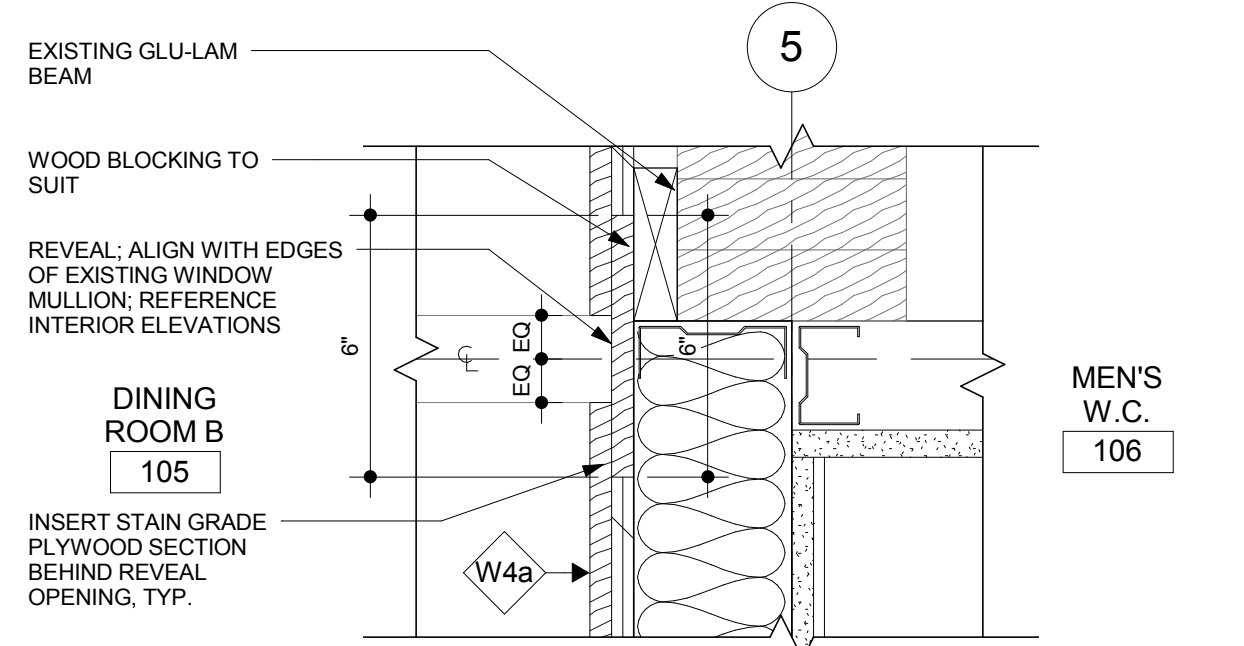
8 ENLARGED SECTION - INFILL WALL/HOOS ACCESS DOOR
A5.3 1 1/2" = 1'-0"



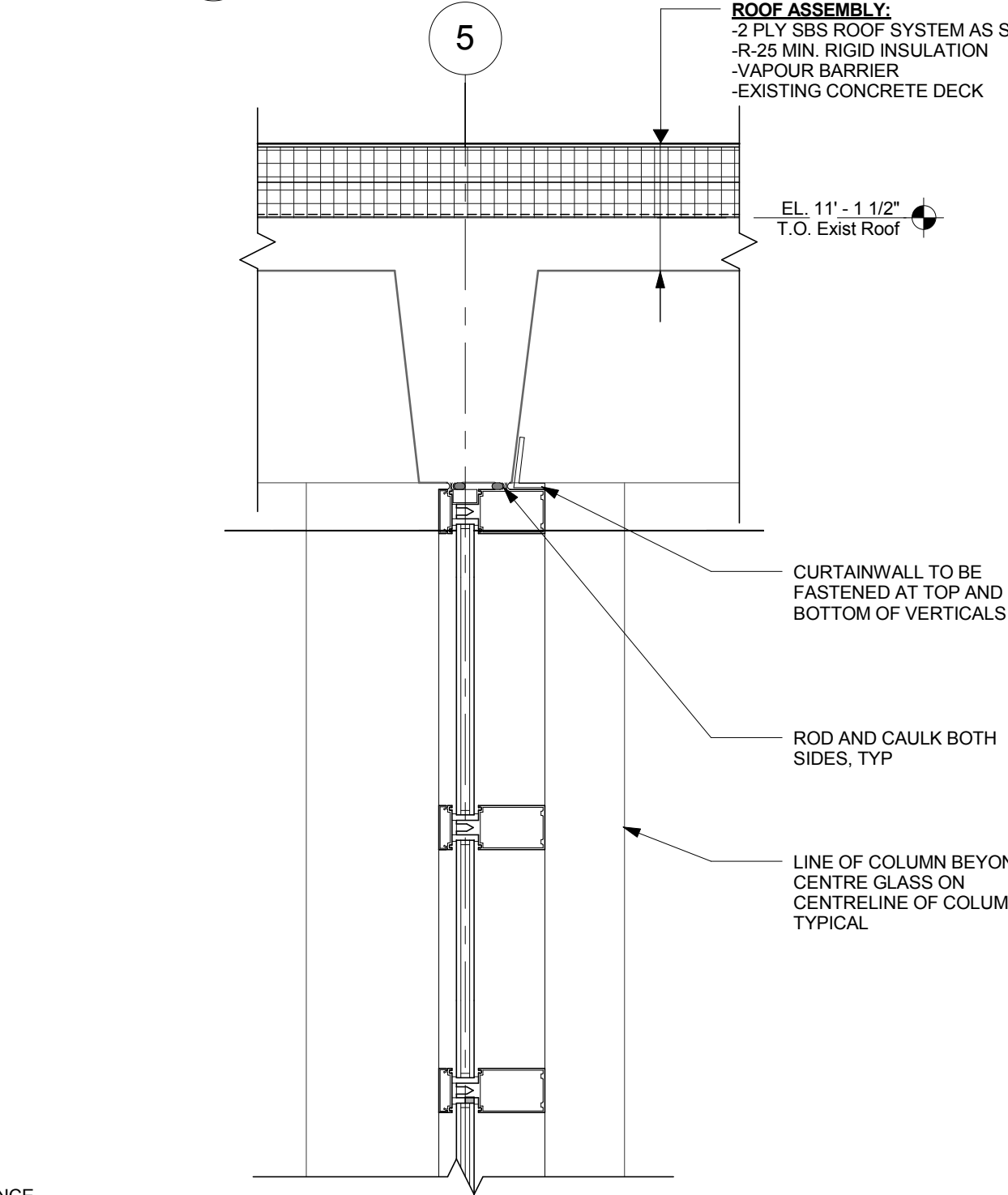
4 ENLARGED DETAIL - PRECAST WALL AT SLAB
A5.3 1 1/2" = 1'-0"



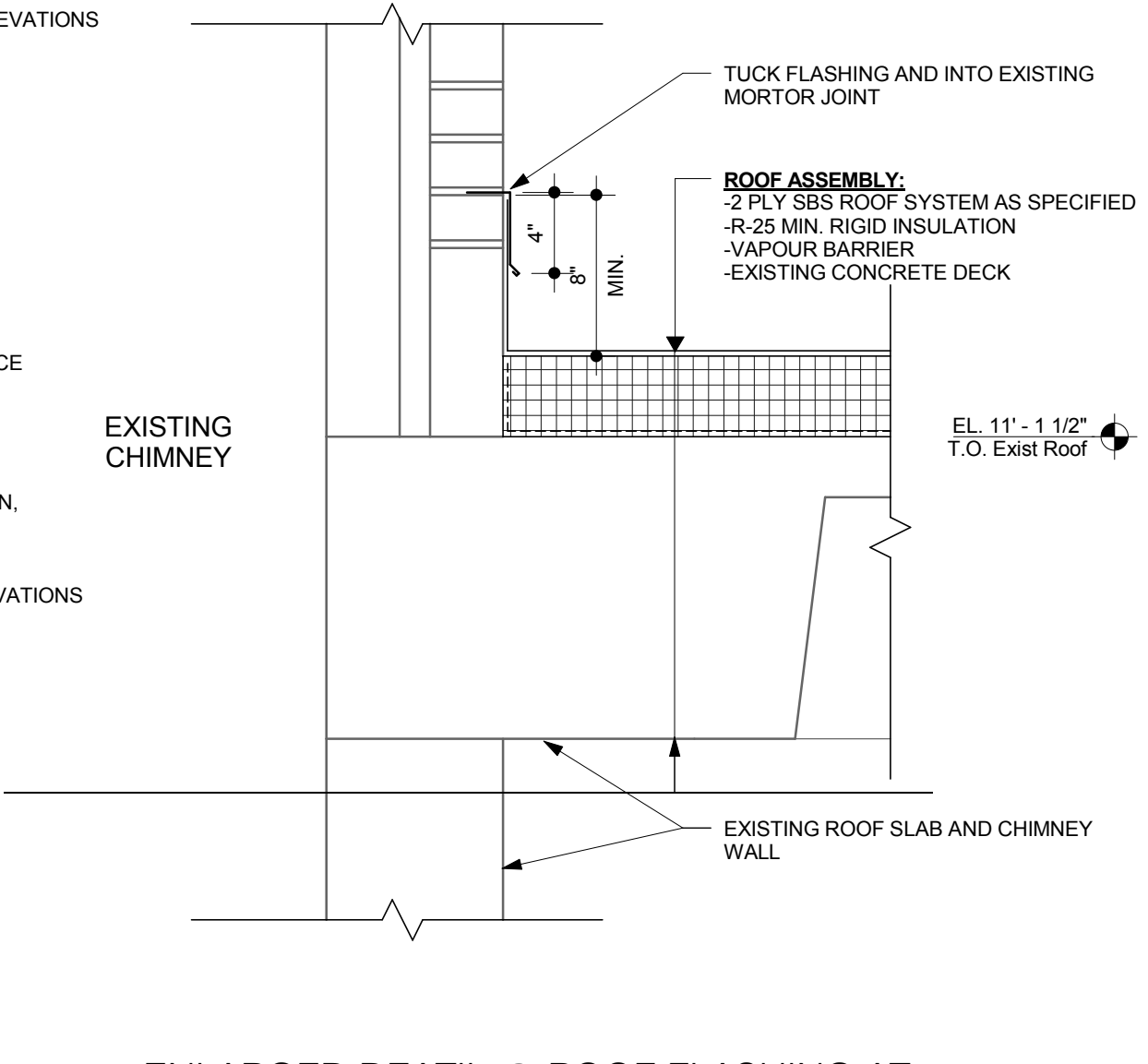
3 ENLARGED DETAIL - CLERESTORY AT PRECAST
A5.3 1 1/2" = 1'-0"



5 SECTION DETAIL - WOOD PANEL REVEAL
A5.3 3" = 1'-0"



6 ENLARGED DETAIL @ CURTAINWALL HEAD
A5.3 1 1/2" = 1'-0"



7 ENLARGED DETAIL @ ROOF FLASHING AT CHIMNEY
A5.3 1 1/2" = 1'-0"

PRE-TENDER REVIEW SET

numberTEN
architectural group

winnipeg MB regina SK victoria BC
204 942.0981 306 721.1501 250 360.2106

architecture • interior design • graphic design

Peguis Pavillon Upgrades and Entry Addition
Kildonan Park
Winnipeg, Manitoba, Canada

Wall Sections and Details

project
sheet title
consultant

scale: As indicated
date: NOV 21 2011
drawn by: Author
checked by: Checker

project no. 2011026 sheet no. A5.3