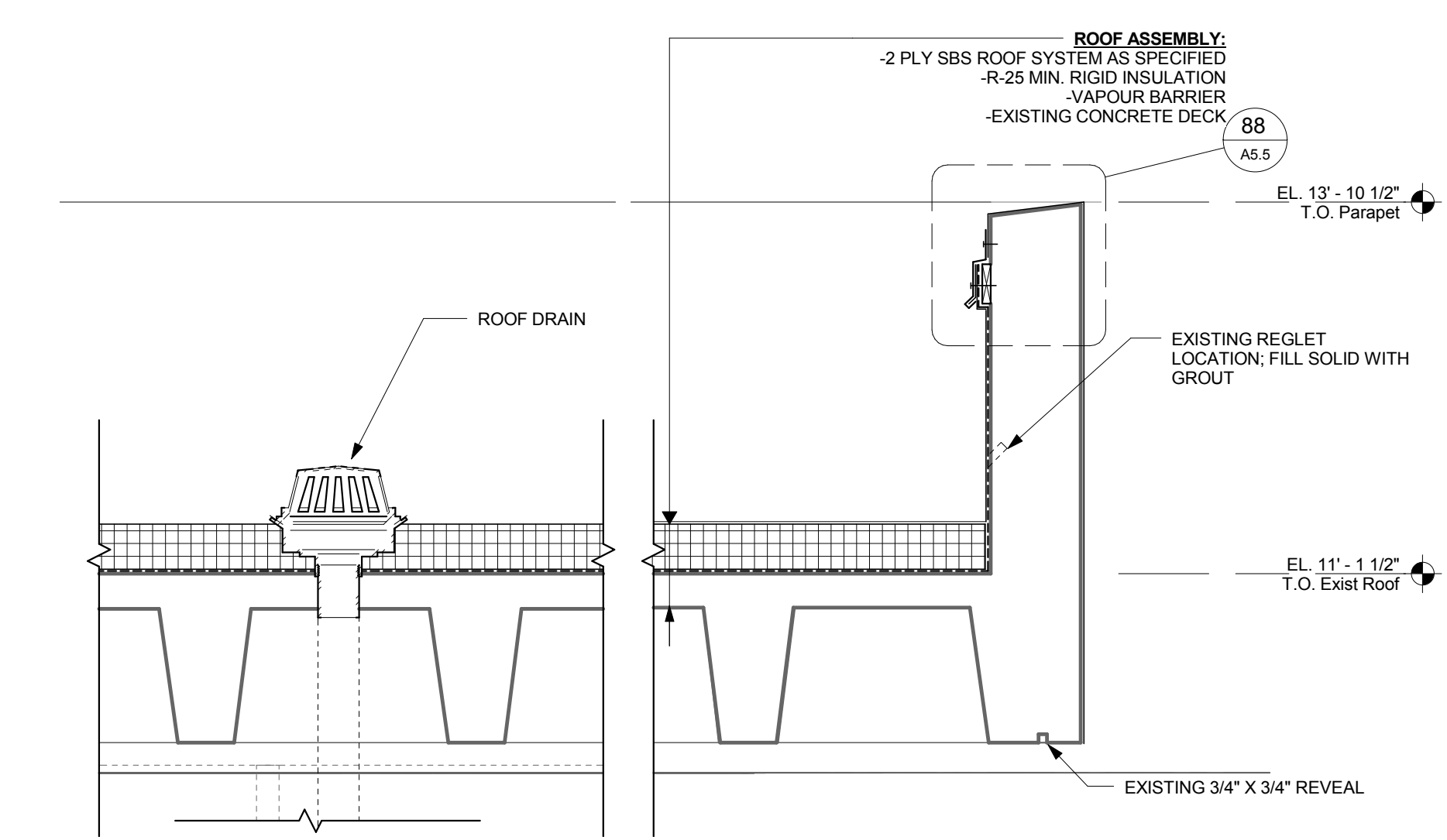
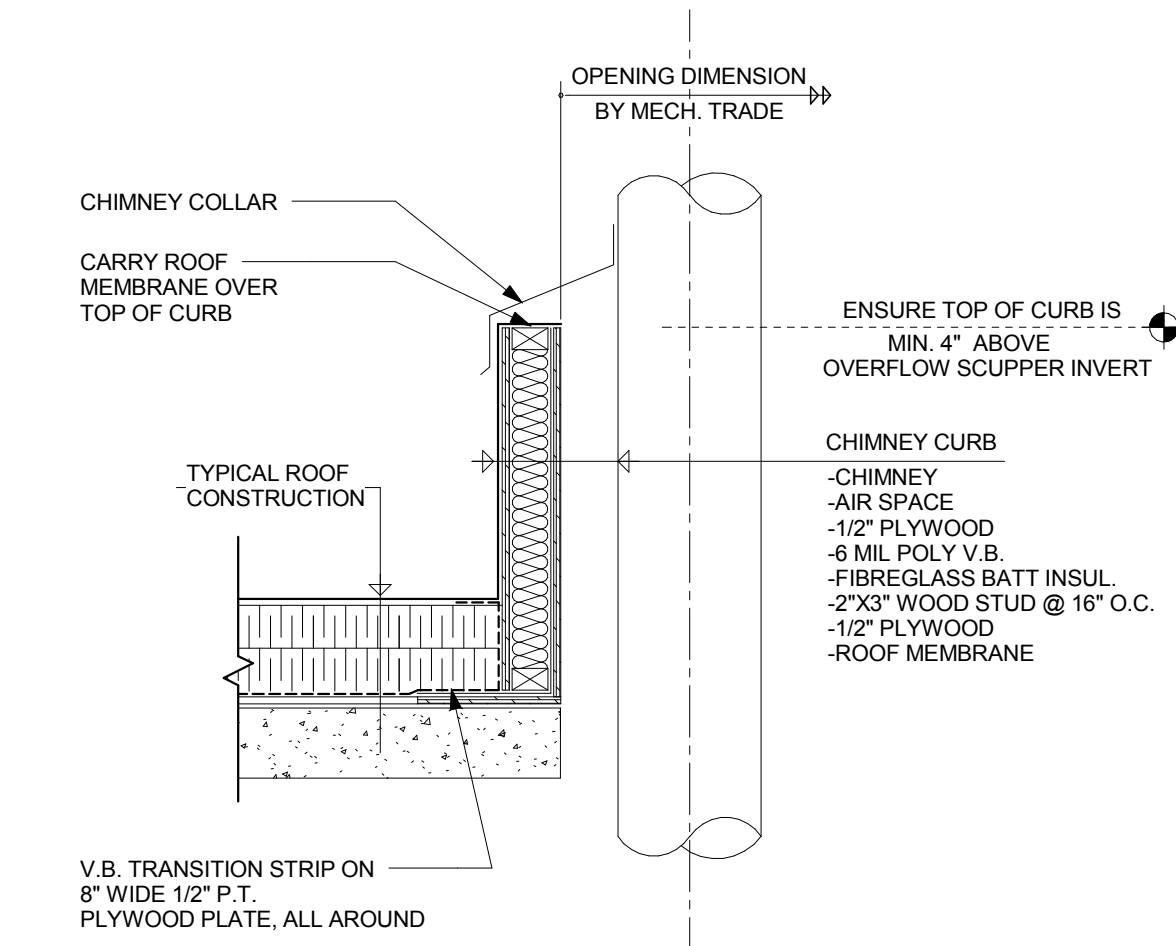


THIS DRAWING MUST NOT BE SCALED.
 THE GENERAL CONTRACTOR SHALL VERIFY ALL DIMENSIONS, DATUMS, AND LEVELS PRIOR TO COMMENCEMENT OF WORK. ALL ERRORS AND OMISSIONS TO BE REPORTED TO NUMBER TEN ARCHITECTURAL GROUP BEFORE PROCEEDING.
 VARIATIONS AND MODIFICATIONS TO WORK SHOWN ON THESE DRAWINGS SHALL NOT BE CARRIED OUT WITHOUT WRITTEN PERMISSION OF NUMBER TEN ARCHITECTURAL GROUP.
 THIS DRAWING IS THE EXCLUSIVE PROPERTY OF NUMBER TEN ARCHITECTURAL GROUP AND THE COPYRIGHT IN THE SAME REMAINS RESERVED TO THEM. IT MAY BE REPRODUCED ONLY WITH THE PERMISSION OF NUMBER TEN ARCHITECTURAL GROUP. IN WHICH CASE THE REPRODUCTION MUST BEAR THEIR NAME.

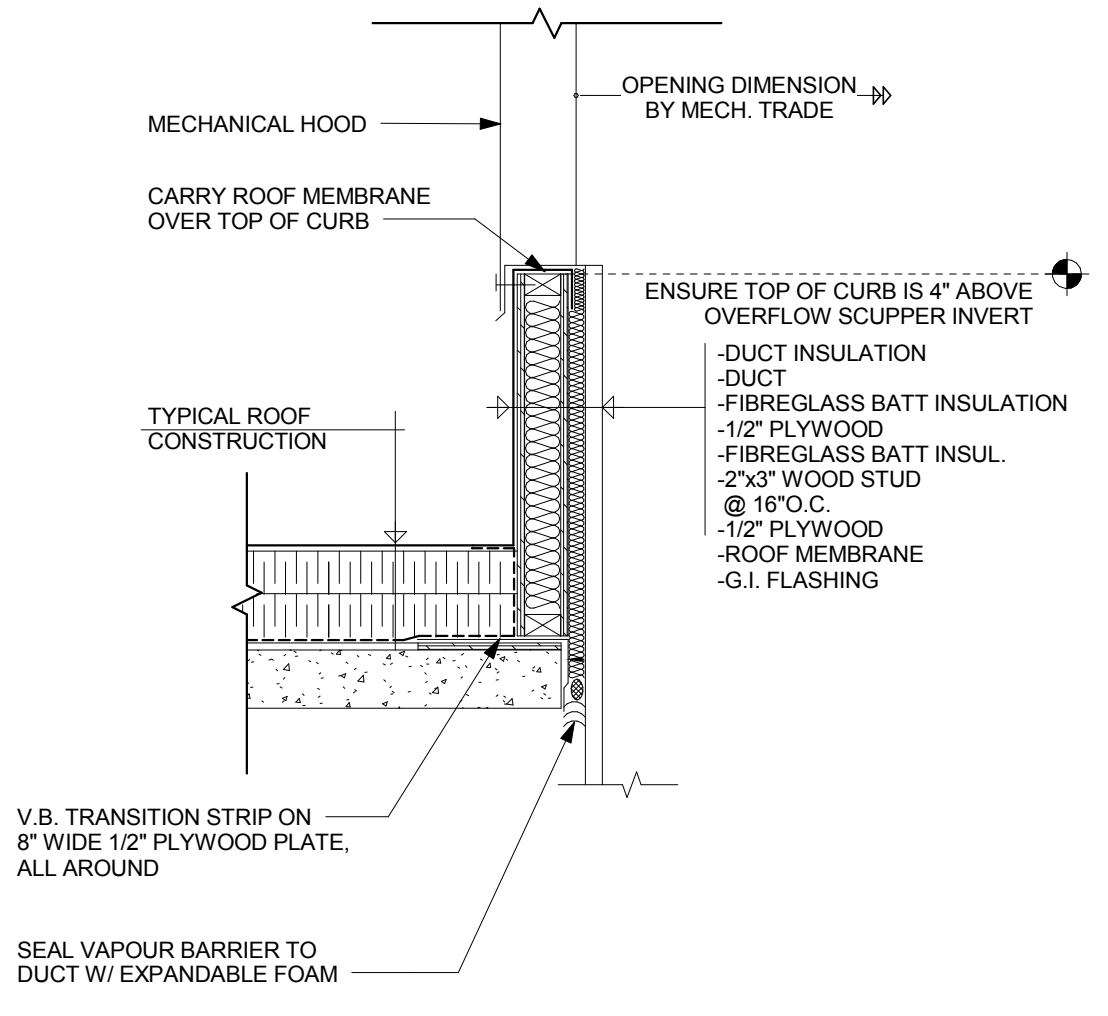
REVISION NO.	DESCRIPTION	REVISED/ISSUED/PLOTTED



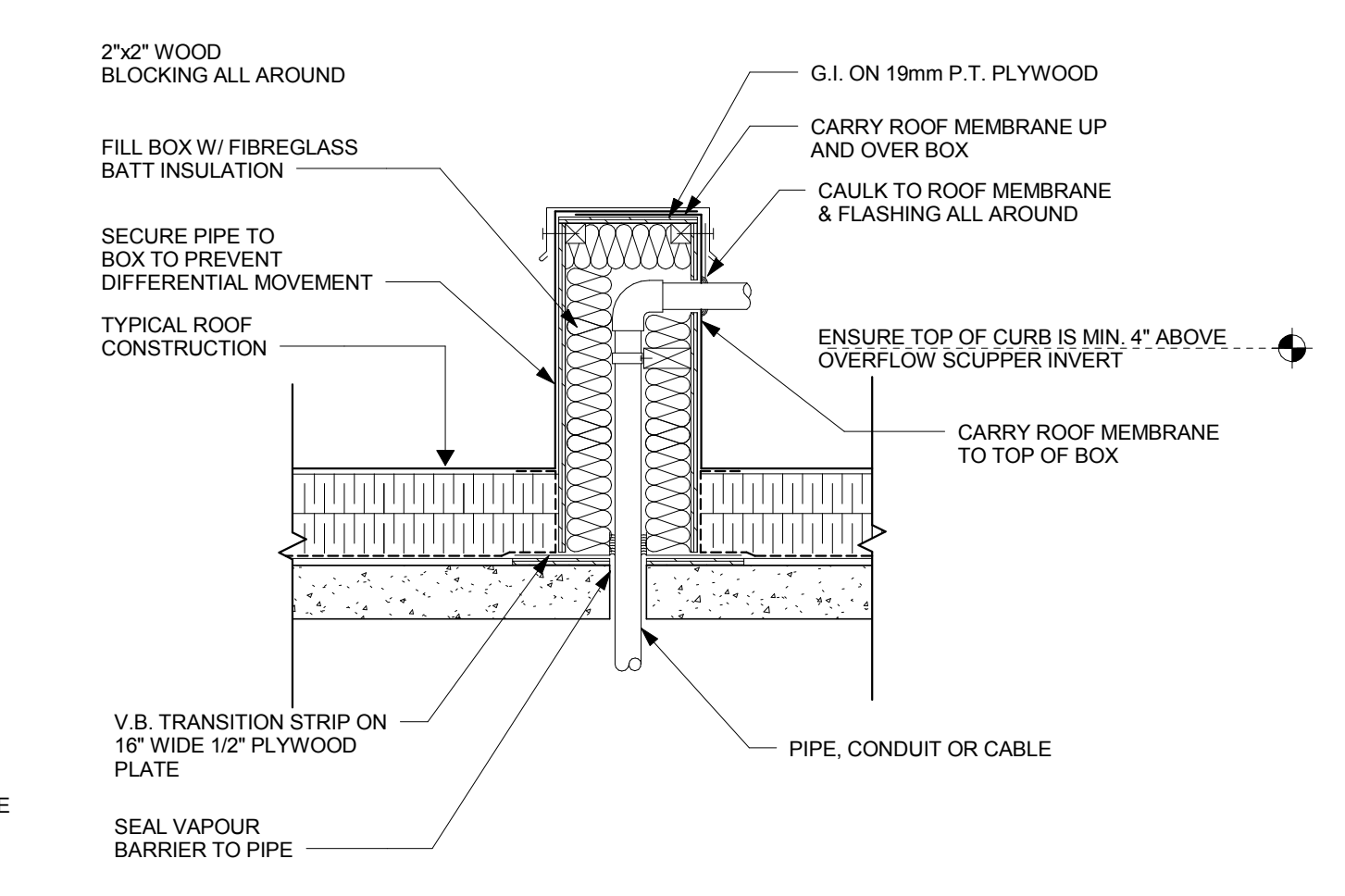
1 SECTION @ EXISTING PARAPET AND ROOF DRAIN
 A5.5 1" = 1'-0"



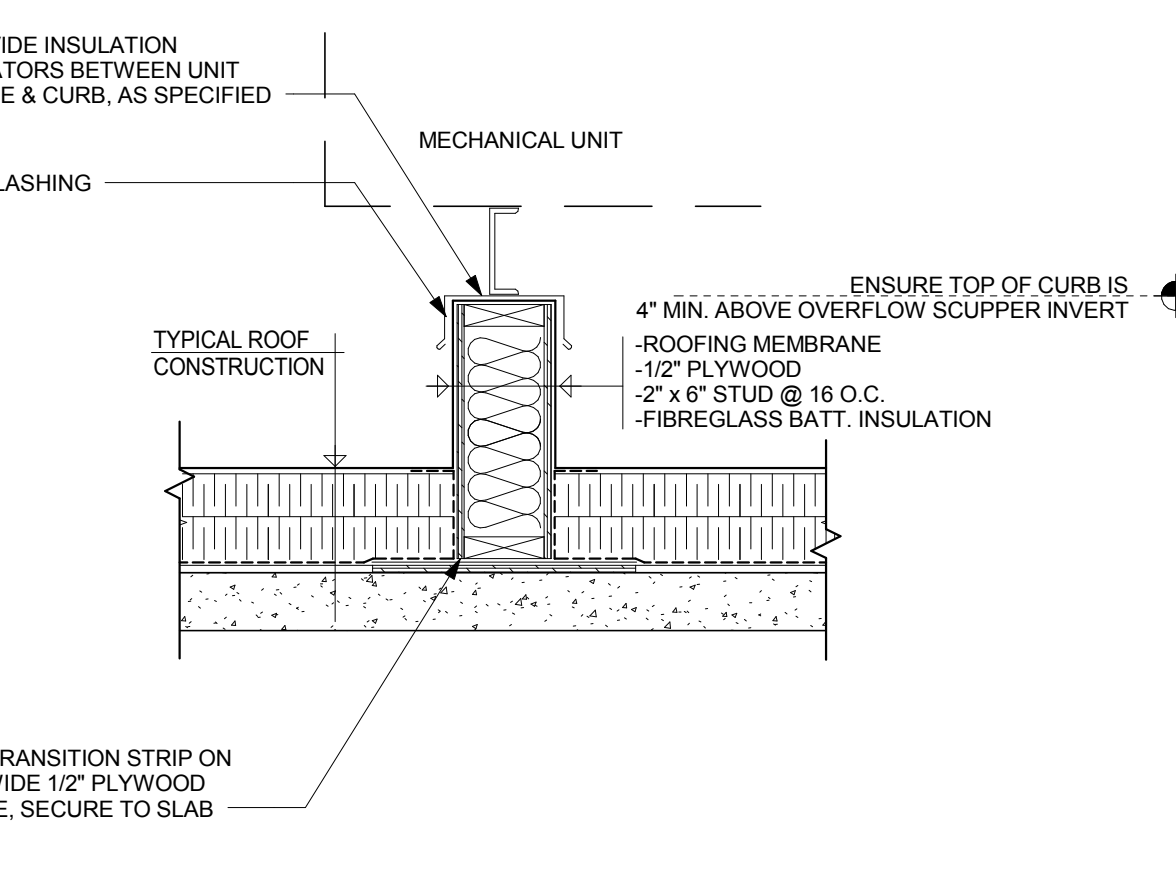
4 CHIMNEY PENETRATION
 A5.5 1" = 1'-0"



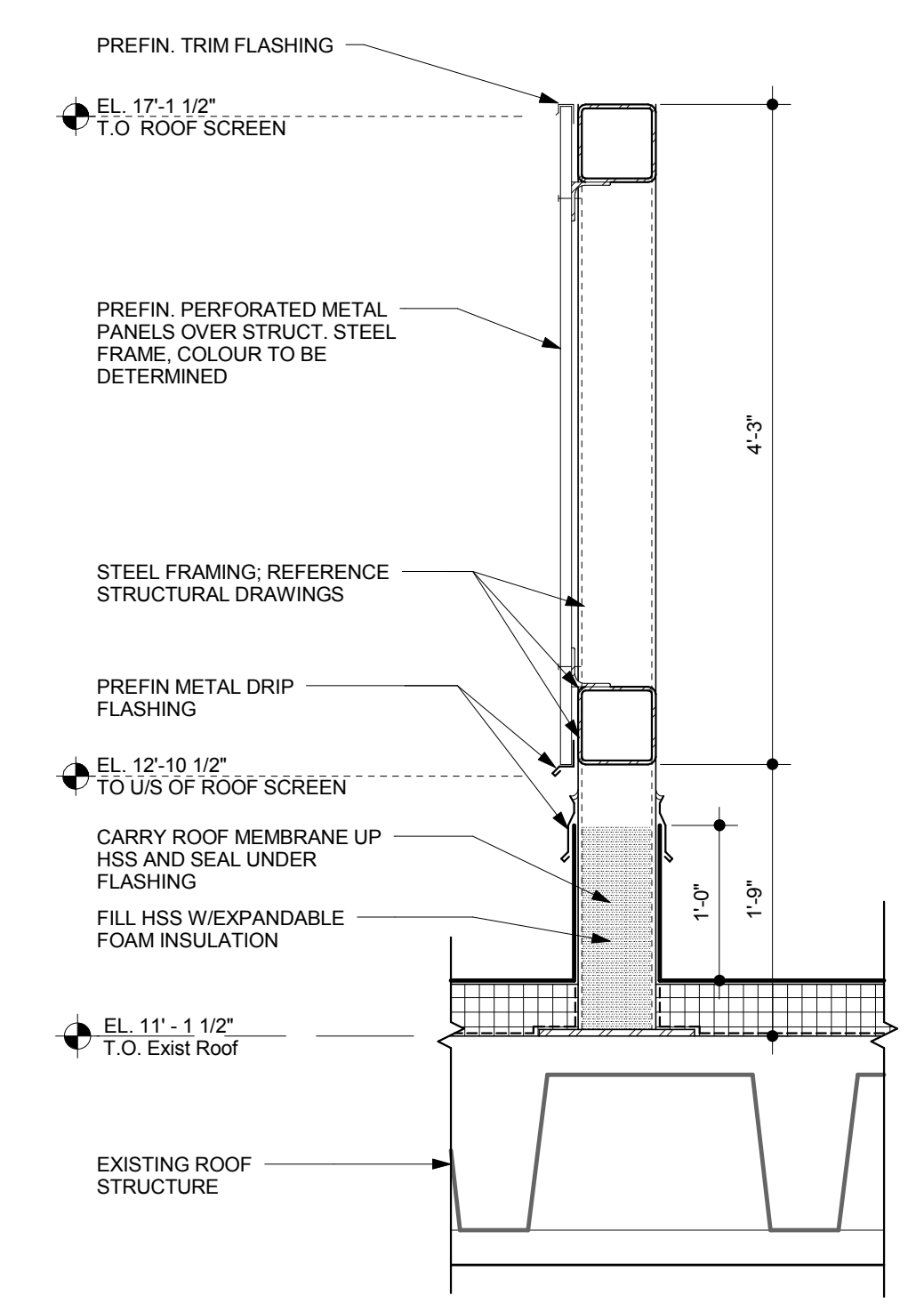
5 DUCT PENETRATION
 A5.5 1" = 1'-0"



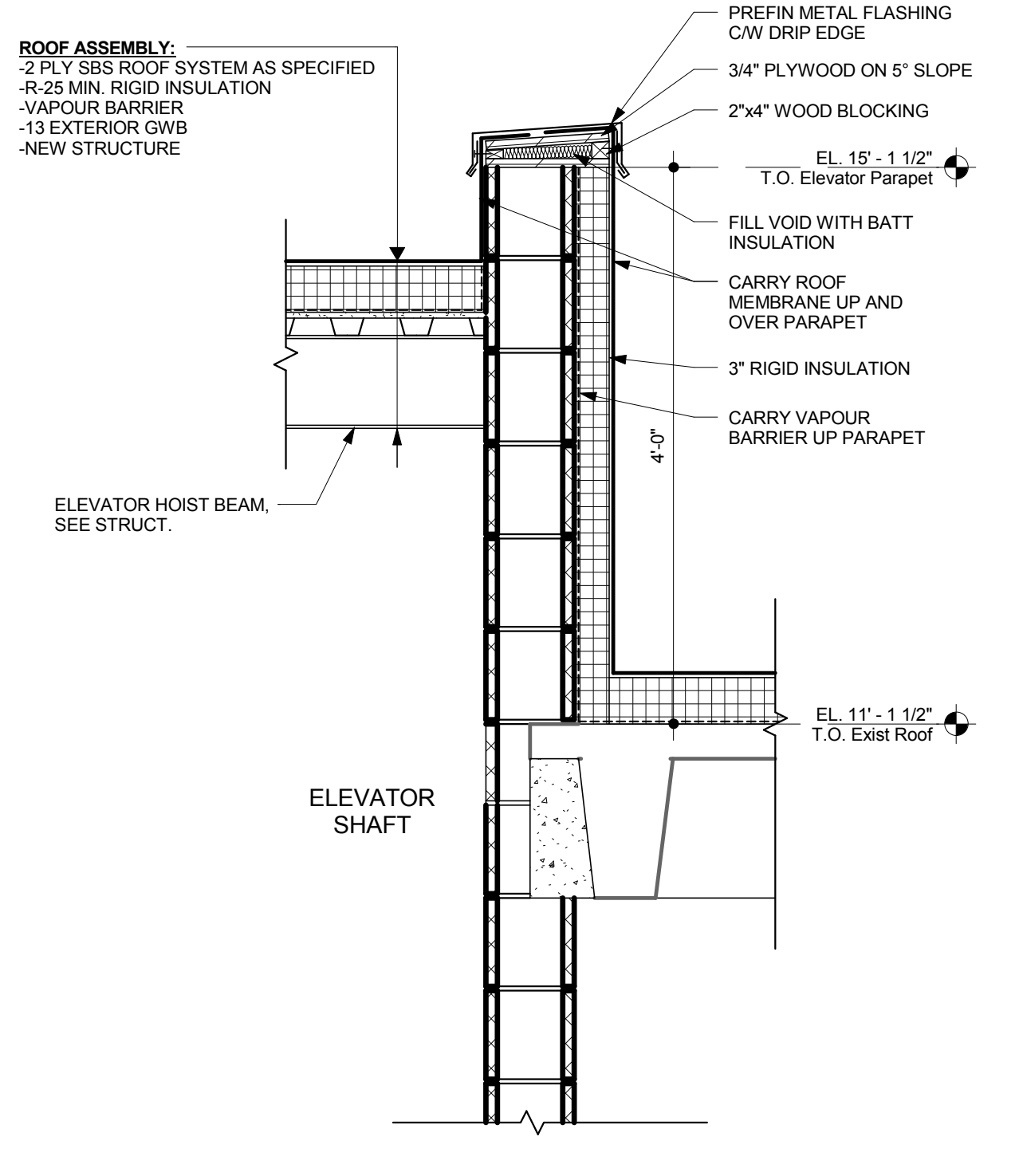
6 SERVICE PENETRATION
 A5.5 1" = 1'-0"



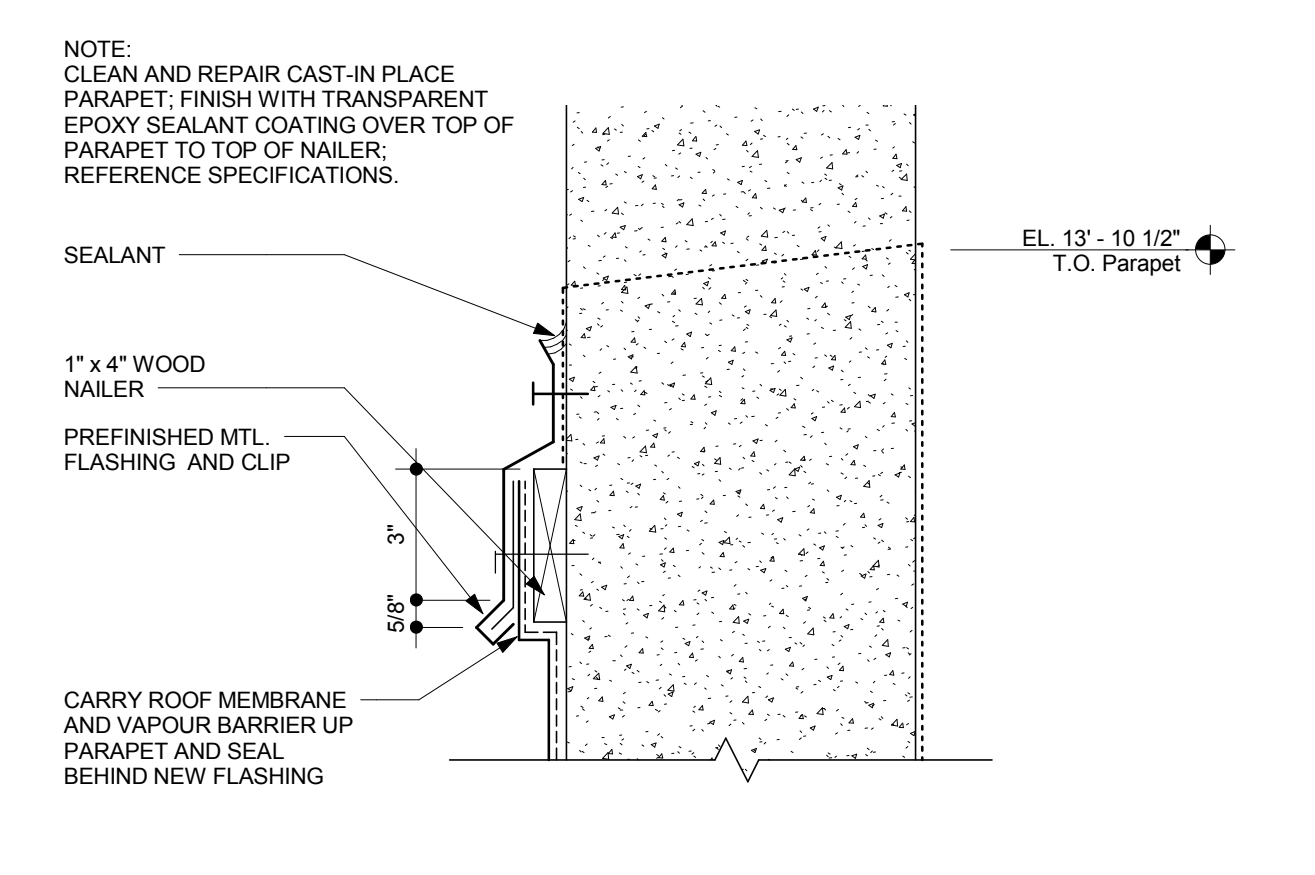
7 MECHANICAL EQUIPMENT SUPPORT
 A5.5 1" = 1'-0"



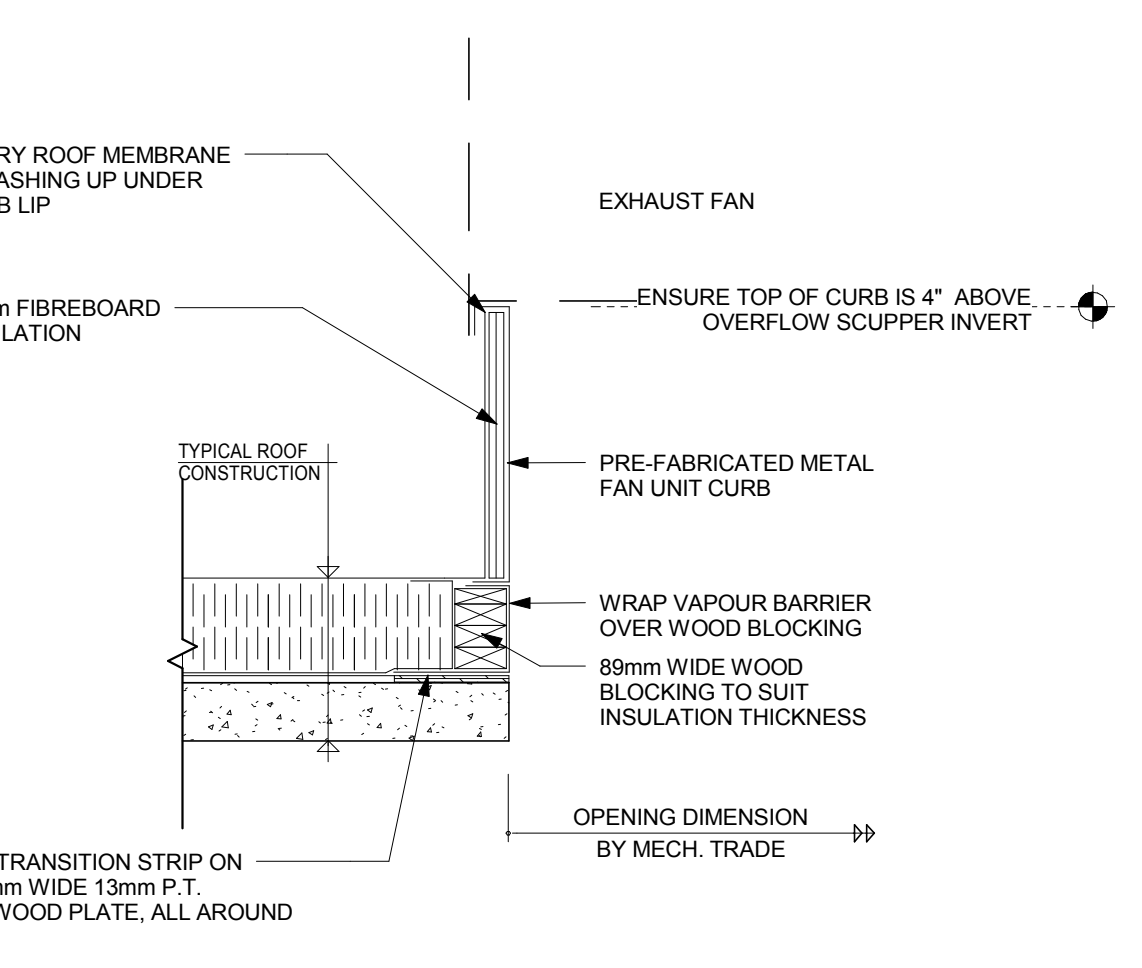
2 DETAIL @ ROOF SCREEN
 A5.5 1" = 1'-0"



3 DETAIL @ ELEVATOR PARAPET
 A5.5 1" = 1'-0"



88 ENLARGED DETAIL @ EXISTING PARAPET
 A5.5 3\"/>



99 EXHAUST FAN UNIT PRE-FABRICATED CURB
 A5.5 1" = 1'-0"

PRE-TENDER REVIEW SET

numberTEN
 architectural group
 winnipeg MB regina SK victoria BC
 204 942.0981 306 721.1501 250 360.2106
 architecture • interior design • graphic design

Peguis Pavillon Upgrades and Entry Addition
 Kildonan Park
 Winnipeg, Manitoba, Canada

Roof Details
 sheet title
 consultant

scale: As indicated
 date: NOV 21 2011
 checked by: Checker
 project no. 2011026
 sheet no. **A5.5**