

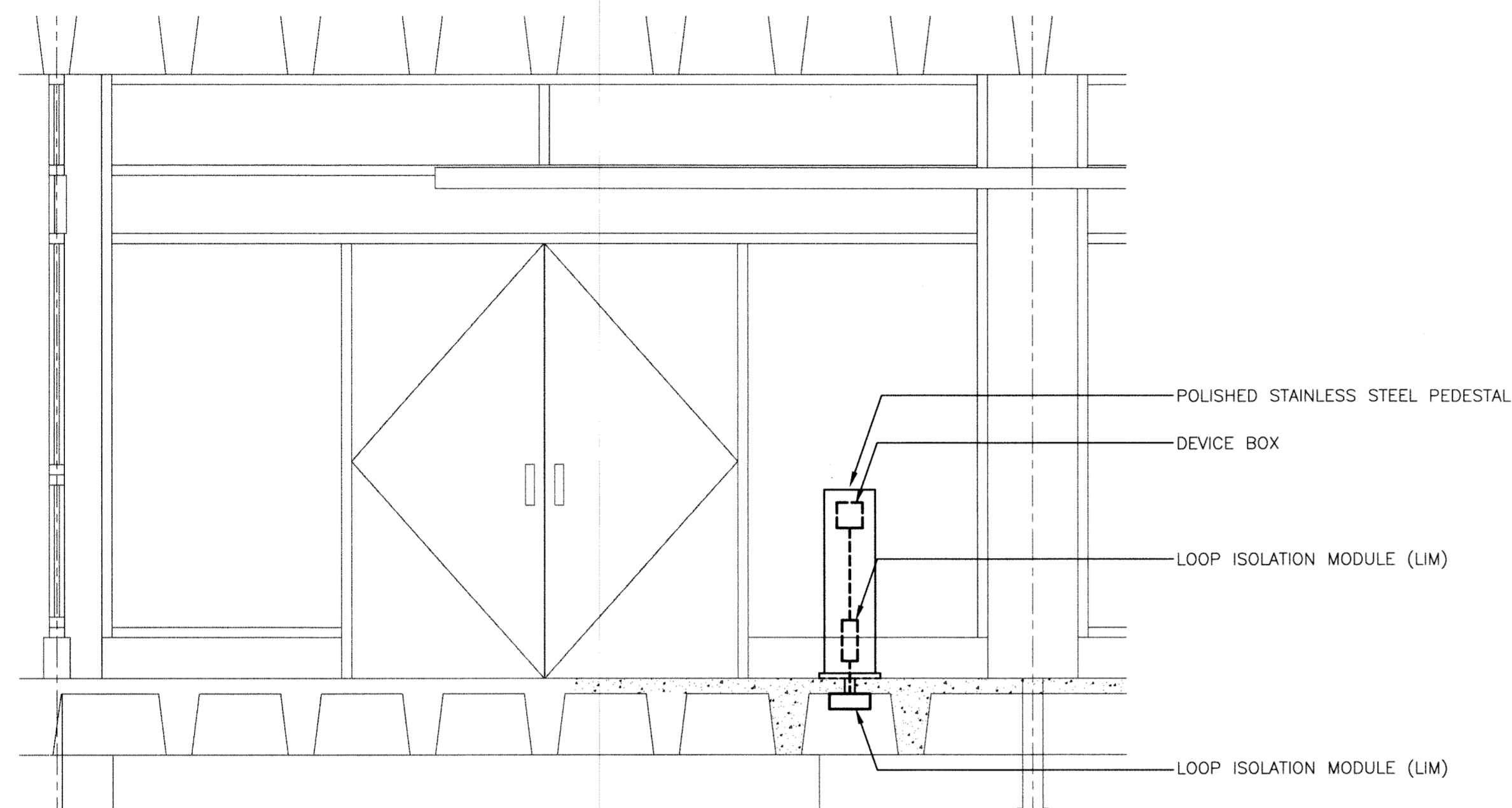
THIS DRAWING MUST NOT BE SCALED.
 THE GENERAL CONTRACTOR SHALL VERIFY ALL DIMENSIONS, DATUMS, AND LEVELS PRIOR TO COMMENCEMENT OF WORK. ALL ERRORS AND OMISSIONS TO BE REPORTED TO NUMBER TEN ARCHITECTURAL GROUP BEFORE PROCEEDING.
 VARIATIONS AND MODIFICATIONS TO WORK SHOWN ON THESE DRAWINGS SHALL NOT BE CARRIED OUT WITHOUT WRITTEN PERMISSION OF NUMBER TEN ARCHITECTURAL GROUP.
 THIS DRAWING IS THE EXCLUSIVE PROPERTY OF NUMBER TEN ARCHITECTURAL GROUP AND THE COPYRIGHT IN THE SAME BEING RESERVED TO THEM. IT MAY BE REPRODUCED ONLY WITH THE PERMISSION OF NUMBER TEN ARCHITECTURAL GROUP, IN WHICH CASE THE REPRODUCTION MUST BEAT THEIR NAME.

REVISED/ ISSUED/ PLOTTED	DATE

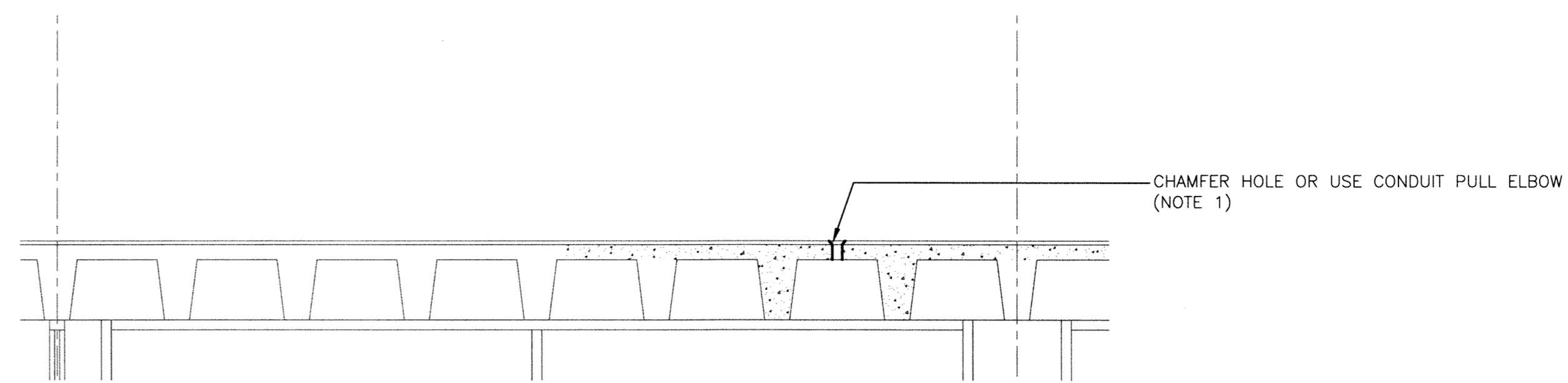
Rev. 0 - ISSUED FOR TENDER NOVEMBER 21/2011

NOTES:

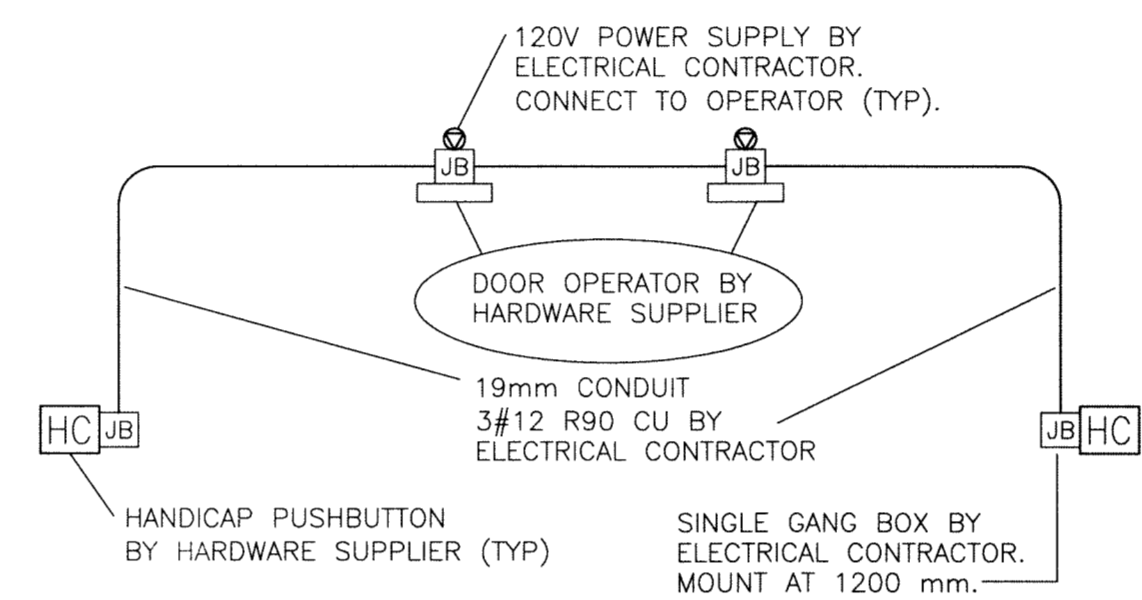
- ALL ROOF PENETRATIONS AND ABOVE ROOF WIRING SHALL BE COORDINATED WITH ROOFING CONTRACTOR TO GO ON UNDERSIDE OF THE BUILT-UP ROOF.



A FIRE ALARM PULLBOX PEDESTAL DETAIL
 E4.0 SCALE: N.T.S.



B TYPICAL ROOF PENETRATION DETAIL
 SCALE: N.T.S.



DETAIL 'C' NOTES:

- THIS CONTRACTOR TO MAKE ALL CONNECTIONS AND INSTALL ALL DEVICES AS SUPPLIED BY THE HARDWARE CONTRACTOR. INCLUDE ALL LOW VOLTAGE WIRING.
- INTERLOCK ALL DOOR OPERATORS ON CONTROLLED DOORS WITH CARD ACCESS SYSTEM.

C HANDICAP DOOR OPERATOR
 SCALE: N.T.S.

File Name: E:\Projects\2011\11-0902-04_DocControl\ToBeIssued\DWG\11-0902-04_E12.0-Rev.0.dwg - Tab: E12.0 Plotted By: DDeroche 11/11/21 [Mon 12:52pm]
 24,385 / PLOT SCALE: 1:1

numberTEN
 architectural group
 winnipeg MB regina SK victoria BC
 204.942.0981 306.721.1501 250.360.2106
 architecture • interior design • graphic design

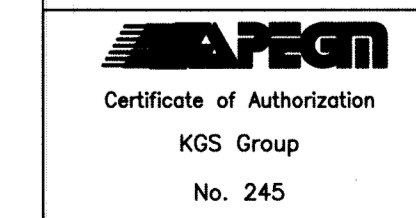
PEGUIS PAVILION
 UPGRADES AND ENTRY ADDITION
 BIDDING #913-2011

project
 MISCELLANEOUS ELECTRICAL DETAILS

sheet title

KGS GROUP | CONSULTING ENGINEERS

consultant



scale: N.T.S.
 date: November 03 2011
 drawn by: GCN
 checked by: [Signature]
 project no. 2011026
 sheet no. E12.0