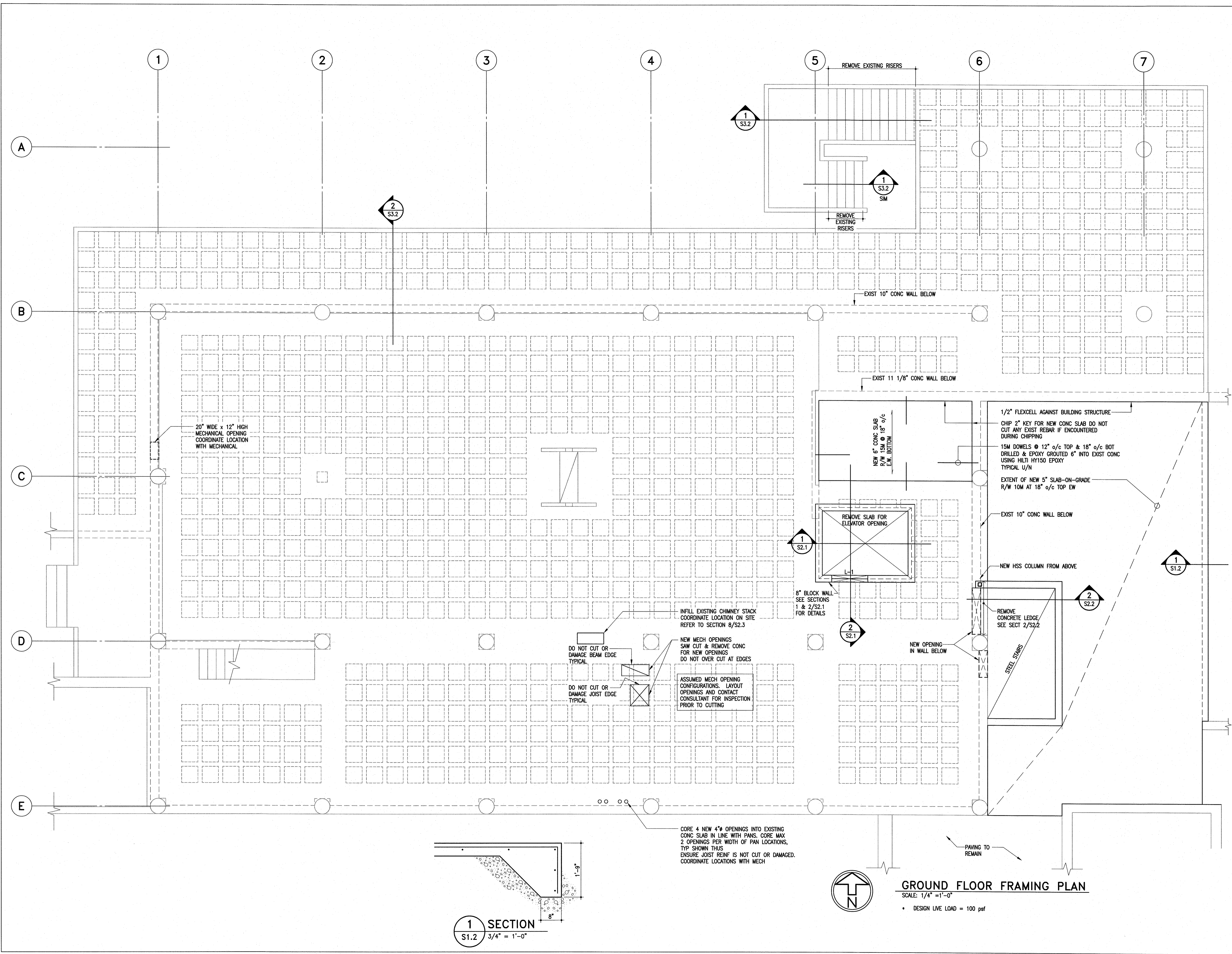


THIS DRAWING MUST NOT BE SCALED.  
 THE GENERAL CONTRACTOR SHALL VERIFY ALL DIMENSIONS, DATUMS, AND LEVELS PRIOR TO COMMENCEMENT OF WORK. ALL ERRORS AND OMISSIONS TO BE REPORTED TO NUMBER TEN ARCHITECTURAL GROUP BEFORE PROCEEDING.  
 VARIATIONS AND MODIFICATIONS TO WORK SHOWN ON THESE DRAWINGS SHALL NOT BE CARRIED OUT WITHOUT WRITTEN PERMISSION OF NUMBER TEN ARCHITECTURAL GROUP.  
 THIS DRAWING IS THE EXCLUSIVE PROPERTY OF NUMBER TEN ARCHITECTURAL GROUP AND THE COPYRIGHT IN THE SAME BEING RESERVED TO THEM. IT MAY BE REPRODUCED ONLY WITH THE PERMISSION OF NUMBER TEN ARCHITECTURAL GROUP, IN WHICH CASE THE REPRODUCTION MUST BEAR THEIR NAME.

REVISED/ ISSUED/ PLOTTED	DATE
ISSUED FOR TENDER	NOV 21, 2011

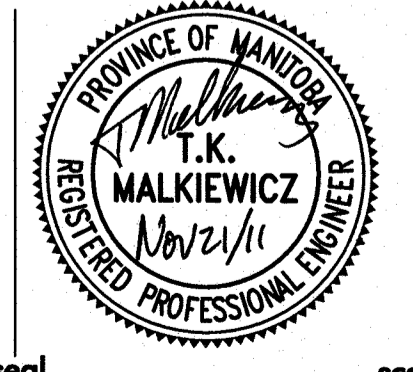


**APEGM**  
 Certificate of Authorization  
 Crosier Kilgour & Partners Ltd.  
 No. 235 Date: Nov 21, 2011

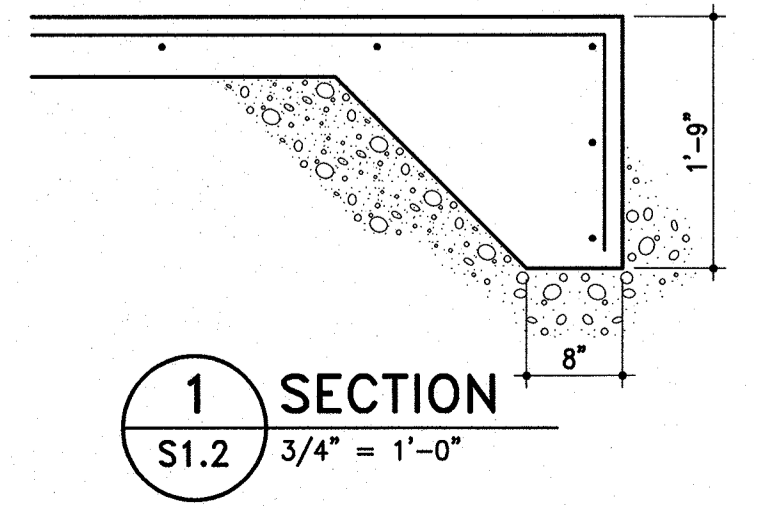
**numberTEN**  
 architectural group  
 winnipeg MB regina SK victoria BC  
 204 942.0981 306 721.1501 250 360.2106  
 architecture • interior design • graphic design

**PEGUIS PAVILION**  
 UPGRADES AND ENTRY ADDITION  
 BIDDING #913-2011

**GROUND FLOOR FRAMING PLAN**  
 sheet title  
 300-275 Carlton Street  
 Winnipeg, Manitoba R2C 2A6  
 T 204 943 7503  
 F 204 943 7507  
 2011 0492  
 Crosier Kilgour & Partners Ltd.  
 CONSULTING STRUCTURAL ENGINEERS



seal  
 drawn by: MS  
 checked by: TKM  
 project no. 2011026  
 scale: AS NOTED  
 date: November 21, 2011  
 sheet no. S1.2



**GROUND FLOOR FRAMING PLAN**  
 SCALE: 1/4" = 1'-0"  
 • DESIGN LIVE LOAD = 100 psf