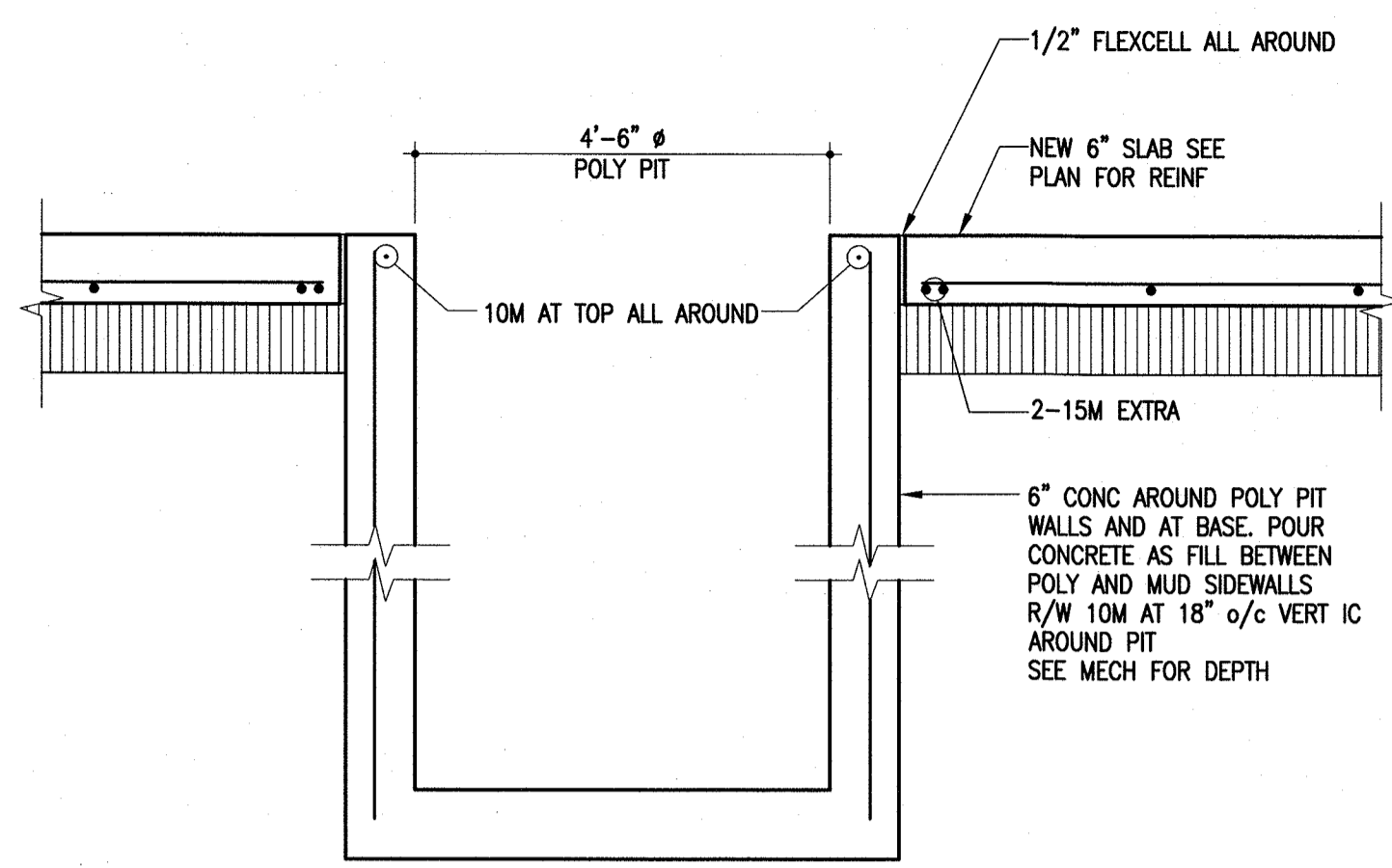
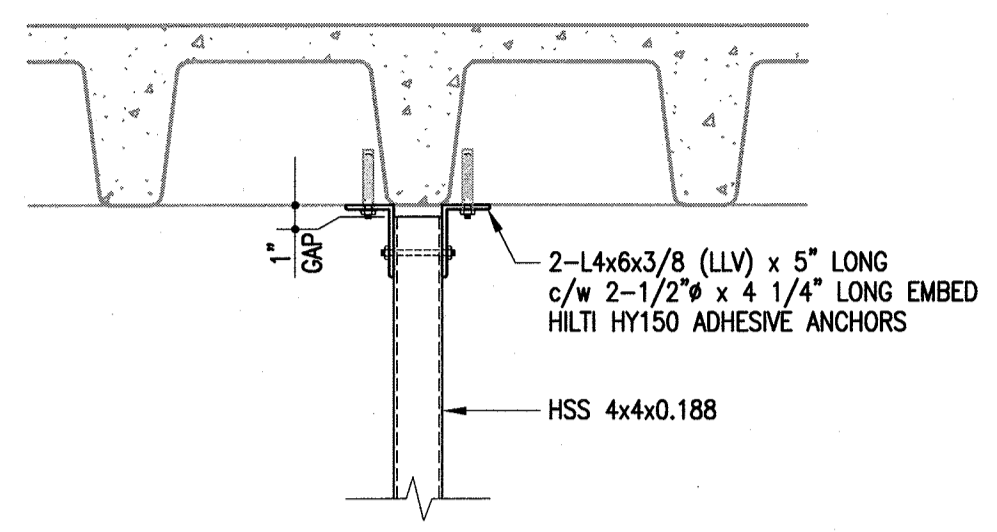


THIS DRAWING MUST NOT BE SCALED.
 THE GENERAL CONTRACTOR SHALL VERIFY ALL DIMENSIONS, DATINGS, AND LEVELS PRIOR TO COMMENCEMENT OF WORK. ALL ERRORS AND OMISSIONS TO BE REPORTED TO NUMBER TEN ARCHITECTURAL GROUP BEFORE PROCEEDING.
 VARIATIONS AND MODIFICATIONS TO WORK SHOWN ON THESE DRAWINGS SHALL NOT BE CARRIED OUT WITHOUT WRITTEN PERMISSION OF NUMBER TEN ARCHITECTURAL GROUP.
 THIS DRAWING IS THE EXCLUSIVE PROPERTY OF NUMBER TEN ARCHITECTURAL GROUP AND THE COPYRIGHT IN THE SAME BEING RESERVED TO THEM. IT MAY BE REPRODUCED ONLY WITH THE PERMISSION OF NUMBER TEN ARCHITECTURAL GROUP, IN WHICH CASE THE REPRODUCTION MUST BEAR THEIR NAME.

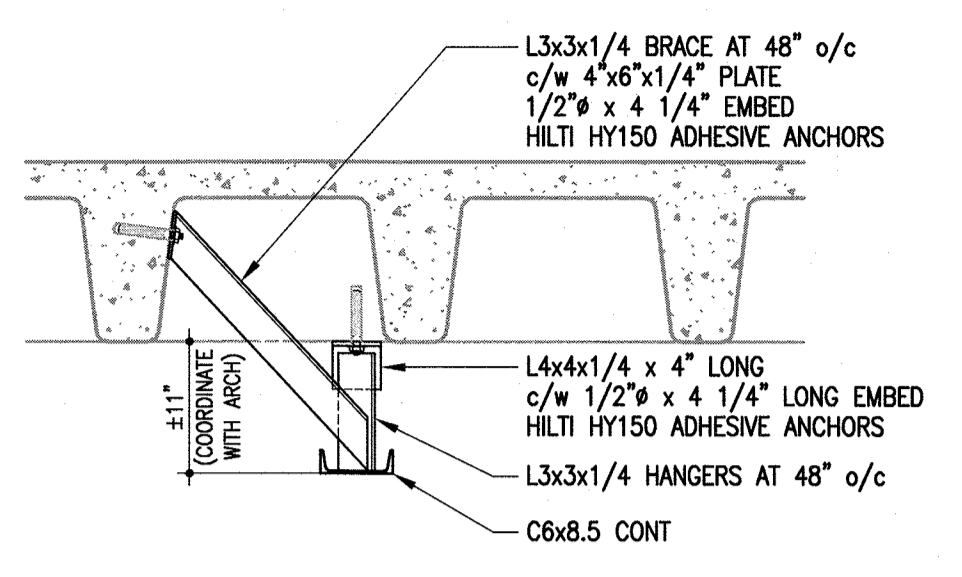
REVISED/ ISSUED/ PLOTTED	DATE
ISSUED FOR TENDER	NOV 21, 2011



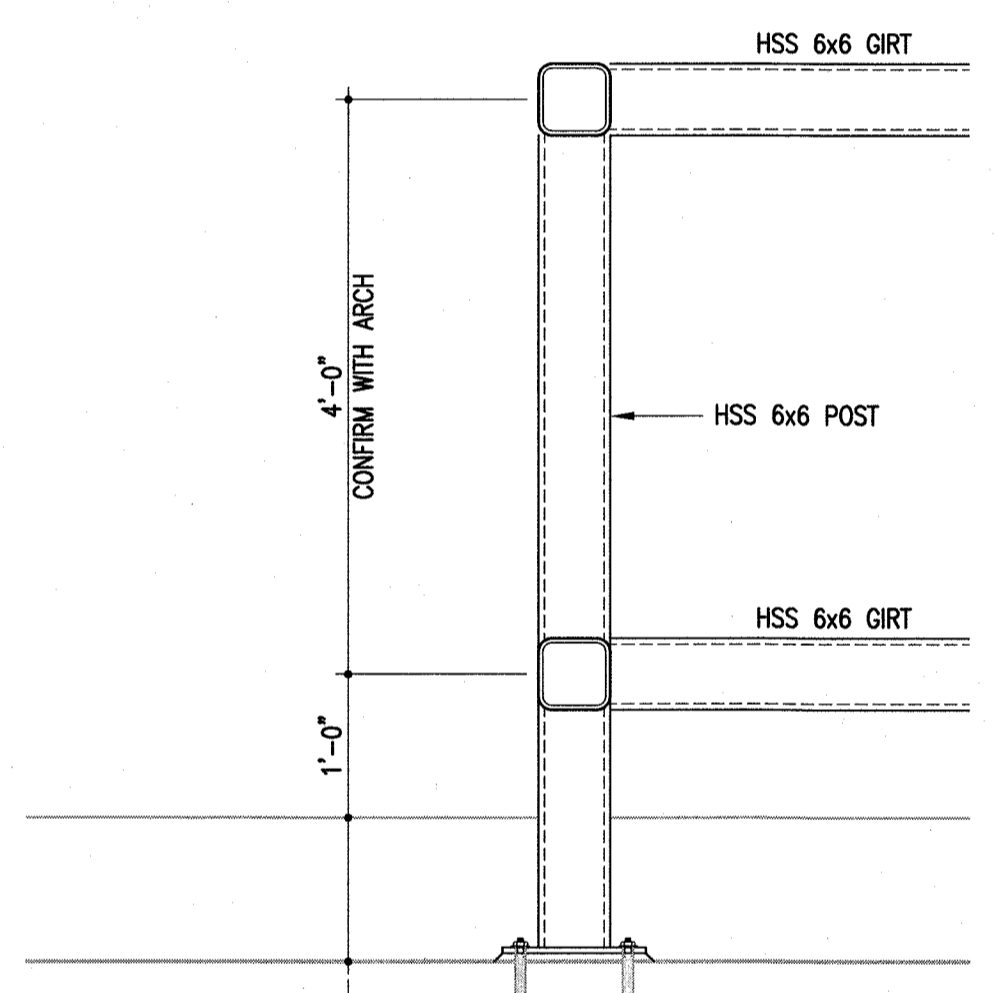
1 SECTION
 S2.3 1/2" = 1'-0"



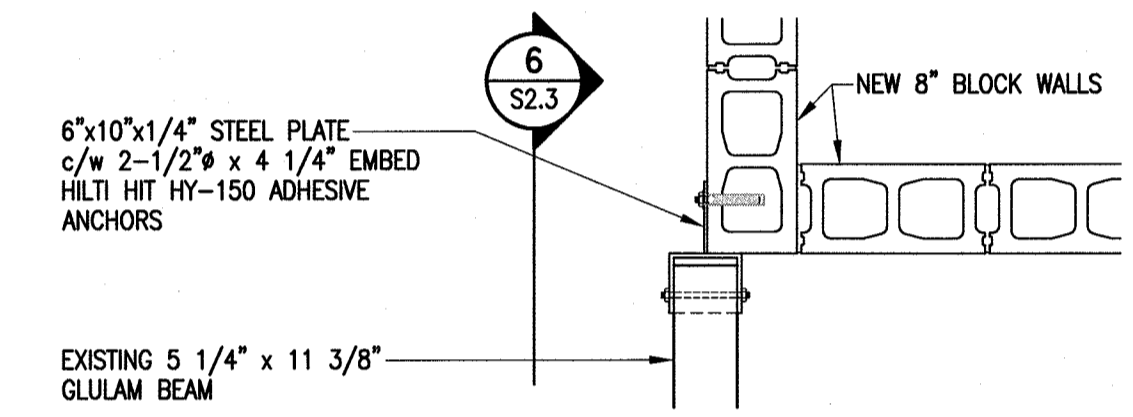
2 SECTION
 S2.3 3/4" = 1'-0"



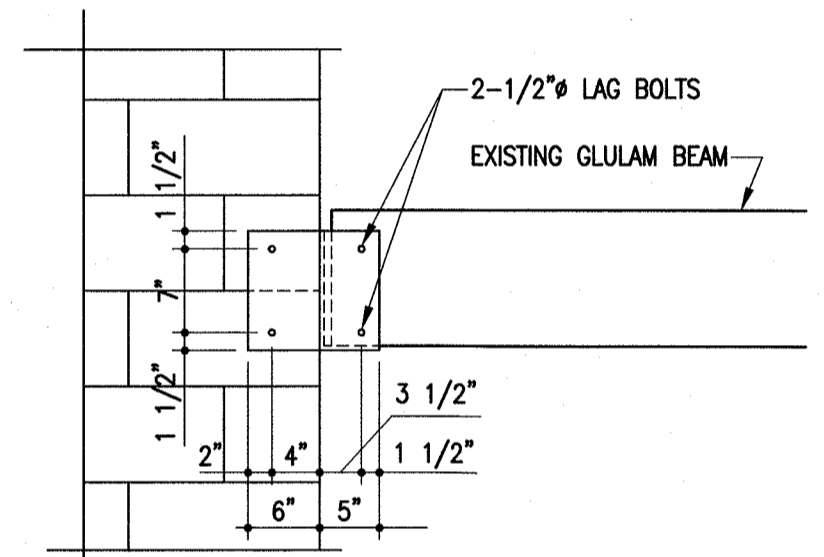
3 SECTION
 S2.3 3/4" = 1'-0"



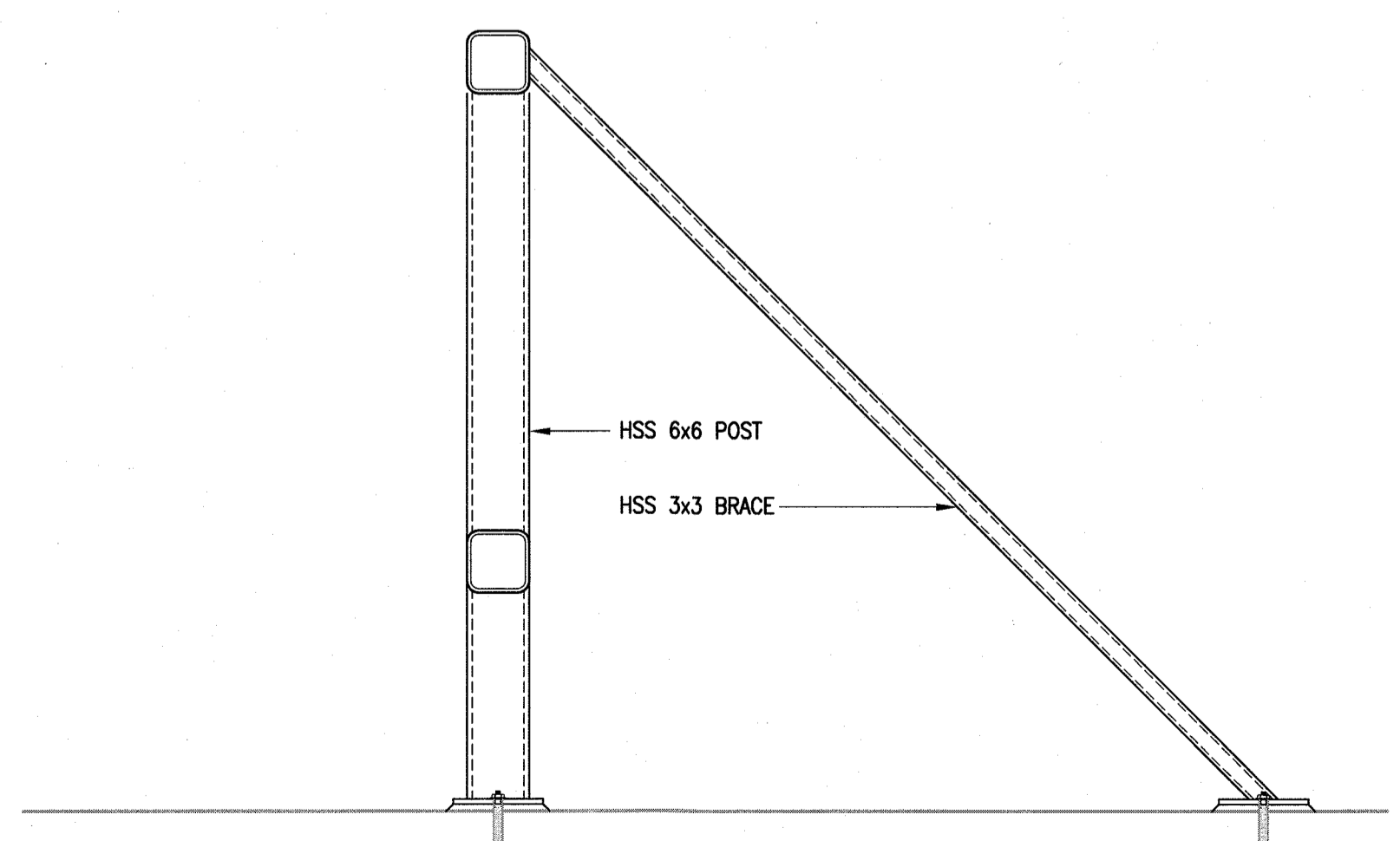
4 SECTION
 S2.3 1/2" = 1'-0"



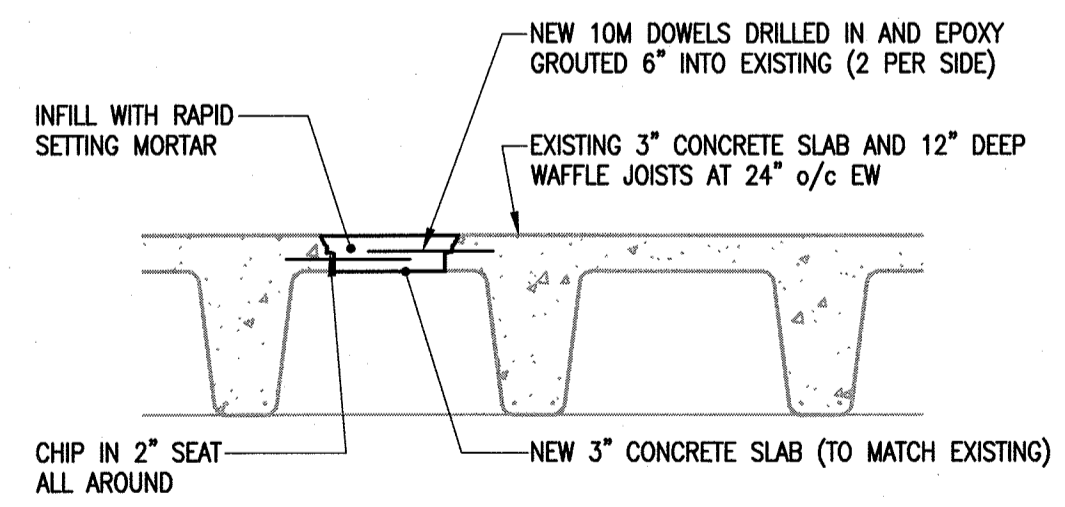
5 SECTION
 S2.3 3/4" = 1'-0"



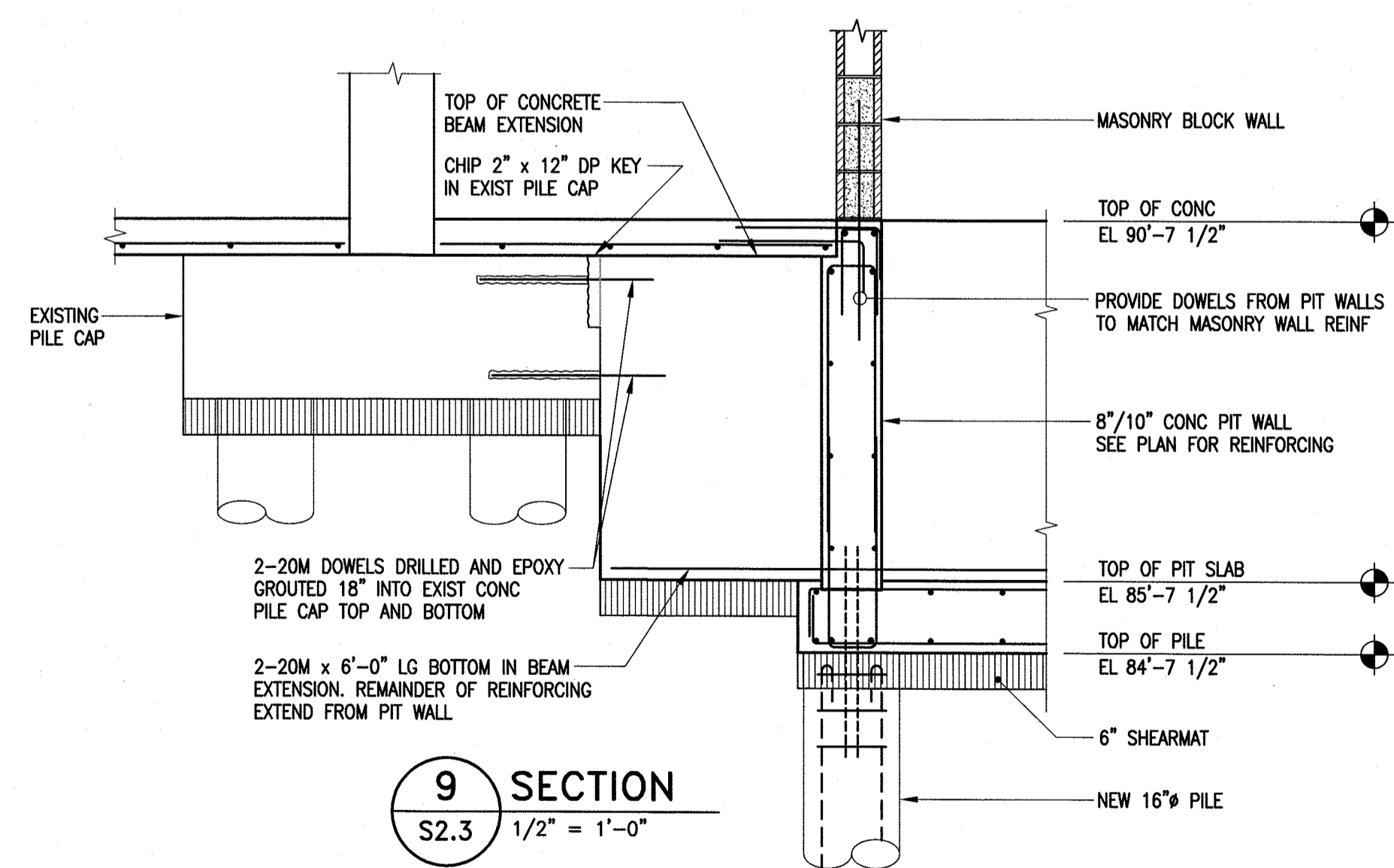
6 SECTION
 S2.3 3/4" = 1'-0"



7 SECTION
 S2.3 1/2" = 1'-0"



8 SECTION
 S2.3 3/4" = 1'-0"



9 SECTION
 S2.3 1/2" = 1'-0"

APEGM
 Certificate of Authorization
 Crosier Kilgour & Partners Ltd.
 No. 235 Date: Nov 21, 2011

numberTEN
 architectural group
 winnipeg MB regina SK victoria BC
 204 942.0981 306 721.1501 250 360.2106
 architecture • interior design • graphic design

PEGUIS PAVILION
 UPGRADES AND ENTRY ADDITION
 BIDDING #913-2011

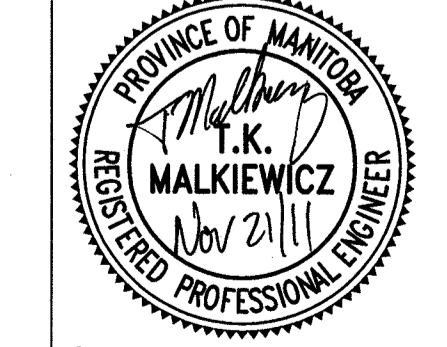
project SECTIONS

sheet title

300-275 Carlton Street
 Winnipeg, Manitoba R3C 5R6
 T 204.942.7903
 F 204.942.7507
 2011.0492

Crosier Kilgour & Partners Ltd.
 CONSULTING STRUCTURAL ENGINEERS

consultant



scale: AS NOTED
 date: January 30, 2012
 drawn by: MS
 checked by: TKM
 project no.: 2011026
 sheet no.: **S2.3**