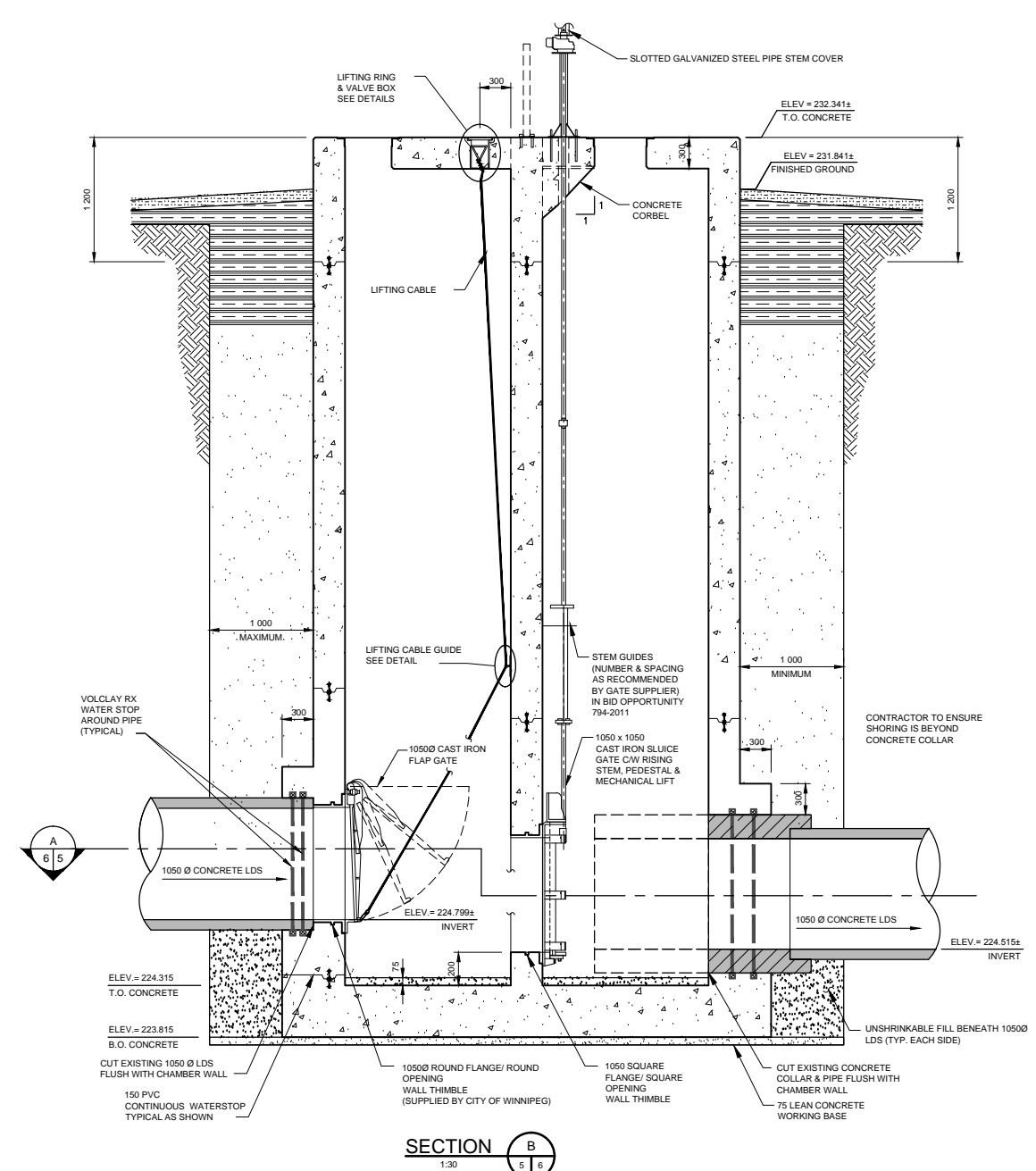
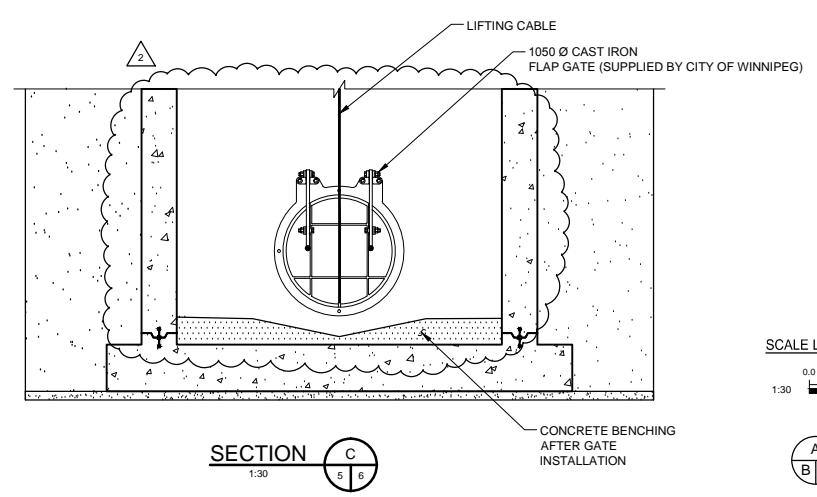


SECTION A  
1:30

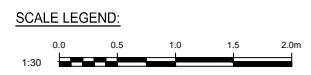


SECTION B  
1:30



SECTION C  
1:30

NOTE:  
ALL GATES ARE PROVIDED BY THE CITY BID OPPORTUNITY No. 794-2011



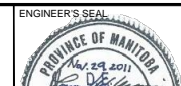
A = DETAIL/SECTION No.  
B = DRAWING WHERE SHOWN  
C = DRAWING WHERE TAKEN

METRIC  
WHOLE NUMBERS INDICATE MILLIMETRES  
DECIMALIZED NUMBERS INDICATE METRES

No.	REVISIONS	DATE	BY	DATE
1	ISSUED FOR TENDER	11.11.18	DM	
2	ISSUED FOR ADDENDUM 1	11.11.29	DM	



DESIGNED BY	MM	CHECKED BY	DM/CDP
DRAWN BY	KDB	APPROVED BY	DM
HOR. SCALE	AS NOTED	RELEASED FOR CONSTRUCTION	
VERT. SCALE	AS NOTED		



BID OPPORTUNITY: 938-2011  
PLOT DATE: 2011.11.29

THE CITY OF WINNIPEG  
WASTE AND WATER DEPARTMENT

OUTFALL GATE CHAMBERS CONSTRUCTION & UPGRADES  
MINNETONKA STREET & RIVER ROAD  
NEW LDS OUTFALL GATE CHAMBER



CONSULTANT DRAWING No.: 5511125-6  
SHEET 6 OF 10  
CITY DRAWING No.: LD-5712

CONCRETE DETAILS (SHEET 2 OF 2)

last saved November 29, 2011, 1:03:03 AM by BEHARADIK  
 C:\Users\11125\Documents\Construction\MMM Drawings\551125 minnetonka gate chambers\_11125.tbl.dwg

NOTE:  
These design documents are prepared solely for the use by the party with whom the design professional has entered into a contract and there are no representations of any kind made by the design professional to any party with whom the design professional has not entered into a contract.