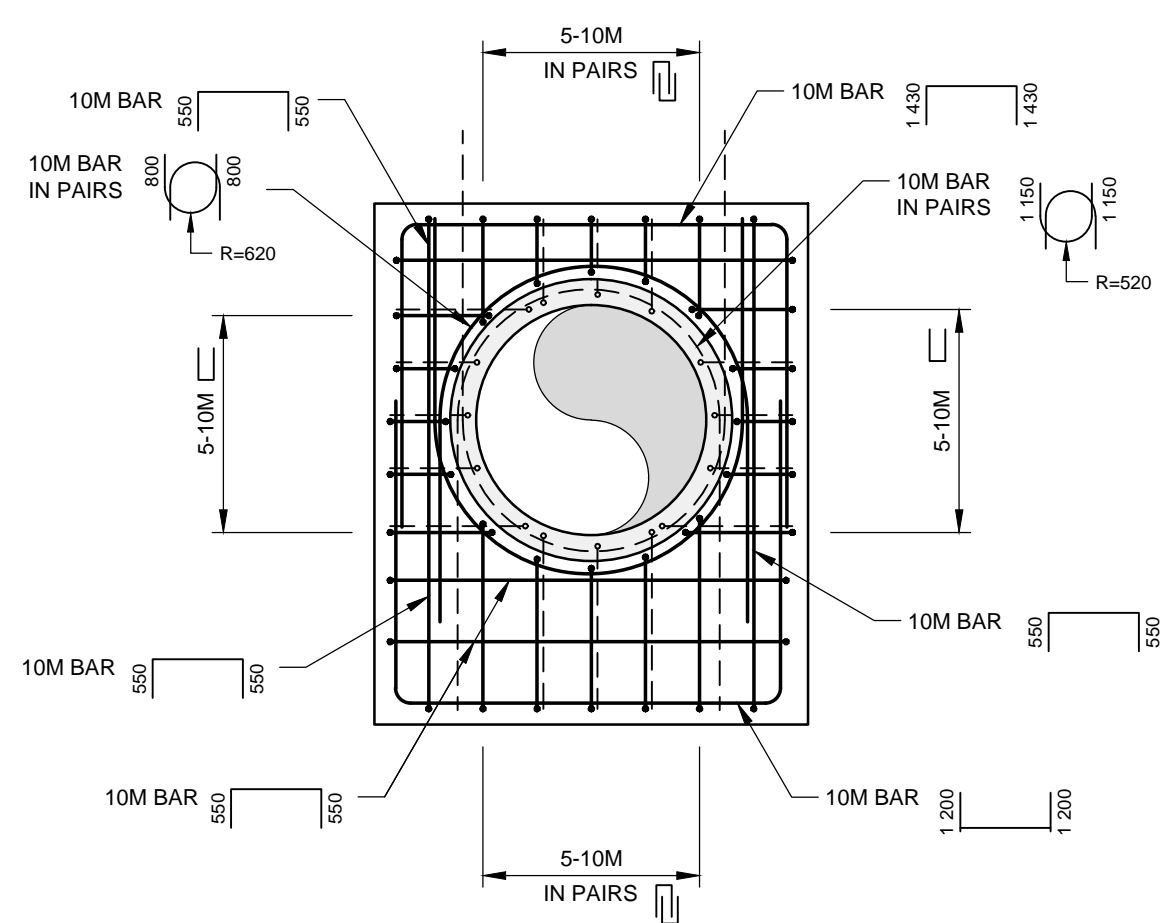


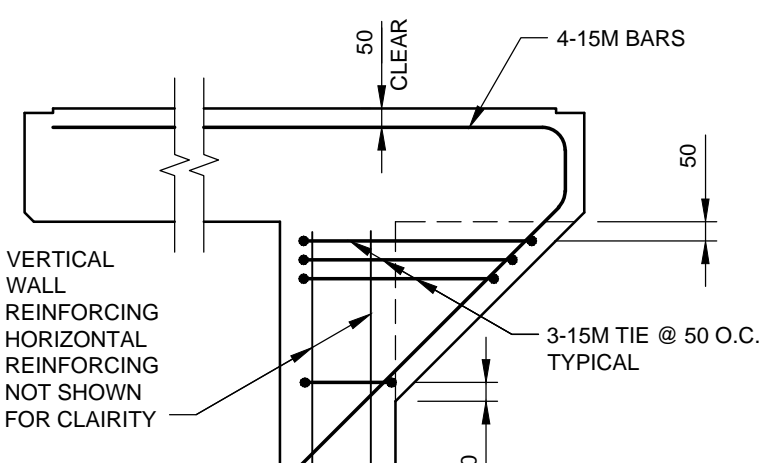
ROOF SLAB REINFORCING PLAN

1:30



ELEVATION 1

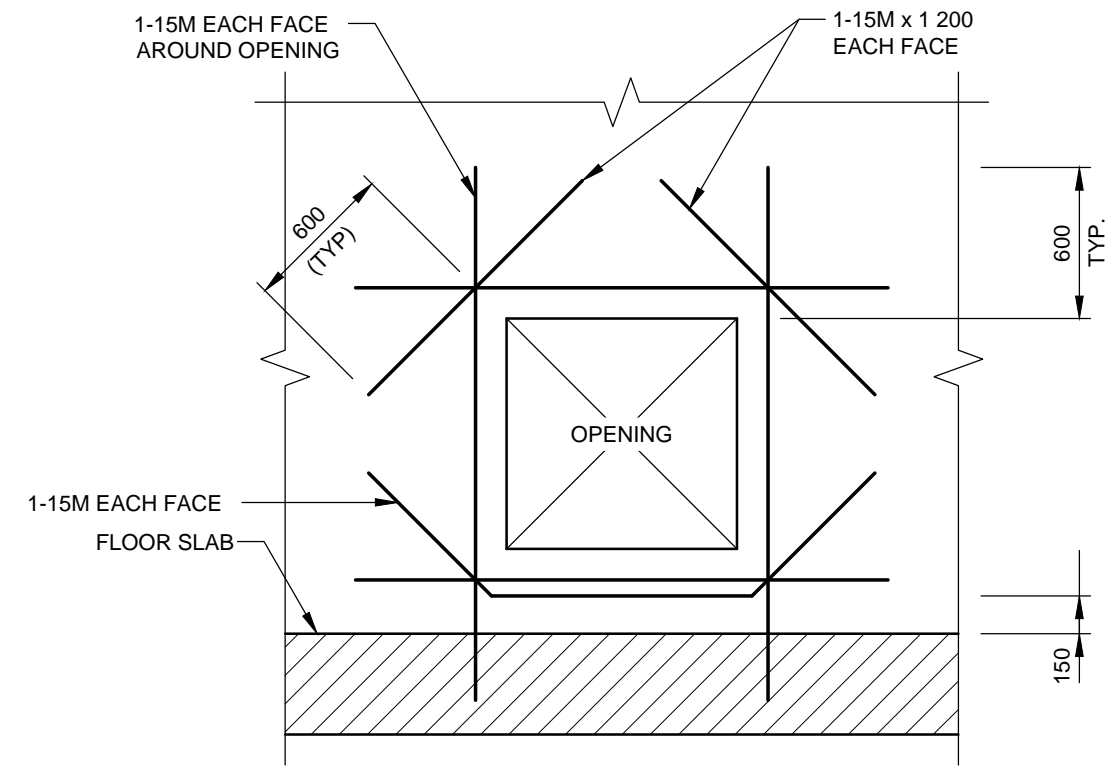
1:30



DETAIL 3

1:20

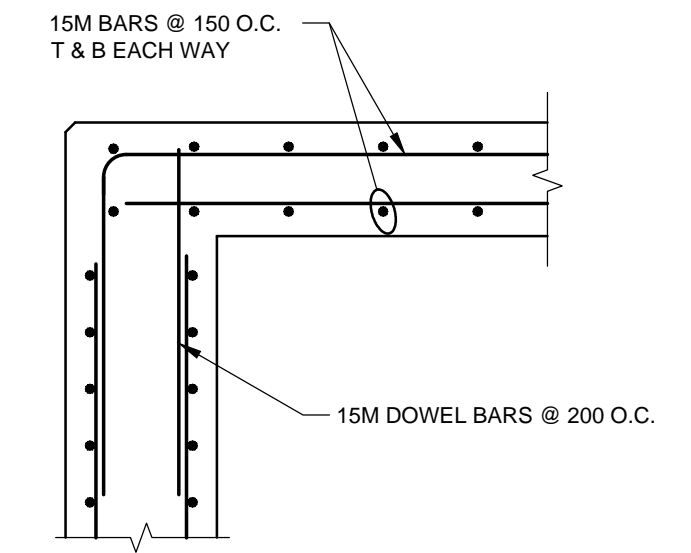
NOTE: ROOF SLAB REINFORCING NOT SHOWN FOR CLARITY



ELEVATION 2

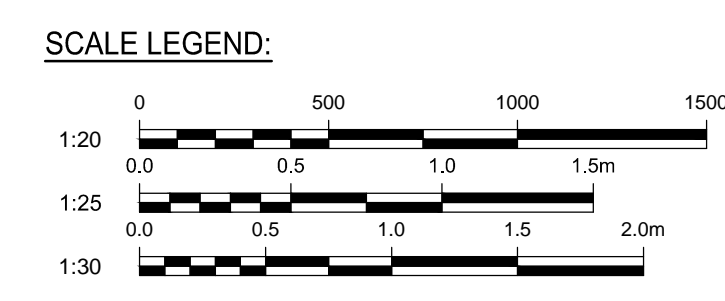
1:30

NOTE: WALL AND SLAB REINFORCING NOT SHOWN FOR CLARITY



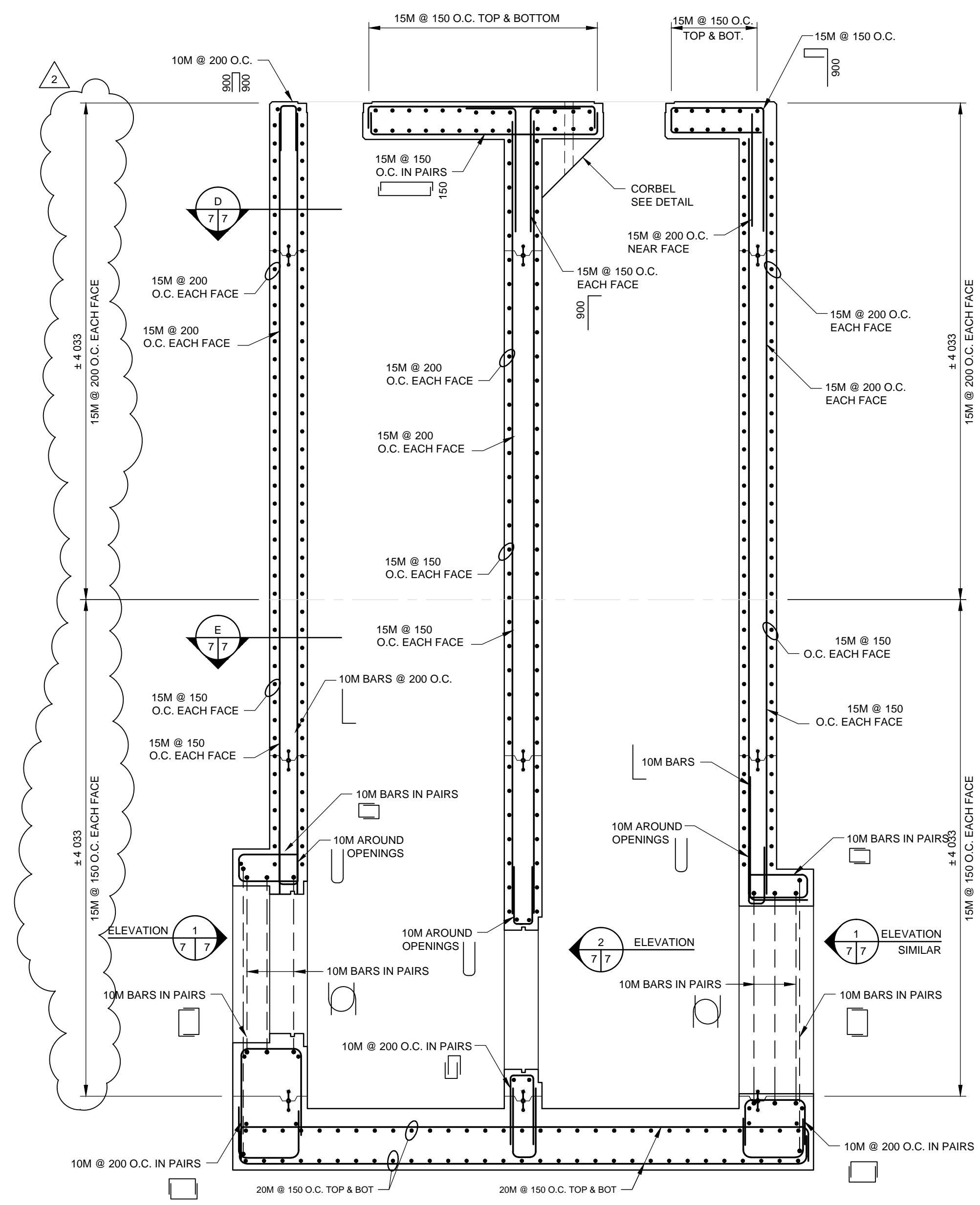
SECTION B

1:20



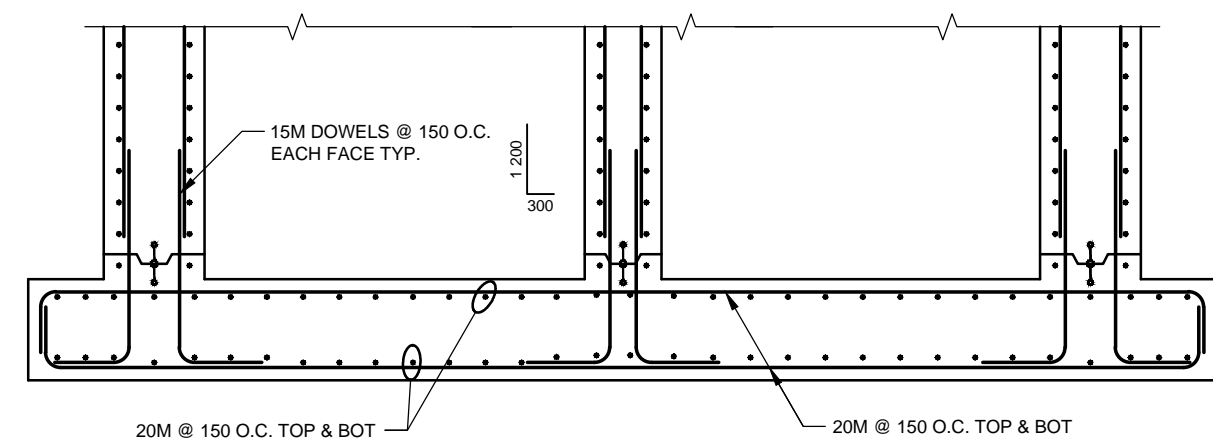
A = DETAIL/SECTION No.
B = DRAWING WHERE SHOWN
C = DRAWING WHERE TAKEN

METRIC
WHOLE NUMBERS INDICATE MILLIMETRES
DECIMALIZED NUMBERS INDICATE METRES



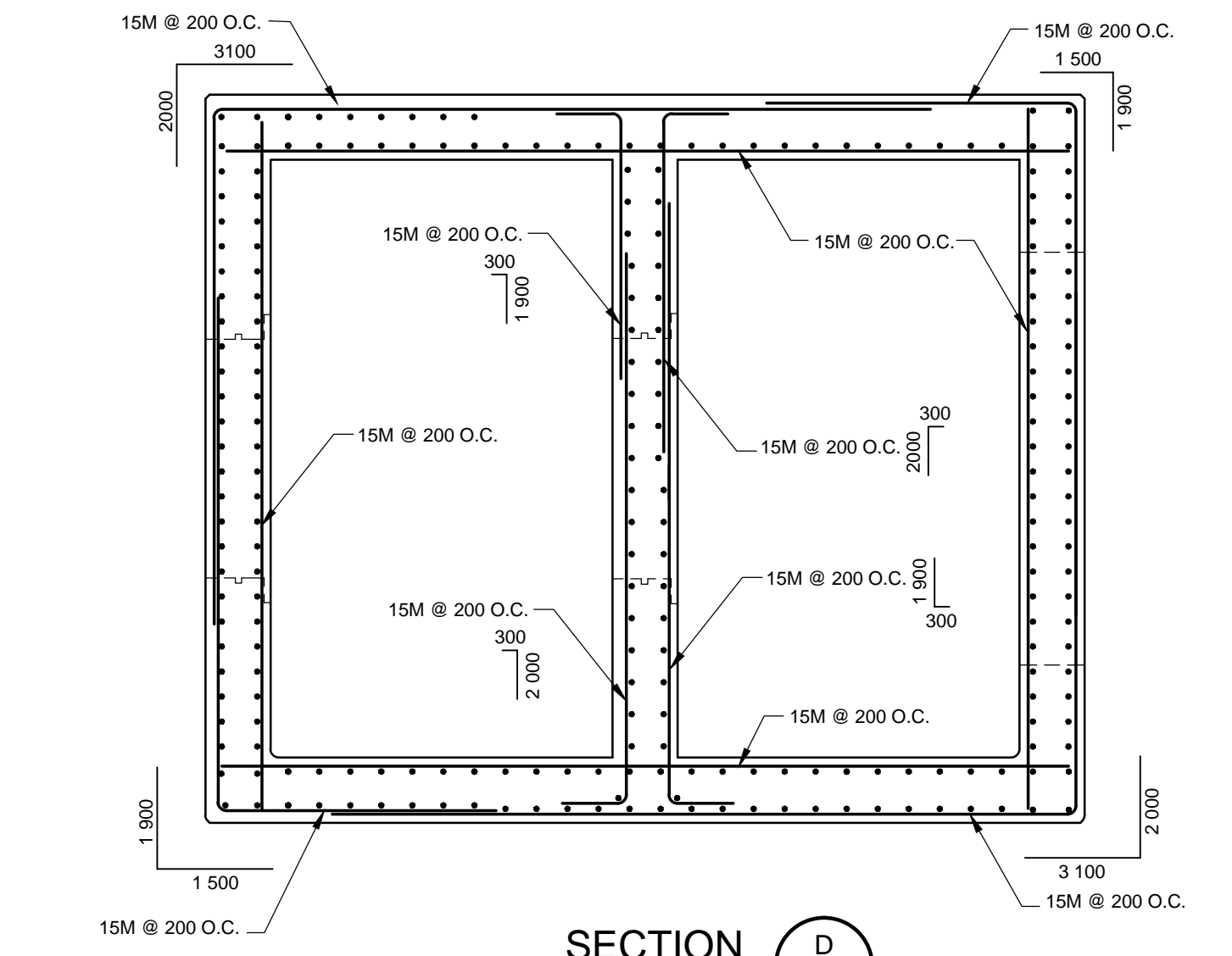
SECTION A (THROUGH C OF PIPE)

1:30



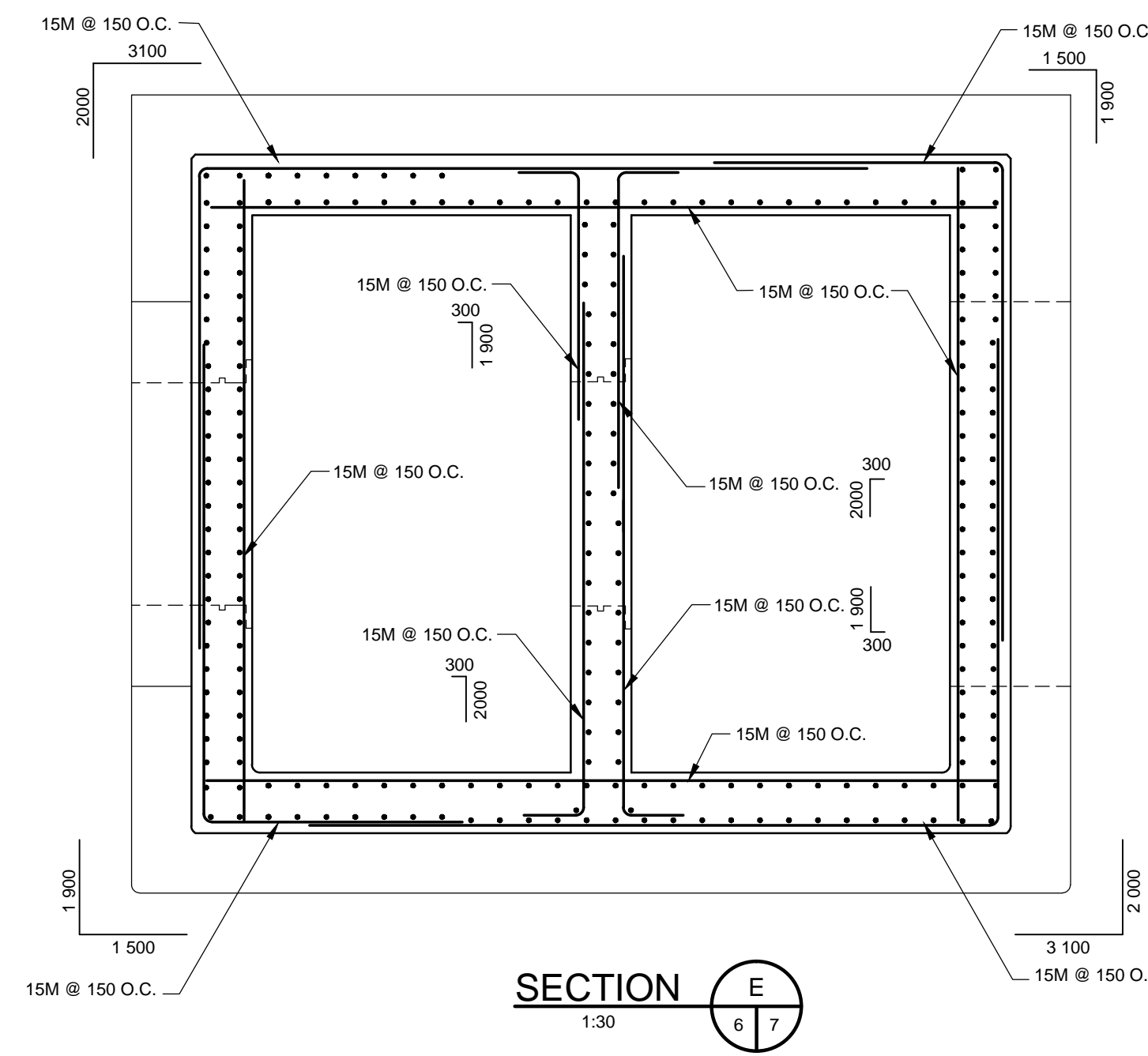
SECTION C

1:30



SECTION D

1:30



SECTION E

1:30



Last saved November 29, 2011 - 10:03 AM by BERNARDK... P:\5511125-551125\1125 - Minnetonka Gate Chambers Construction\MMM Drawings\551125 minnetonka gate chambers - 11.12.29 job.dwg

NOTE: These design documents are prepared solely for the use by the party with whom the design professional has entered into a contract and there are no representations of any kind made by the design professional to any party with whom the design professional has not entered into a contract.

				MMM Group Limited Suite 111 - 93 Lombard Ave. Winnipeg, MB R3B 3B1 T. 204.943.3178 F. 204.943.4948 www.mmm.ca			
DESIGNED BY	MM	CHECKED BY	DM/CDP	ENGINEER'S SEAL			
DRAWN BY	KDB	APPROVED BY	DM	THE CITY OF WINNIPEG WASTE AND WATER DEPARTMENT Winnipeg		CONSULTANT DRAWING No.: 551125-7	
HOR. SCALE	AS NOTED	RELEASED FOR CONSTRUCTION	OUTFALL GATE CHAMBERS CONSTRUCTION & UPGRADES MINNETONKA STREET & RIVER ROAD NEW LDS OUTFALL GATE CHAMBER		SHEET OF 7 10		
VERT. SCALE	AS NOTED	BID OPPORTUNITY: 938-2011 PLOT DATE: 2011.11.29		CITY DRAWING No.: LD-5713		REINFORCING DETAILS	
No.	REVISIONS	DATE	BY	DATE	DATE	2011.11.29	