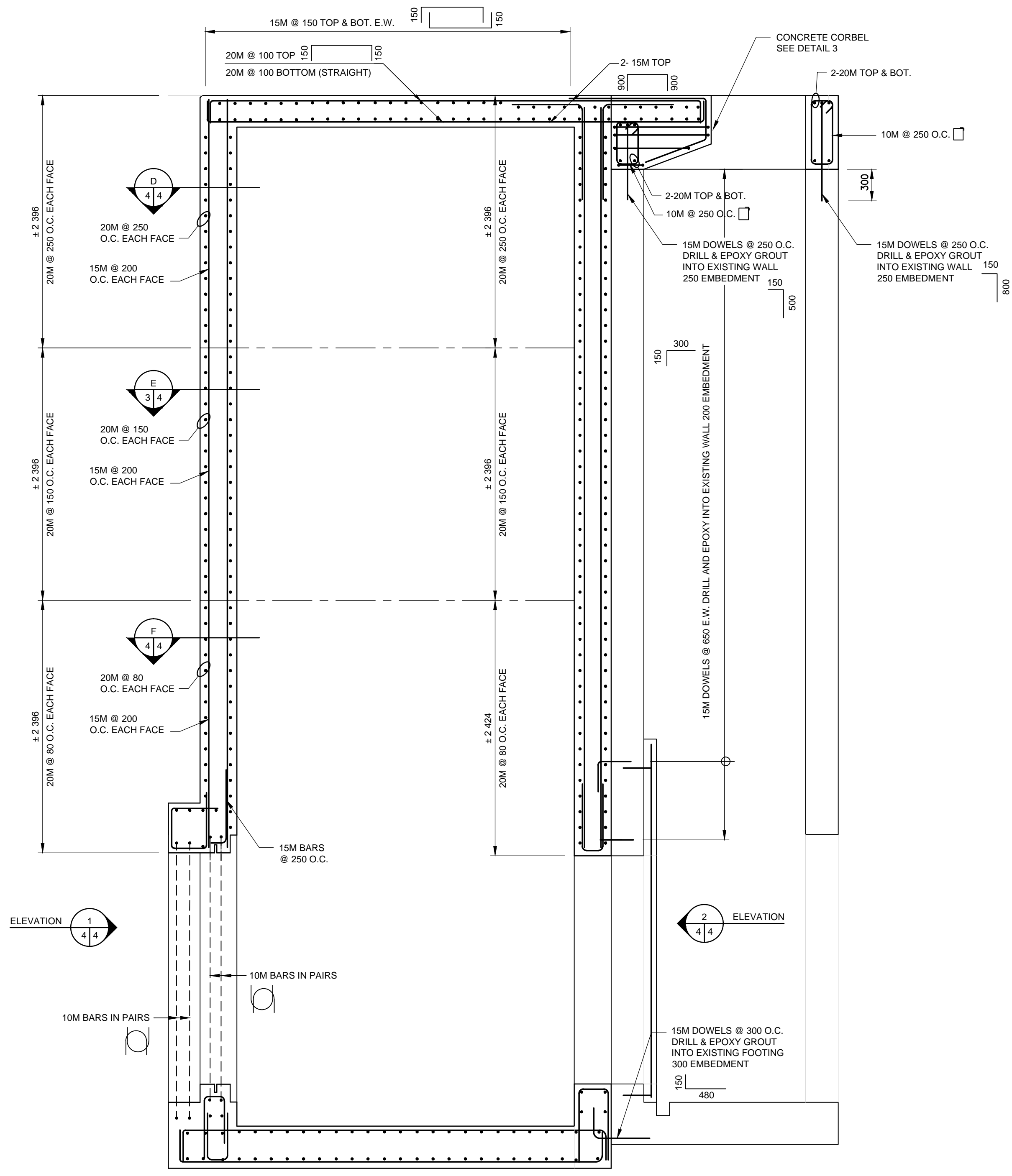
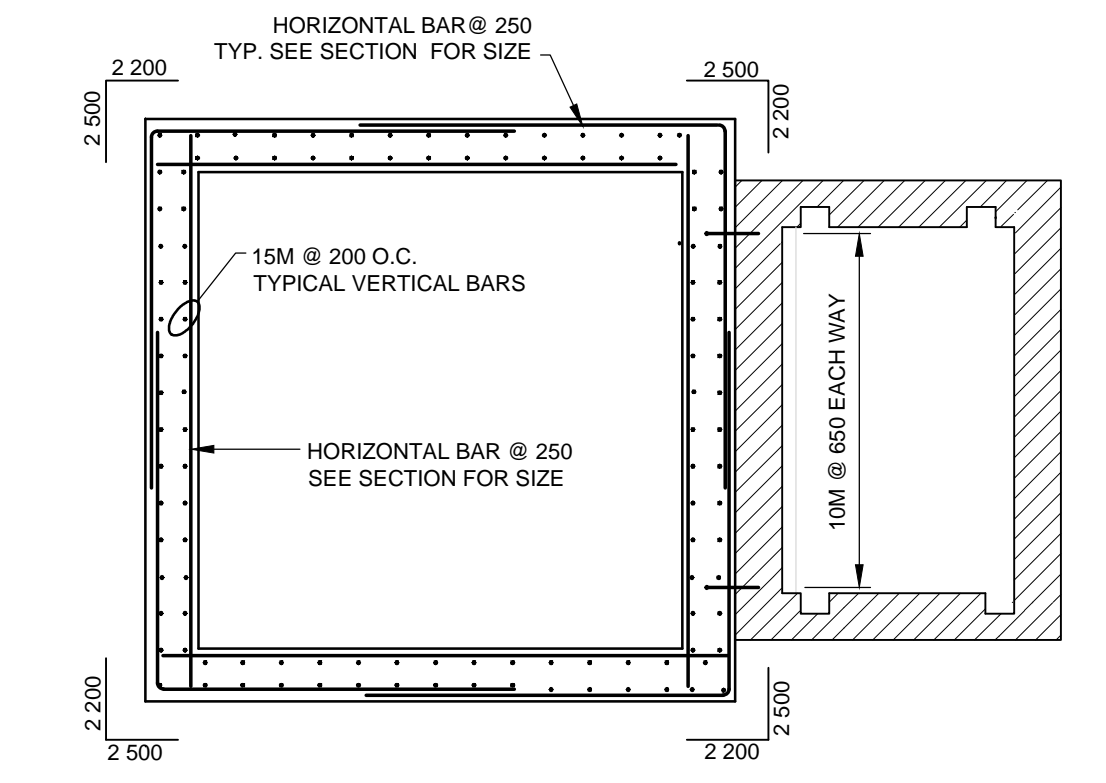


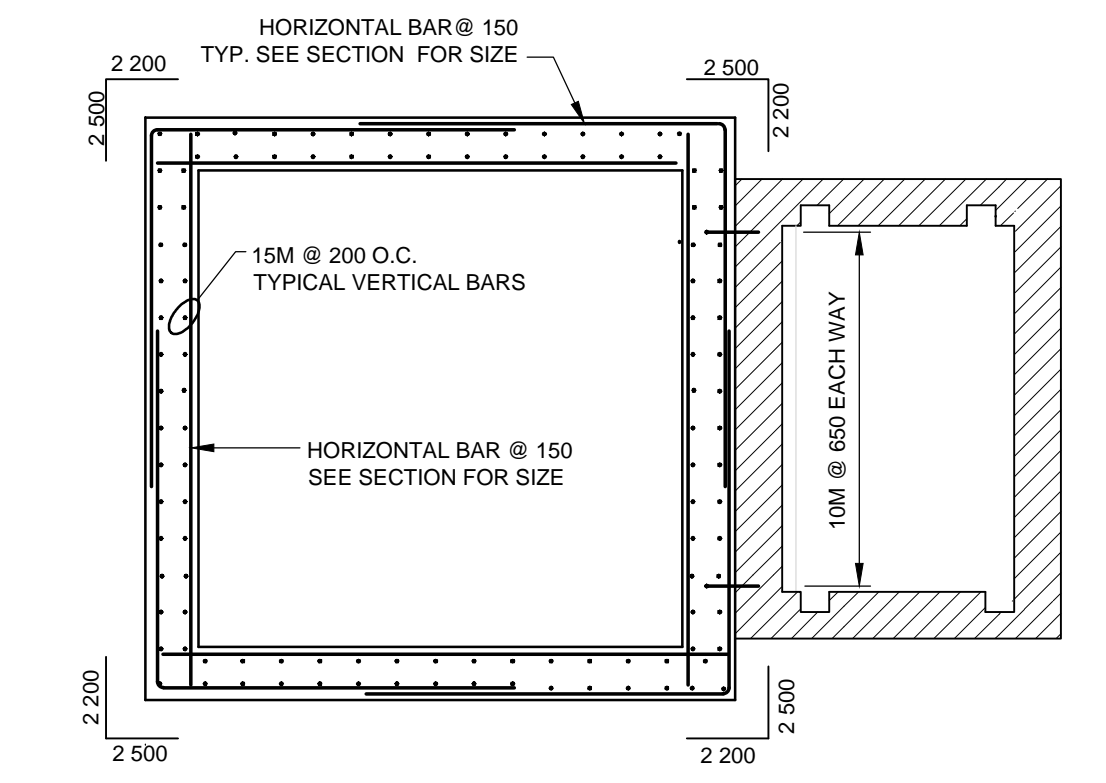
**ROOF SLAB REINFORCING PLAN**  
1:30



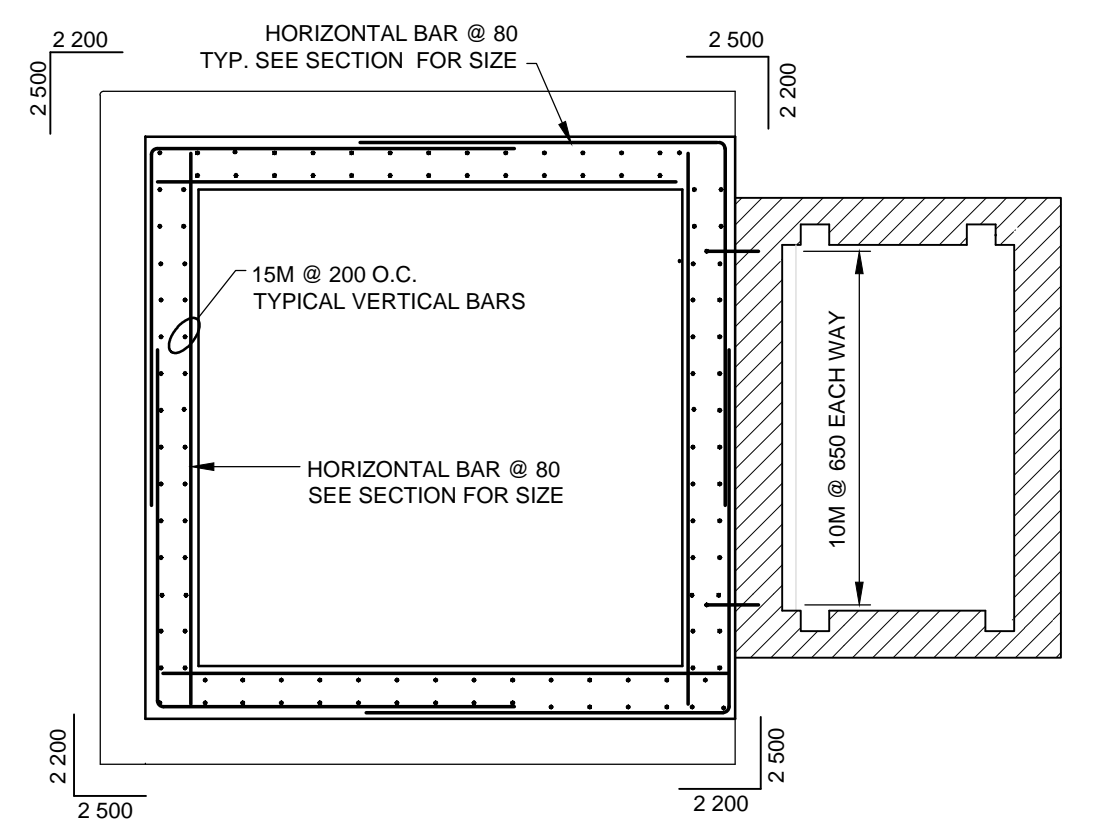
**SECTION A**  
(THROUGH C OF PIPE)  
1:30



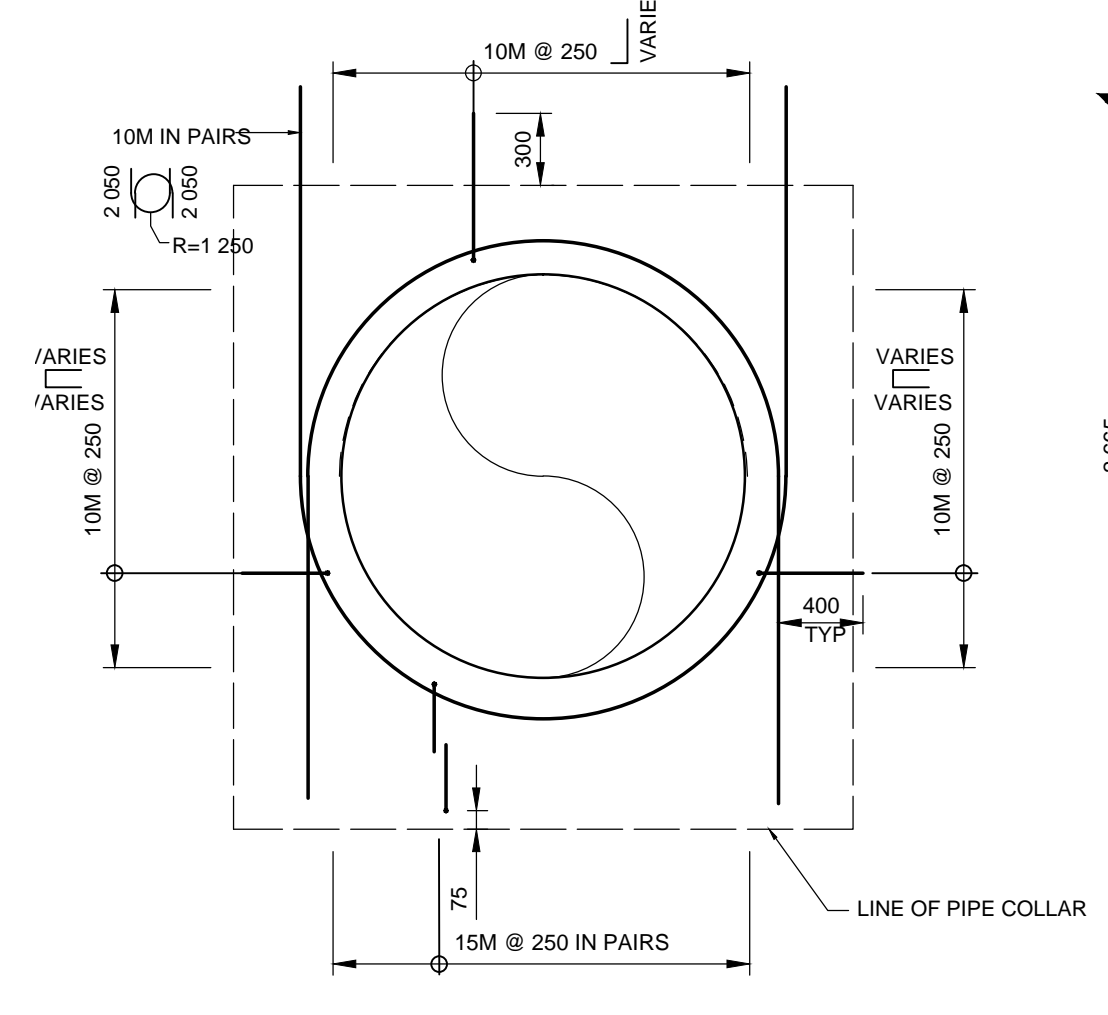
**SECTION D**  
1:50



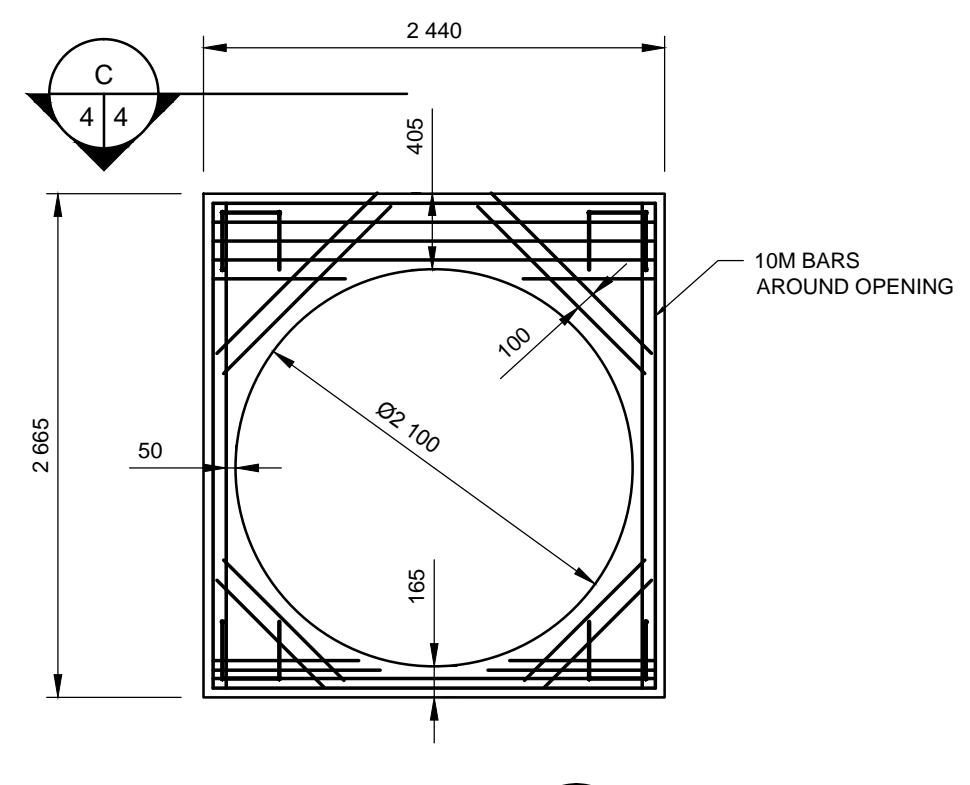
**SECTION E**  
1:50



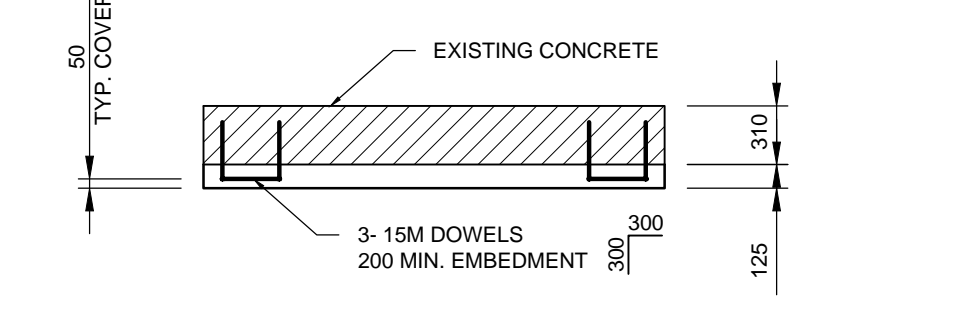
**SECTION F**  
1:50



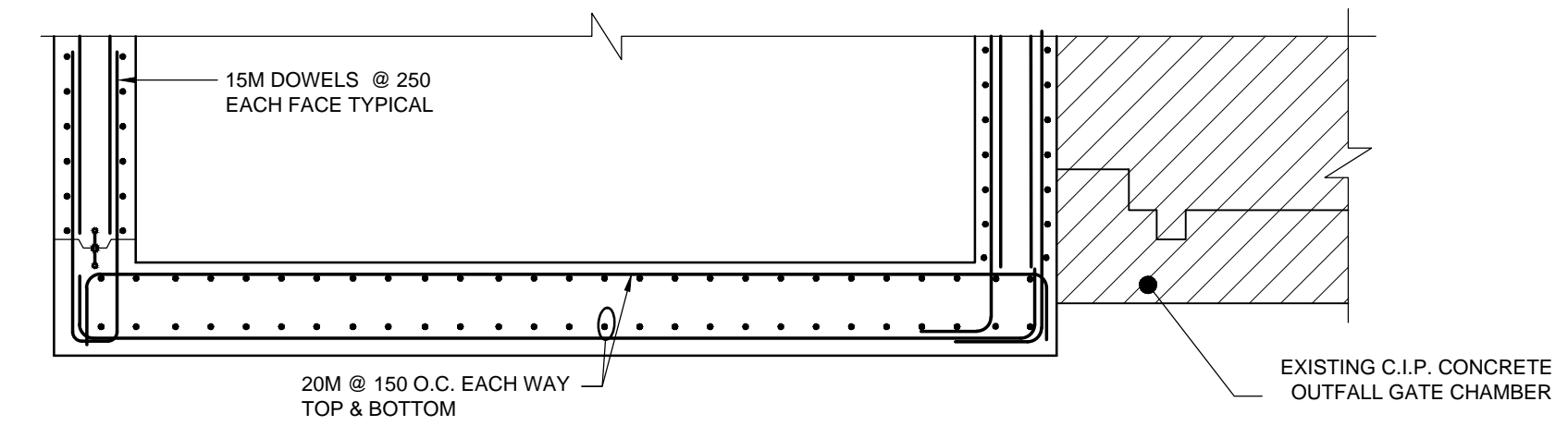
**ELEVATION 1**  
1:40



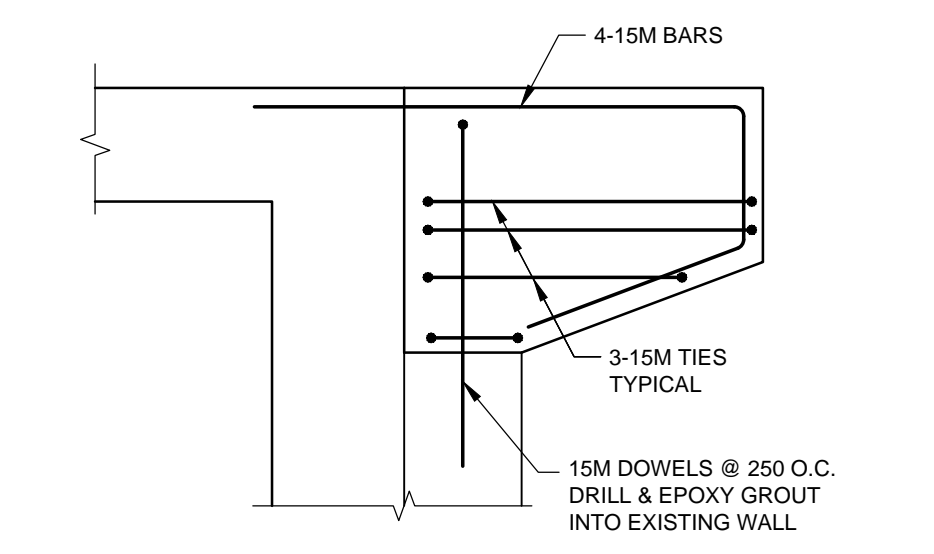
**ELEVATION 2**  
1:40



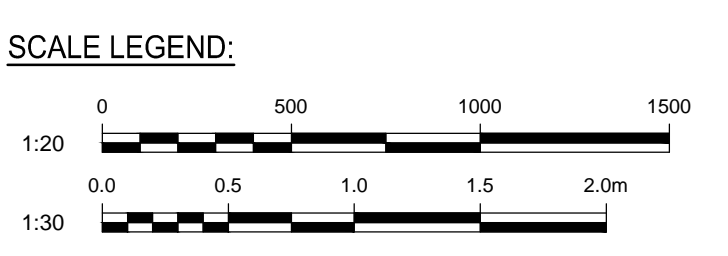
**PLAN C**  
1:40



**SECTION B**  
1:30



**DETAIL 3**  
1:20



NOTE: These design documents are prepared solely for the use by the party with whom the design professional has entered into a contract and there are no representations of any kind made by the design professional to any party with whom the design professional has not entered into a contract.

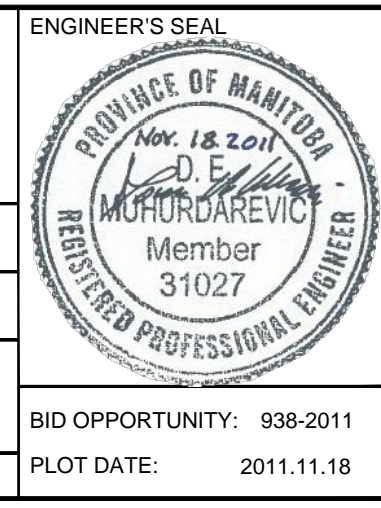


**METRIC**  
WHOLE NUMBERS INDICATE MILLIMETRES  
DECIMALIZED NUMBERS INDICATE METRES

DESIGNED BY		MM	CHECKED BY		DM/CDP
DRAWN BY		KDB	APPROVED BY		DM
HOR. SCALE		AS NOTED	RELEASED FOR CONSTRUCTION		
VERT. SCALE		AS NOTED			
1	ISSUED FOR TENDER	11.11.18	DM		
No.	REVISIONS	DATE	BY	DATE	2011.11.18



MMM Group Limited  
Suite 111 - 93 Lombard Ave.  
Winnipeg, MB R3B 3B1  
T. 204.943.3178 | F. 204.943.4948  
www.mmm.ca



**THE CITY OF WINNIPEG**  
WASTE AND WATER DEPARTMENT

OUTFALL GATE CHAMBERS CONSTRUCTION & UPGRADES  
MINNETONKA STREET & RIVER ROAD  
LDS OUTFALL GATE CHAMBER ADDITION

CONSULTANT DRAWING No.: 5511125-4  
SHEET OF 4 10  
CITY DRAWING No.: LD-5710

REINFORCING DETAILS

Last saved November 18, 2011 - 11:02 AM by BERNARDKMM Drawing: 5511125 minnetonka gate chambers - 11114\_4db.dwg