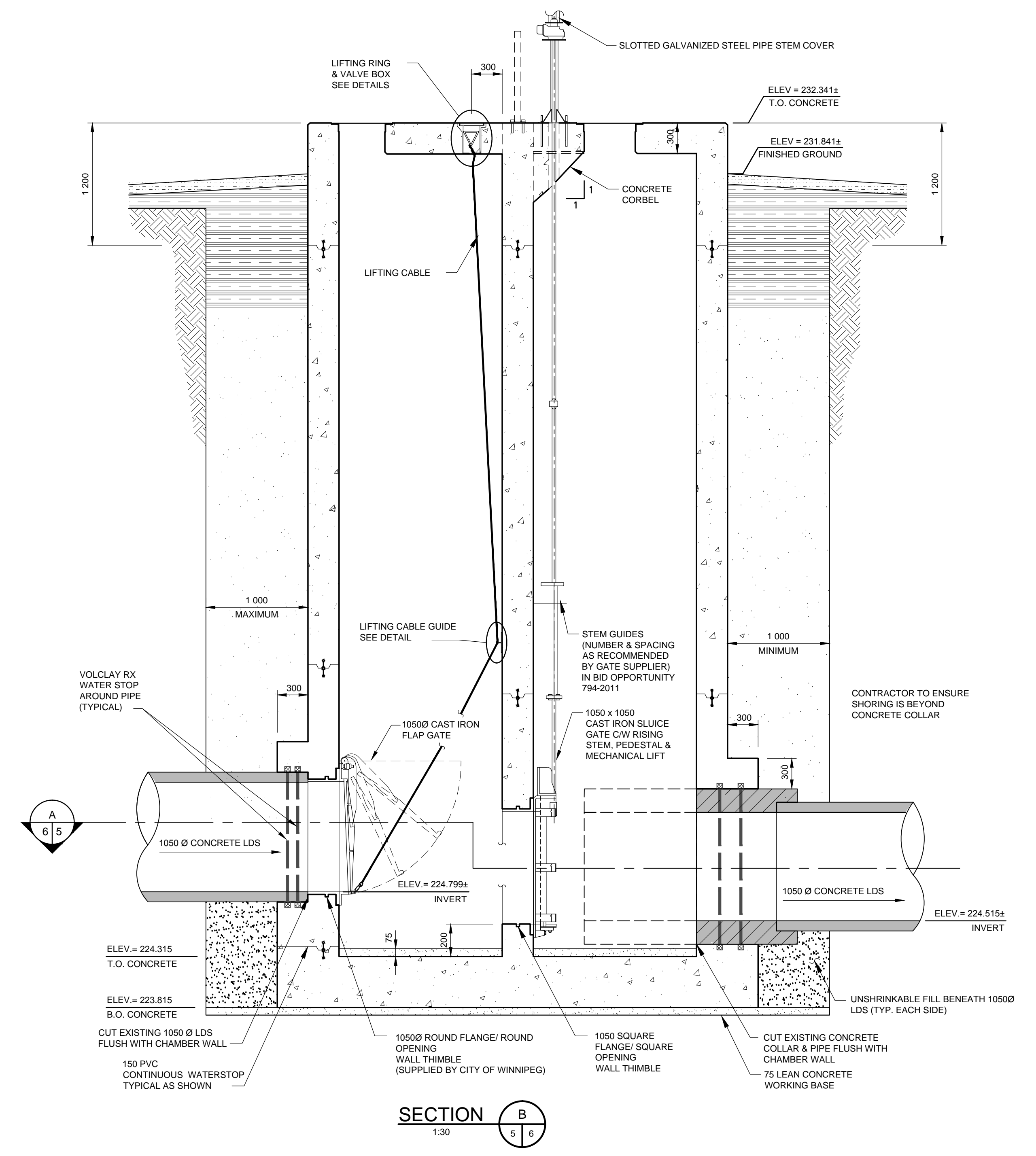
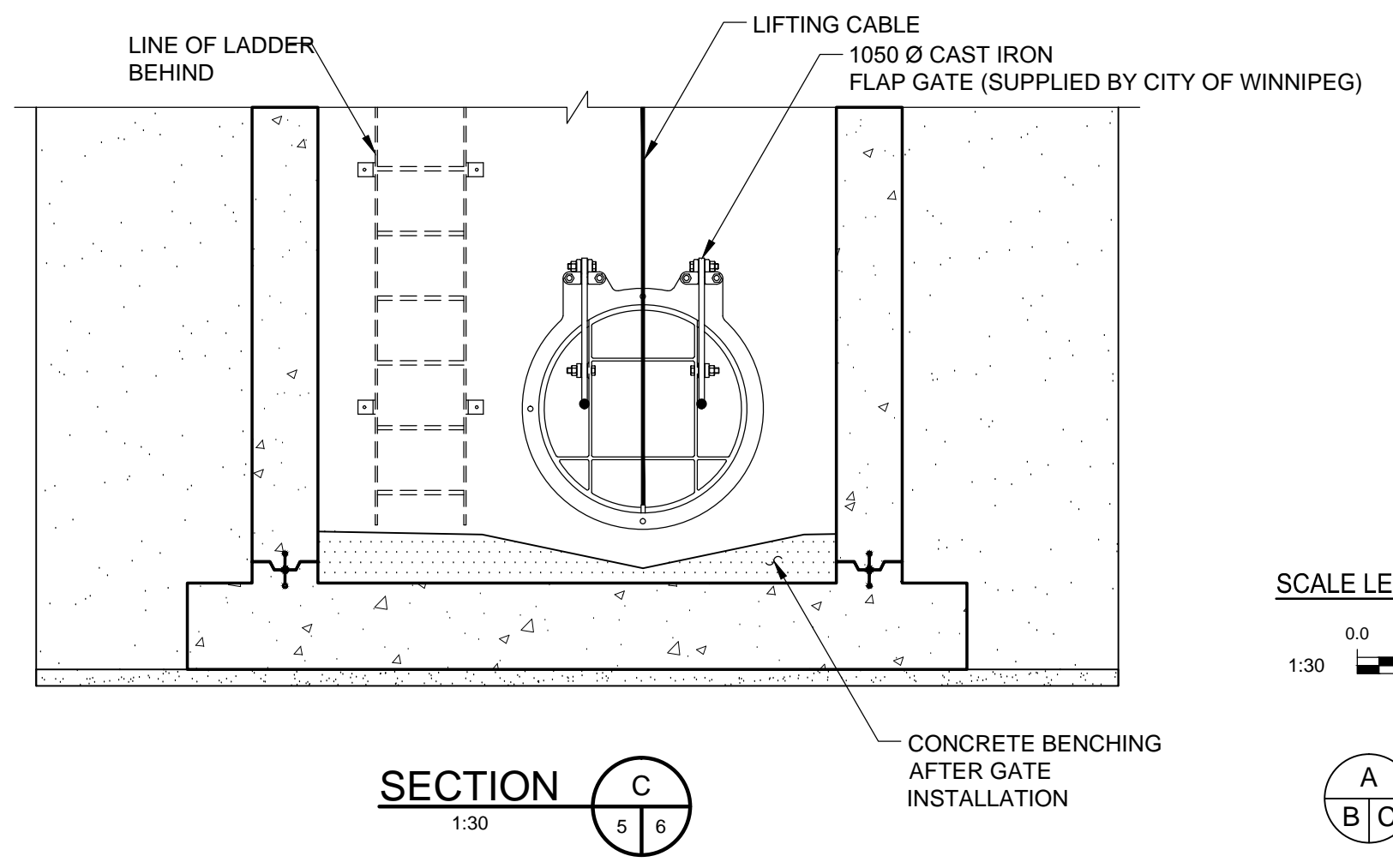


SECTION A  
1:30

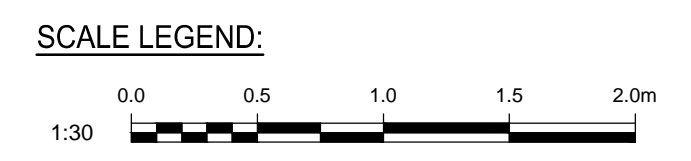


SECTION B  
1:30



SECTION C  
1:30

NOTE:  
ALL GATES ARE PROVIDED BY THE CITY BID OPPORTUNITY No. 794-2011

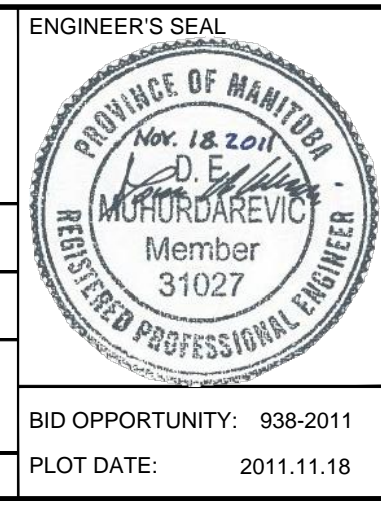


A = DETAIL/SECTION No.  
B = DRAWING WHERE SHOWN  
C = DRAWING WHERE TAKEN

METRIC  
WHOLE NUMBERS INDICATE MILLIMETRES  
DECIMALIZED NUMBERS INDICATE METRES

**APEGM**  
Certificate of Authorization  
MMM Group Limited  
No. 4531 Date: 11.11.18

DESIGNED BY		CHECKED BY		APPROVED BY	
DRAWN BY		APPROVED BY		RELEASED FOR CONSTRUCTION	
HOR. SCALE		VERT. SCALE		DATE	
1 ISSUED FOR TENDER		11.11.18		DM	
No.	REVISIONS	DATE	BY	DATE	2011.11.18



**THE CITY OF WINNIPEG**  
WASTE AND WATER DEPARTMENT

Winnipeg

OUTFALL GATE CHAMBERS CONSTRUCTION & UPGRADES  
MINNETONKA STREET & RIVER ROAD  
NEW LDS OUTFALL GATE CHAMBER

CONSULTANT DRAWING No.: 5511125-6  
SHEET 6 OF 10  
CITY DRAWING No.: LD-5712

BID OPPORTUNITY: 938-2011  
PLOT DATE: 2011.11.18  
CONCRETE DETAILS (SHEET 2 OF 2)

Last saved November 18, 2011 - 11:02 AM by BERNARDKIKI  
P:\5511125-6\5511125-6\_Minnetonka Gate Chambers Construction\MMM Drawings\551125\_minnetonka\_gate\_chambers\_111114\_dwg.dwg

NOTE:  
These design documents are prepared solely for the use by the party with whom the design professional has entered into a contract and there are no representations of any kind made by the design professional to any party with whom the design professional has not entered into a contract.