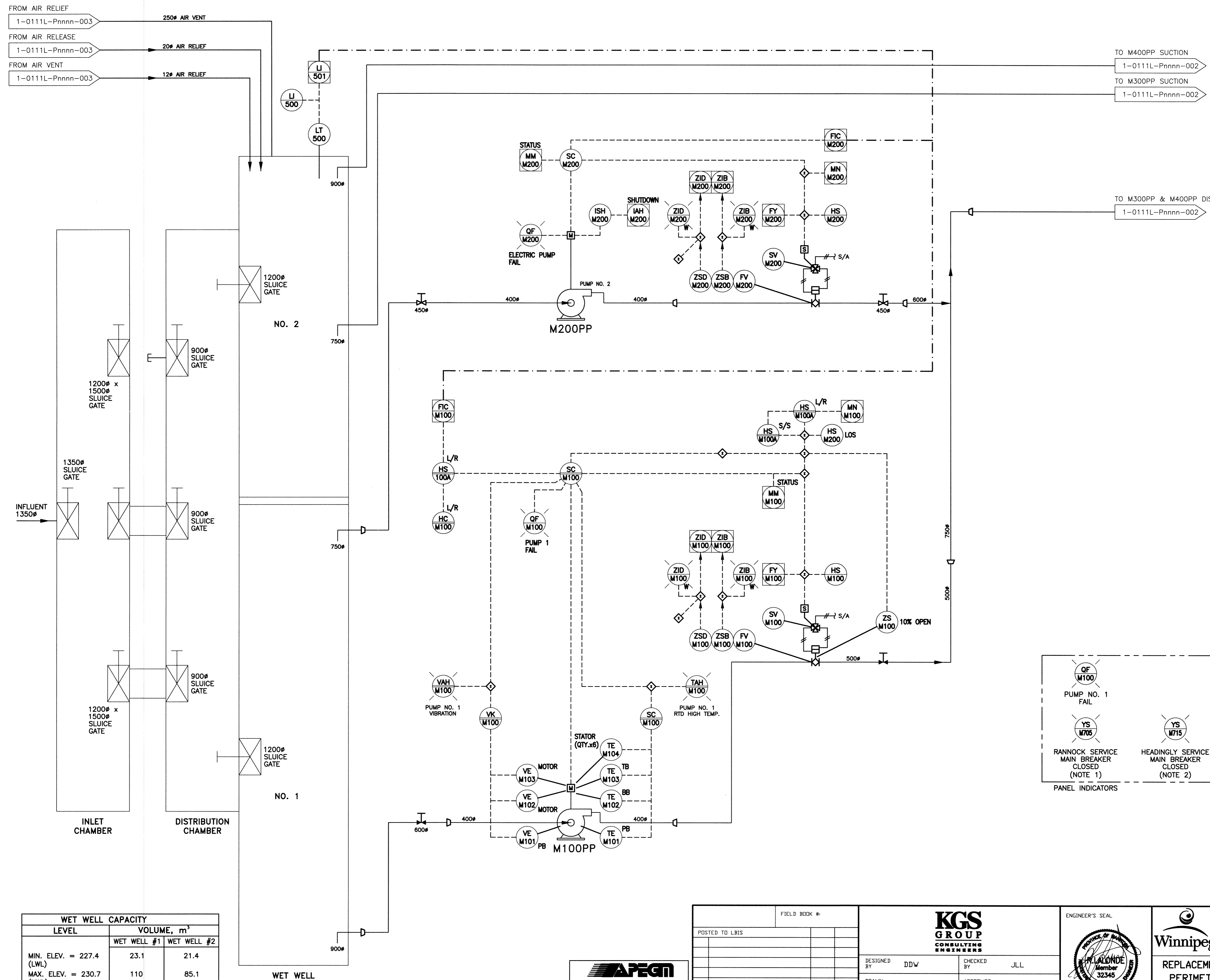


File Name: P:\Projects\2010\10-0107-23\Doc.Control\ToRelease\DWG\720-2010_Drawing_E21-RO.dwg - Tab: E21 Plotted By: Dderoché 11/07/2011 [Mon 3:07pm]



NOTES:

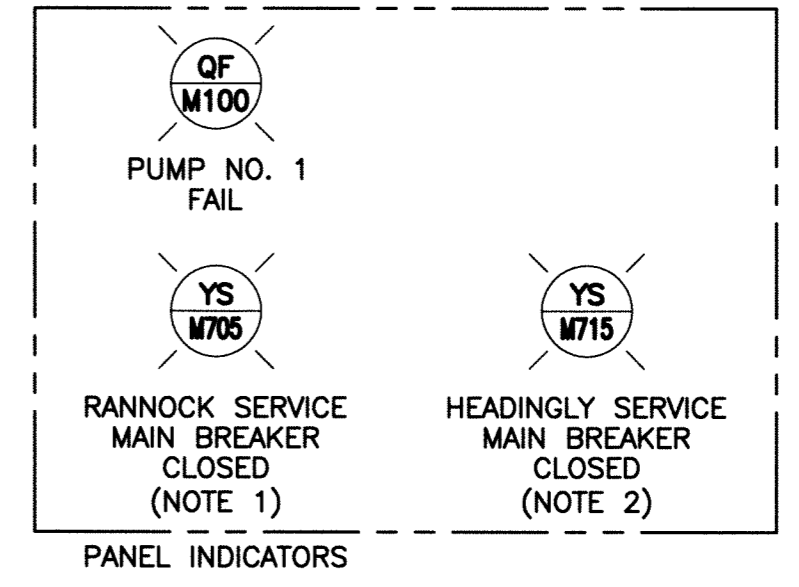
- EXISTING INDICATOR TO BE RELABELED.
- NEW INDICATOR TO INSTALLED AND LABELED.

LEGEND:

TB TOP BEARING
 BB BOTTOM BEARING
 PB PUMP BEARING
 LOS LOCK - OFF - STOP
 L/R LOCAL / REMOTE
 S/S START / STOP

PUMP M100PP	
KW CAPACITY	298
SPEED REG.	VFD

PUMP M200PP	
KW CAPACITY	473 L/S
SPEED REG.	MAG COUPLING



LEVEL	WET WELL CAPACITY VOLUME, m ³	
	WET WELL #1	WET WELL #2
MIN. ELEV. = 227.4 (LWL)	23.1	21.4
MAX. ELEV. = 230.7 (HWL)	110	85.1

APEGN
 Certificate of Authorization
 KGS Group
 No. 245

FIELD BOOK #:		DESIGNED BY DDW		CHECKED BY JLL	
POSTED TO LBIS		DRAWN BY GCN		APPROVED BY RED	
0	ISSUED FOR TENDER	HR. SCALE N.T.S.		RELEASED FOR CONSTRUCTION	
NO. REVISIONS	DATE	VERTICAL N.T.S.		DATE	
	2011-11-07			2011 05 20	

ENGINEER'S SEAL

 E21

THE CITY OF WINNIPEG
 WATER AND WASTE DEPARTMENT
 REPLACEMENT OF RAW SEWAGE PUMP P-3
 PERIMETER ROAD PUMPING STATION
ELECTRICAL
 PROCESS & INSTRUMENTATION DIAGRAM
 (NEW MODIFICATIONS)

SHEET 1 OF 3
 CITY DRAWING NUMBER