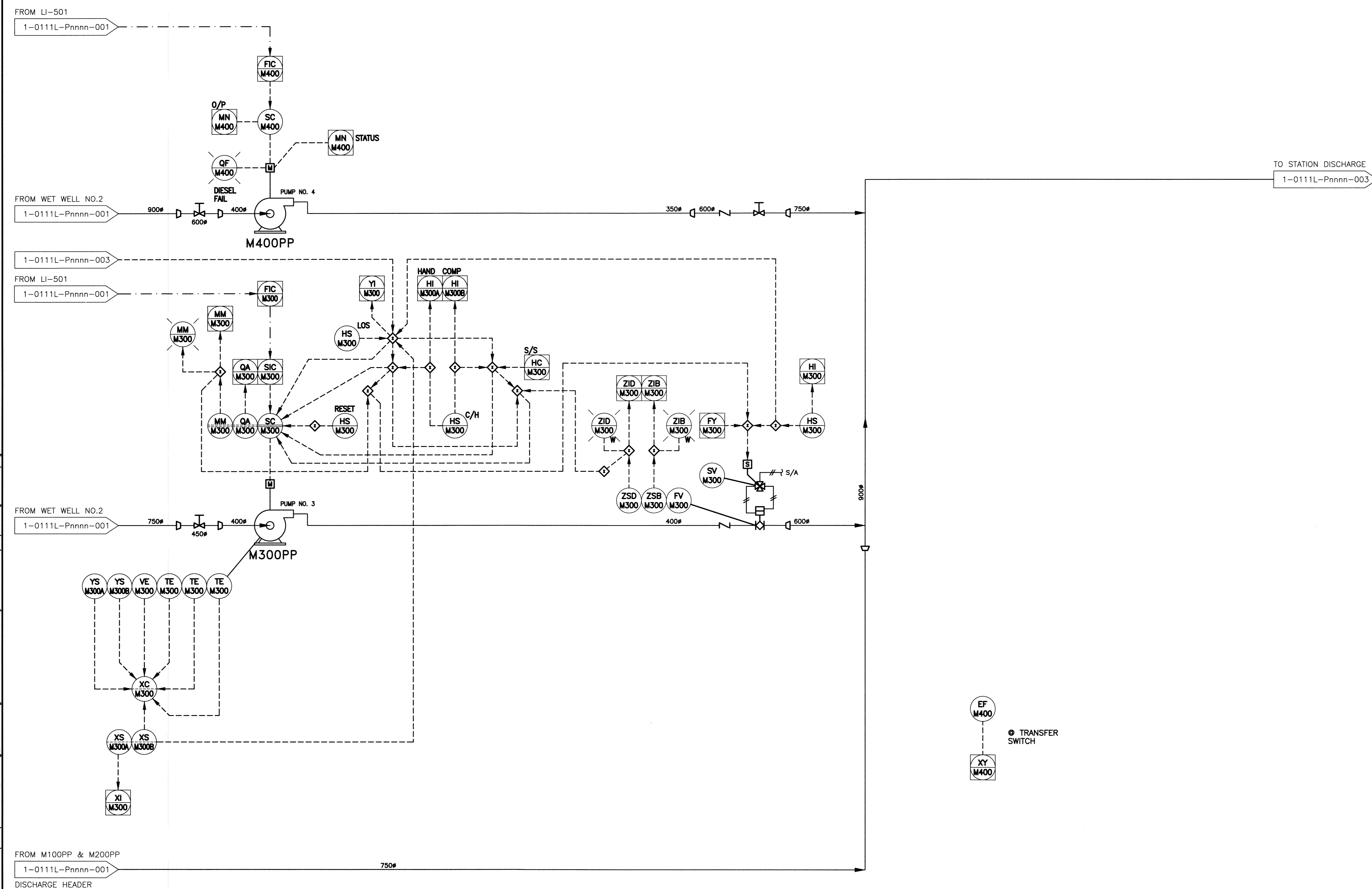


File Name: P:\Projects\2010\10-0107-23\Doc.Control\Released\DWG\20-2010\_Drawing\_E22-R0.dwg - Tab: E22 Plotted By: D.Deroche 11/07/2011 [Mon 3:06pm]

**NOTES:**  
1. -



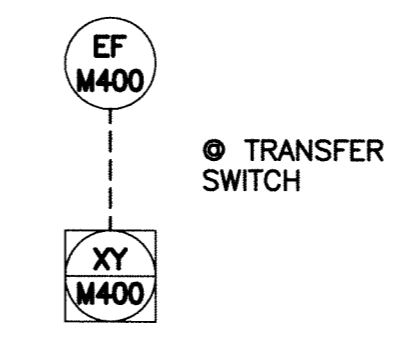
**LEGEND:**

- TB TOP BEARING
- BB BOTTOM BEARING
- PB PUMP BEARING
- LOS LOCK - OFF - STOP
- L/R LOCAL / REMOTE
- S/S START / STOP

| PUMP M300PP |         |
|-------------|---------|
| kw          | 93      |
| CAPACITY    | 284 L/S |
| FIXED SPEED |         |

| PUMP M400PP   |                              |
|---------------|------------------------------|
| kw            | 223                          |
| CAPACITY      | MIN. 300 L/S<br>MAX. 680 L/S |
| DIESEL ENGINE | GOVERNOR SPEED CONTROL       |



**APEGN**  
Certificate of Authorization  
KGS Group  
No. 245

|                                |                           |  |  |
|--------------------------------|---------------------------|--|--|
| POSTED TO L.BIS                | FIELD BOOK #:             | <b>KGS GROUP</b><br>CONSULTING ENGINEERS |  |
|                                |                           |  |  |
| DESIGNED BY DDW                | CHECKED BY JLL            | <br>NOV. 7, 2011<br><b>E22</b>           |  |
| DRAWN BY GCN                   | APPROVED BY RED           |  |  |
| HR. SCALE N.T.S.               | RELEASED FOR CONSTRUCTION |  |  |
| VERTICAL N.T.S.                |                           |  |  |
| 0 ISSUED FOR TENDER 2011-11-01 | DATE 2011-06-08           |  |  |
| NO. REVISIONS                  | DATE BY                   |  |  |

**THE CITY OF WINNIPEG**  
WATER AND WASTE DEPARTMENT

**REPLACEMENT OF RAW SEWAGE PUMP P-3  
PERIMETER ROAD PUMPING STATION  
ELECTRICAL  
PROCESS & INSTRUMENTATION DIAGRAM  
(NEW MODIFICATIONS) SHEET 2**

SHEET 2 OF 3  
CITY DRAWING NUMBER