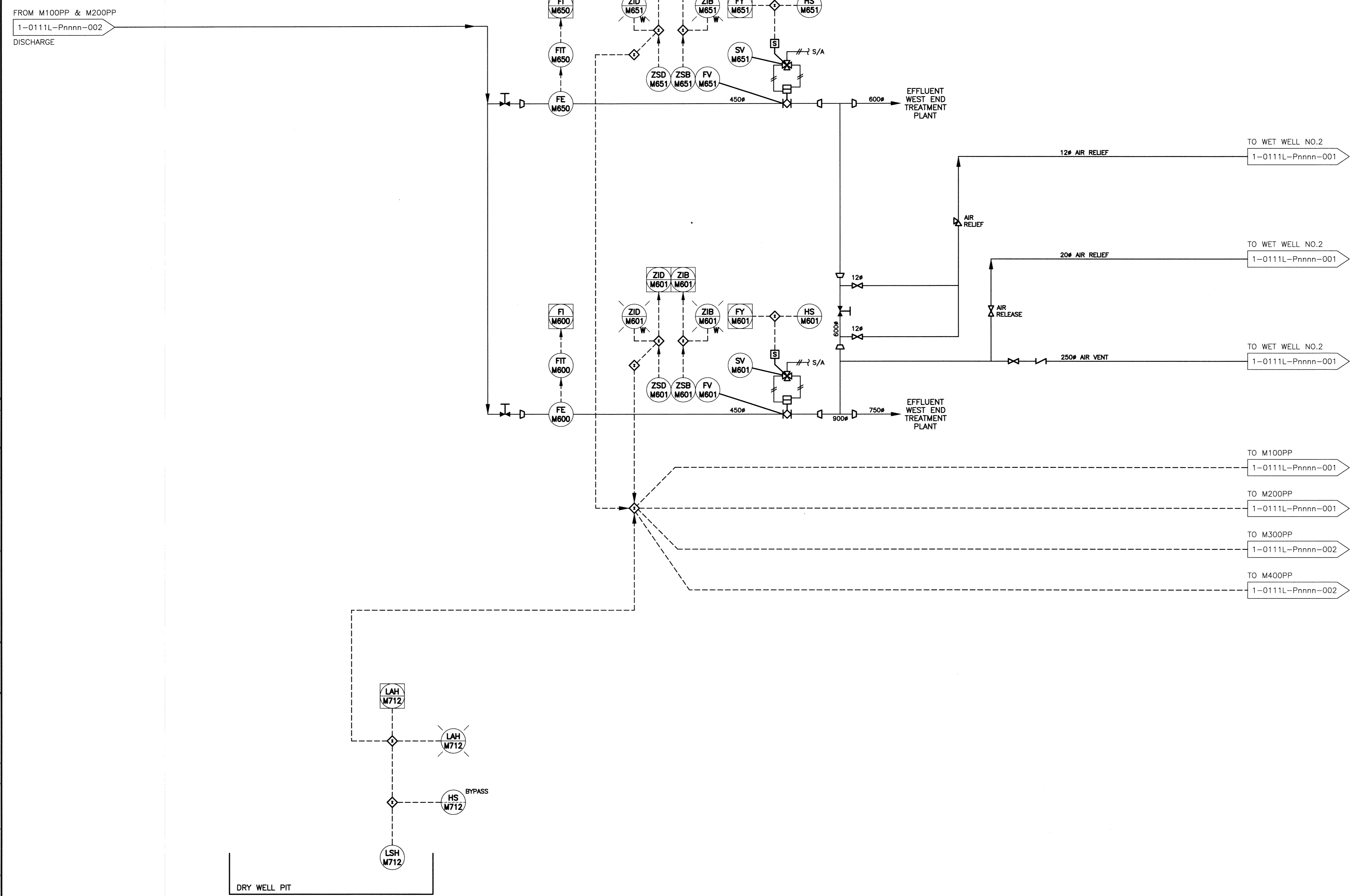


NOTES:  
1. -



**LEGEND:**  
 TB TOP BEARING  
 BB BOTTOM BEARING  
 PB PUMP BEARING  
 LOS LOCK - OFF - STOP  
 L/R LOCAL / REMOTE  
 S/S START / STOP

EFFLUENT FLOW	
MIN.	= 284 L/S (PUMP NO. 3)
MAX.	= 1853 L/S (PUMPS 1, 2 & 4)

**APEGN**  
 Certificate of Authorization  
 KGS Group  
 No. 245

POSTED TO LBIS	FIELD BOOK #
DESIGNED BY DDW	CHECKED BY JLL
DRAWN BY GCN	APPROVED BY RED
HDR. SCALE N.T.S.	RELEASED FOR CONSTRUCTION
VERTICAL N.T.S.	
DATE 2011 06 08	DATE

**KGS GROUP**  
 CONSULTING ENGINEERS

ENGINEER'S SEAL  
  
 NOV. 7, 2011  
 E23

**THE CITY OF WINNIPEG**  
 WATER AND WASTE DEPARTMENT

REPLACEMENT OF RAW SEWAGE PUMP P-3  
 PERIMETER ROAD PUMPING STATION  
**ELECTRICAL**  
 PROCESS & INSTRUMENTATION DIAGRAM  
 (NEW MODIFICATIONS) SHEET 3

SHEET 3 OF 3  
 CITY DRAWING NUMBER