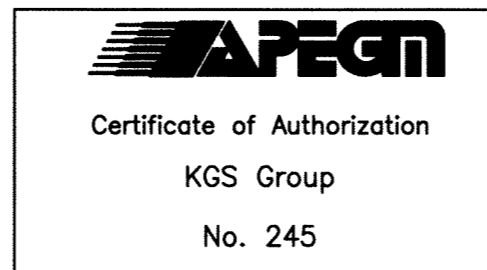
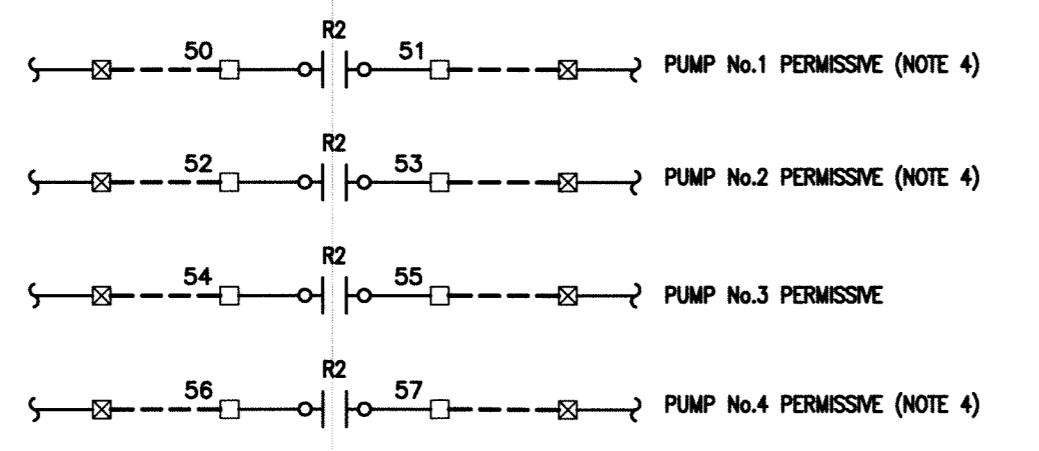
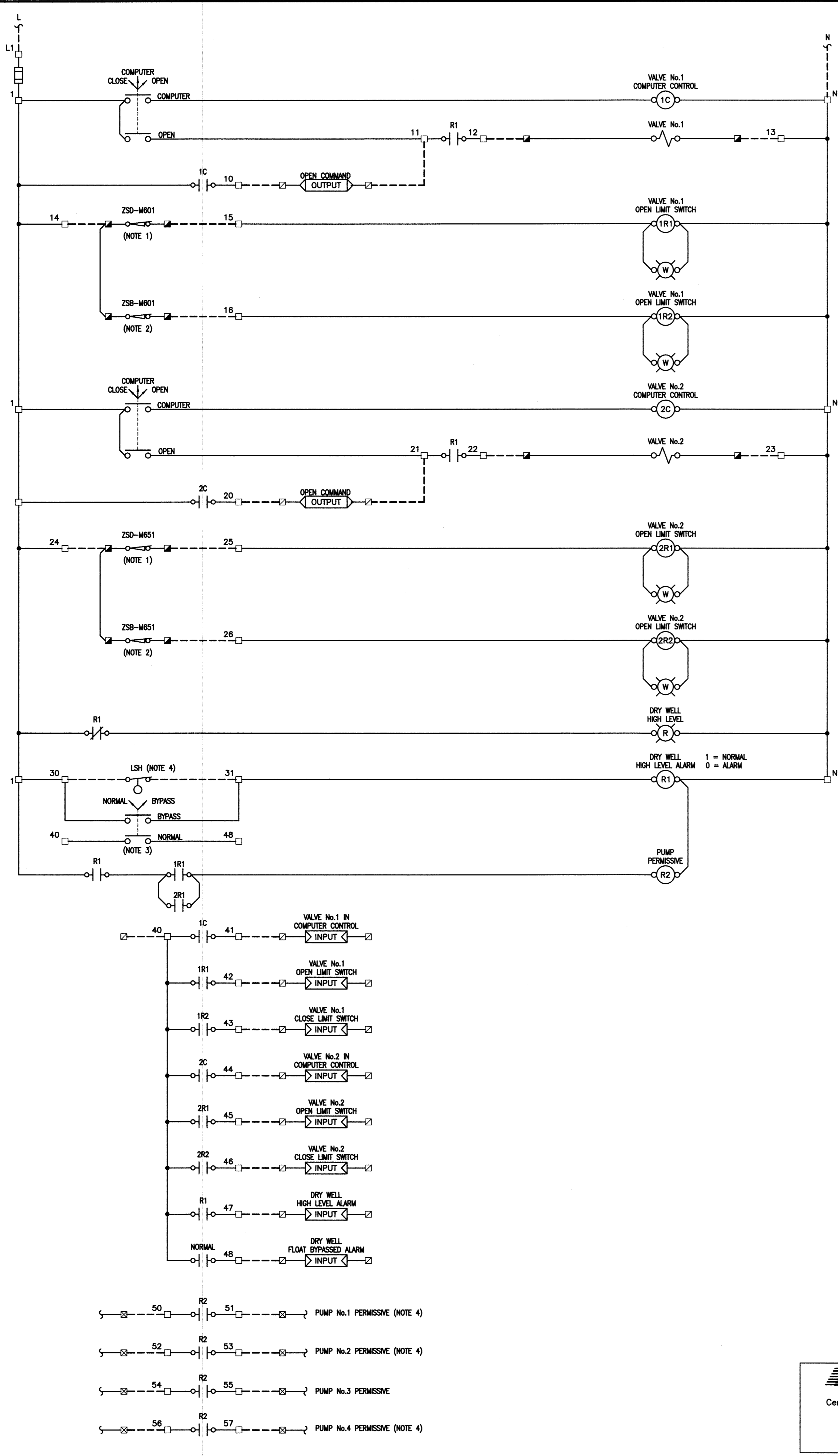
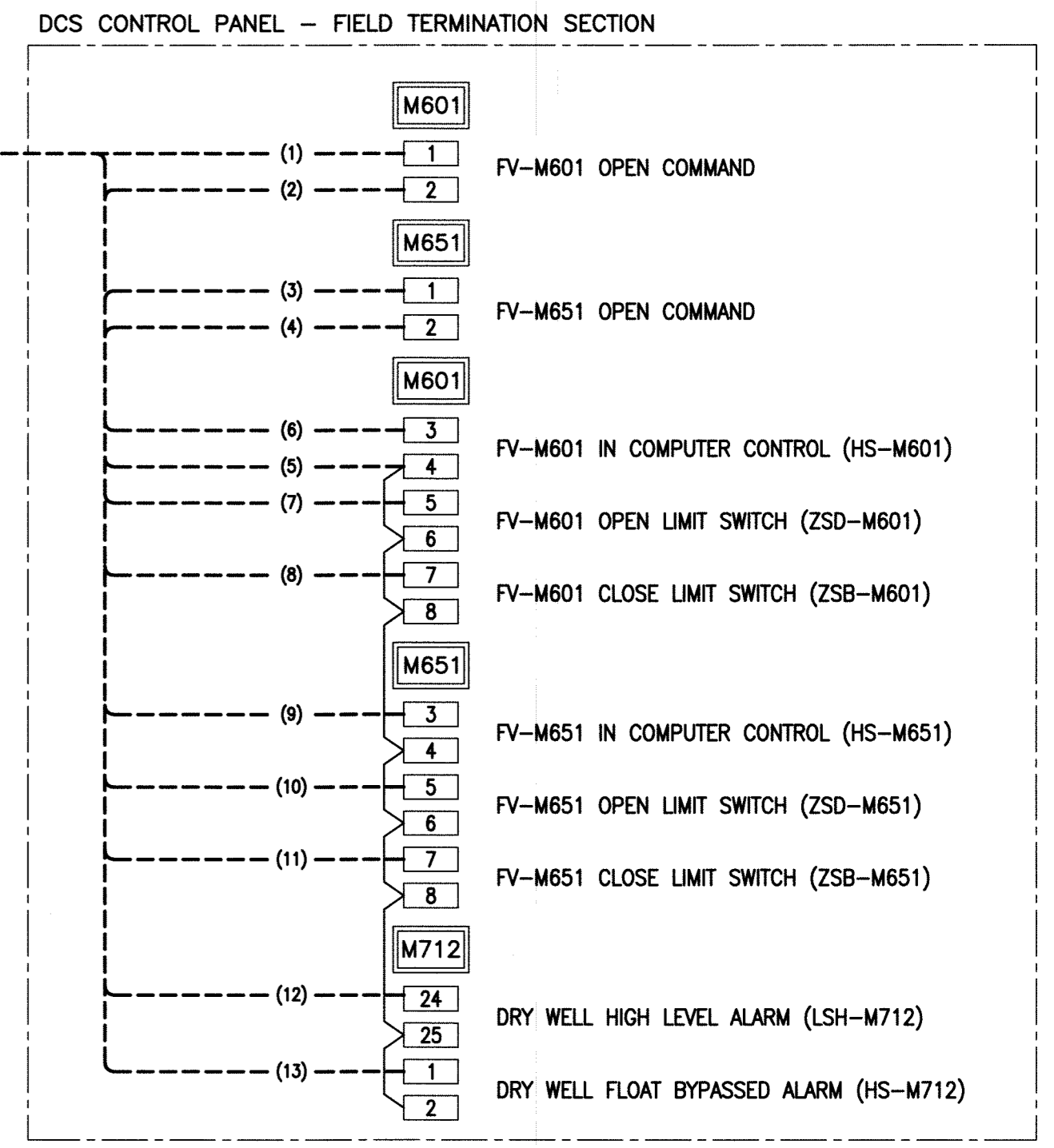
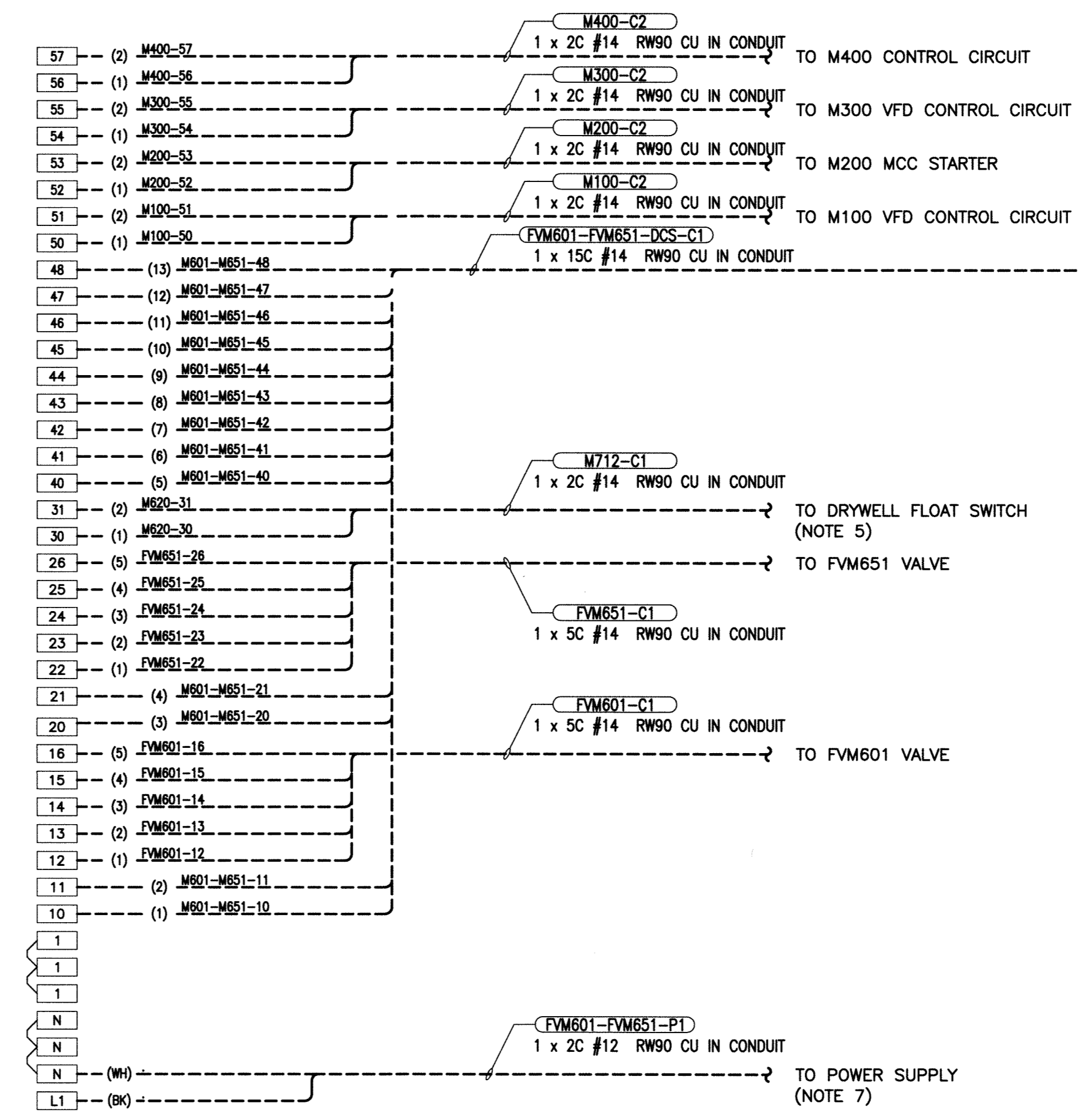


CW-9-M564-1

File Name: P:\Projects\2010\10-0107-23\Doc.Control\ToBeIssued\DWG\720-2010_Drawing_E30-R0.dwg - Tab: E30 Plotted By: D.Deroche 11/07/2011 [Mon 3:05pm]



- NOTES:**
- LIMIT SWITCH CONTACT CLOSURES TO PROVE VALVE IN THE OPEN POSITION.
 - LIMIT SWITCH CONTACT CLOSURES TO PROVE VALVE IN THE CLOSED POSITION.
 - NORMAL BYPASS SWITCH FOR DRY WELL FLOAT SHALL BE INSTALLED INTERNALLY WITHIN CONTROL PANEL SWITCH STATUS MONITORED BY THE DCS TO ALARM WHEN SWITCH IS IN THE BYPASS MODE.
 - EXISTING CONTROL WIRING TO BE RELOCATED FROM THE EXISTING NON-ESSENTIAL MCC (FOR THE INTERLOCKS OF VALVE FM63) TO THE NEW FV-M601 & FV-M651 CONTROL PANEL. REFER TO EXISTING CITY DRAWING WEP-688 FOR EXISTING DETAILS.
 - EXISTING CABLE TO BE DISCONNECTED FROM EXISTING MCC AND RELOCATED TO THE NEW STATION DISCHARGE VALVES CONTROL PANEL.
 - EXISTING CABLE BETWEEN THE EXISTING MCC AND DCS SHALL BE REMOVED. NEW CONNECTION BETWEEN THE TERMINATION SECTION AND THE DCS TO BE BY OTHERS.
 - CONTRACTOR TO EXTEND TO THE NEAREST AVAILABLE POWER PANEL PROVIDE A NEW 15A SINGLE POLE BREAKER WITHIN THE PANEL.



- LEGEND**
- VALVE CONTROL PANEL TERMINALS
 - ▣ FIELD DEVICE TERMINALS
 - ▢ DCS TERMINALS
 - ⊠ PUMP CONTROL PANEL TERMINALS
 - FIELD WIRING
 - PANEL WIRING
 - () CONDUCTOR IDENTIFICATION
 - WIRE CONNECTION
 - PILOT LIGHT
 - ◀ OUTPUT ▶ PLC OUTPUT
 - ◀ INPUT ▶ PLC INPUT

B.M. ELEV.	FIELD BOOK #	KGS GROUP CONSULTING ENGINEERS	ENGINEER'S SEAL
POSTED TO LBIS			
DESIGNED BY DDW	CHECKED BY JLL	DR. SCALE N.T.S.	RELEASED FOR CONSTRUCTION
DRAWN BY GCN	APPROVED BY RED	VERTICAL N.T.S.	
0 ISSUED FOR TENDER	2011-11-07	DATE 2011 05 20	DATE
NO. REVISIONS	DATE		

THE CITY OF WINNIPEG
WATER AND WASTE DEPARTMENT

REPLACEMENT OF RAW SEWAGE PUMP P-3 PERIMETER ROAD PUMPING STATION

ELECTRICAL
STATION DISCHARGE VALVES SCHEMATIC & WIRING DIAGRAM

SHEET 1 OF 1
CITY DRAWING NUMBER

E30