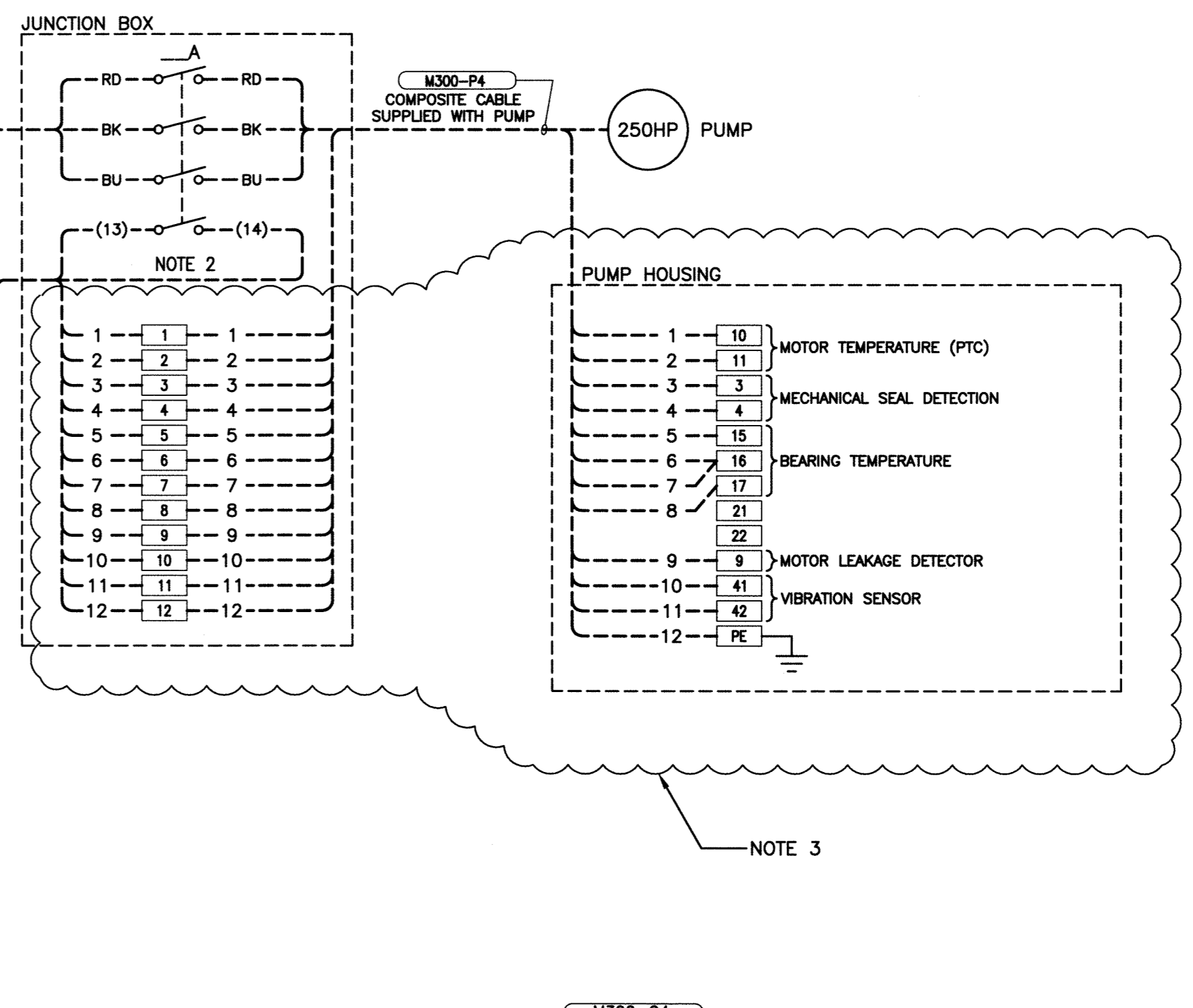
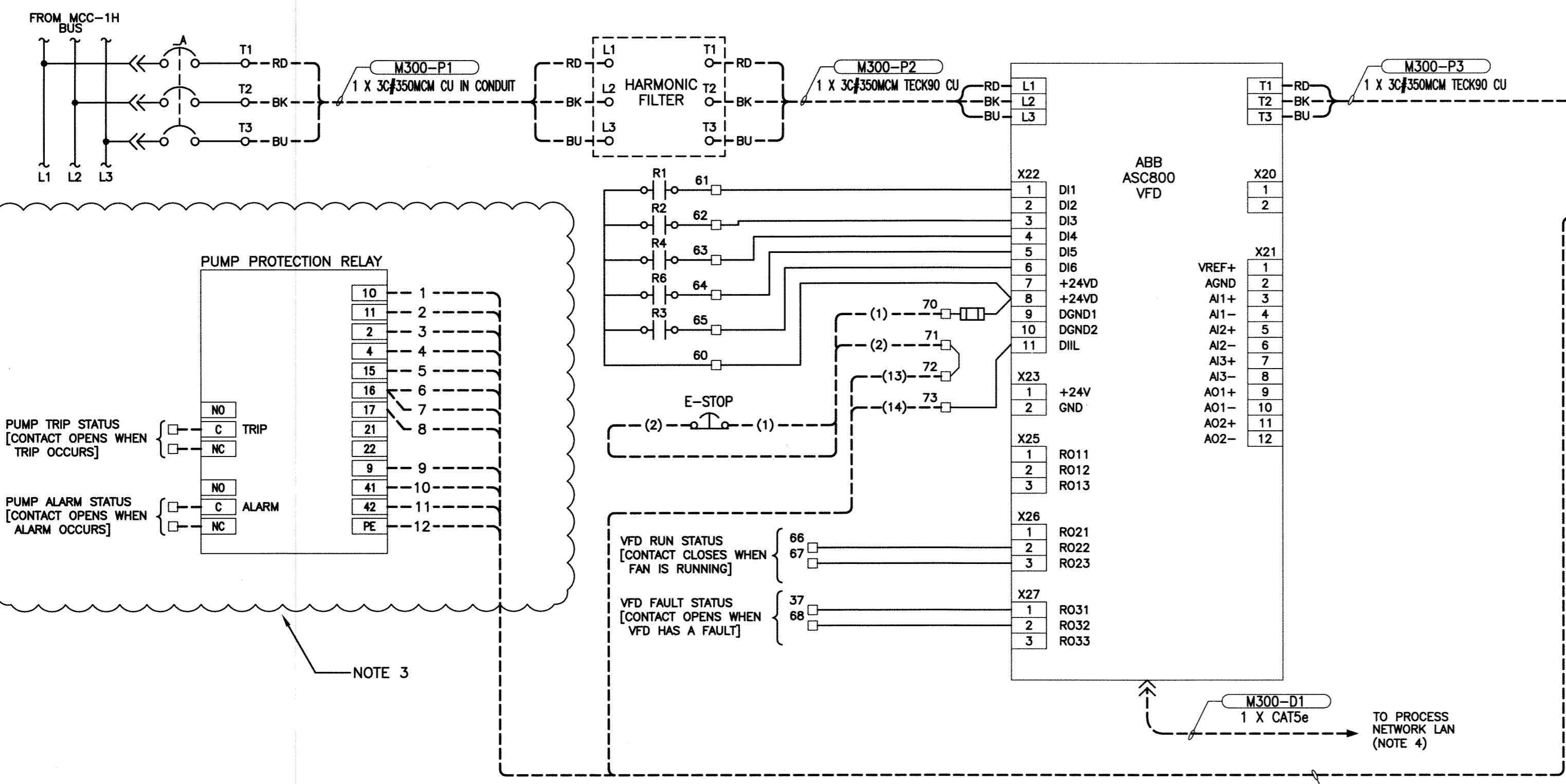
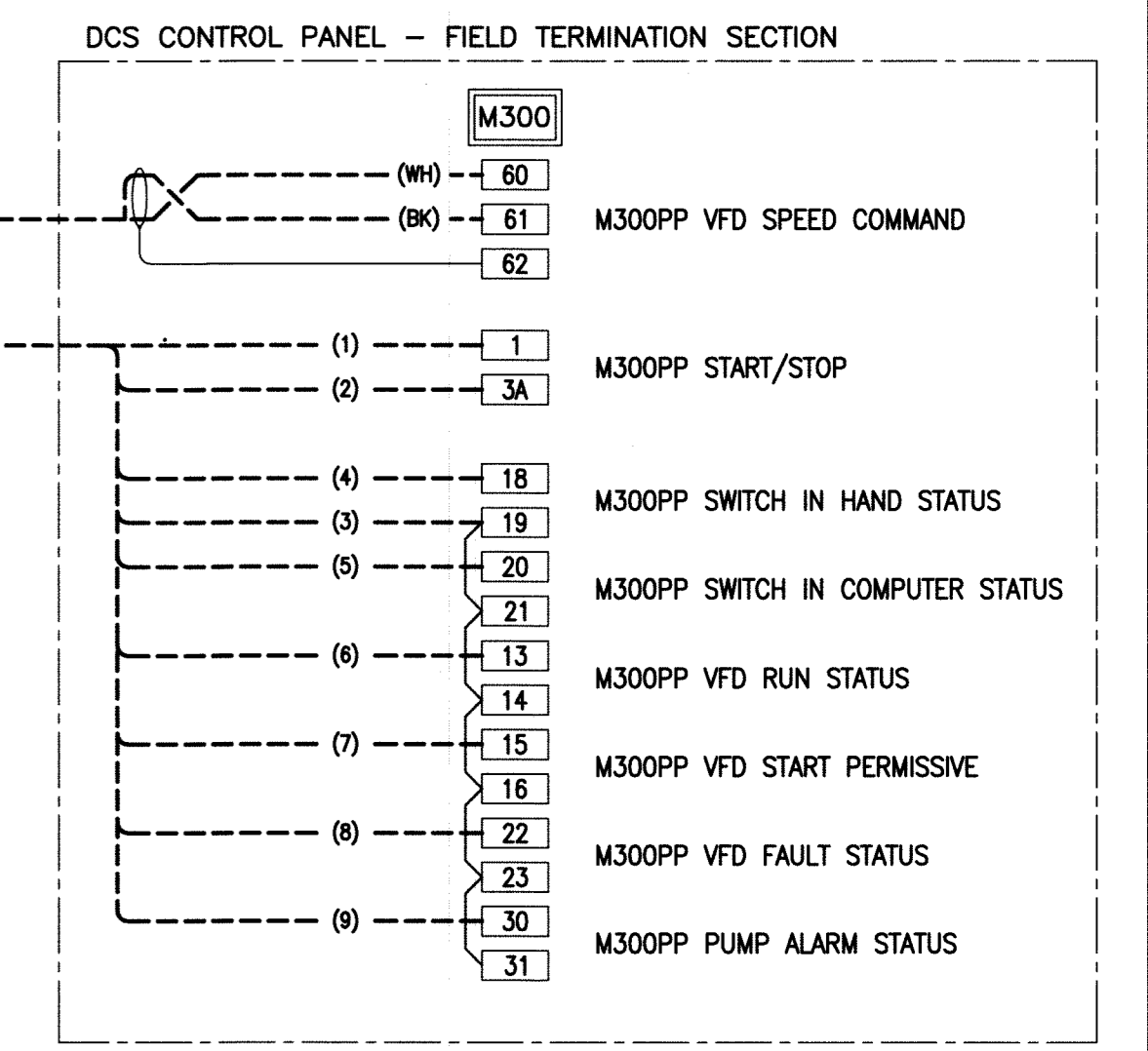
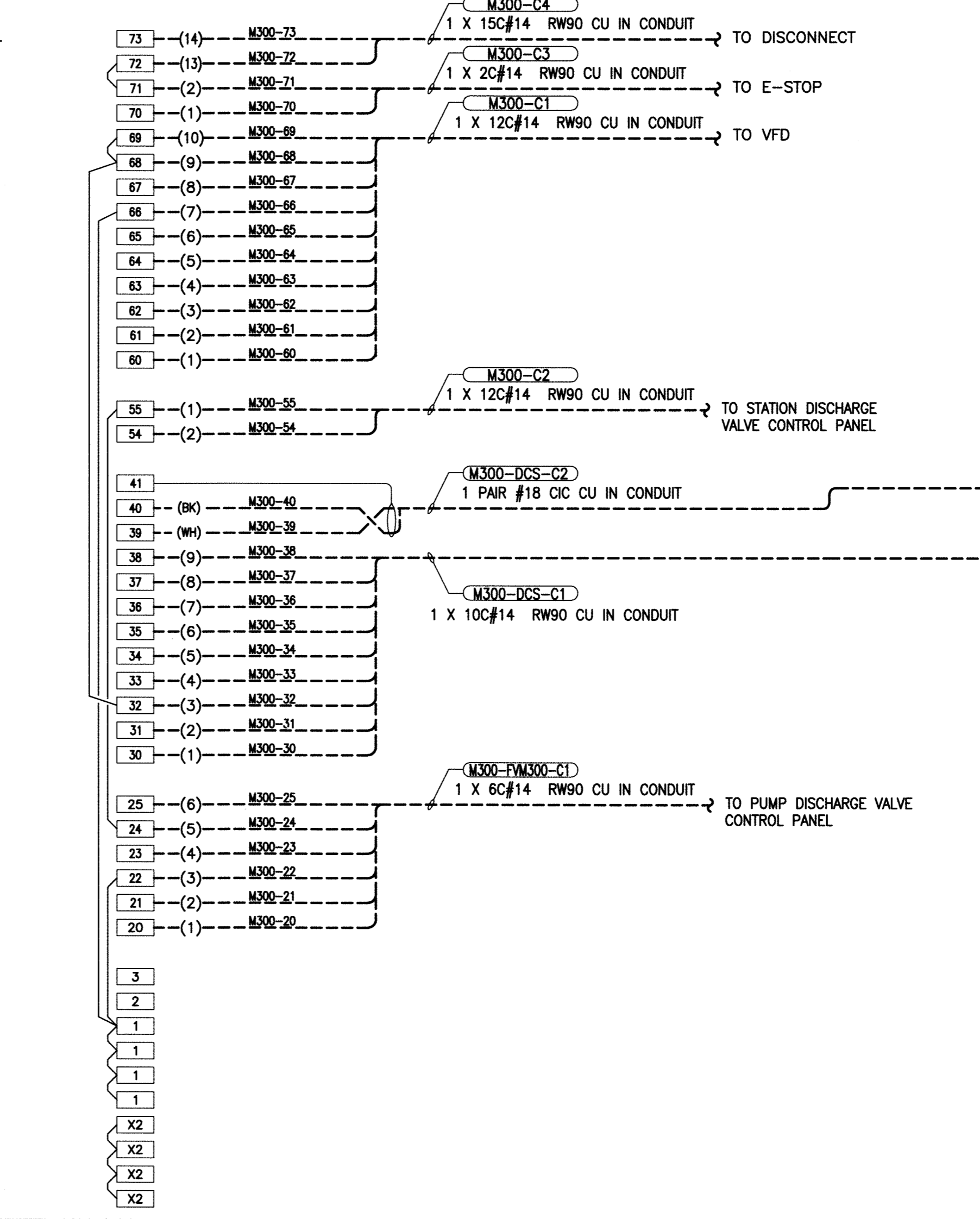
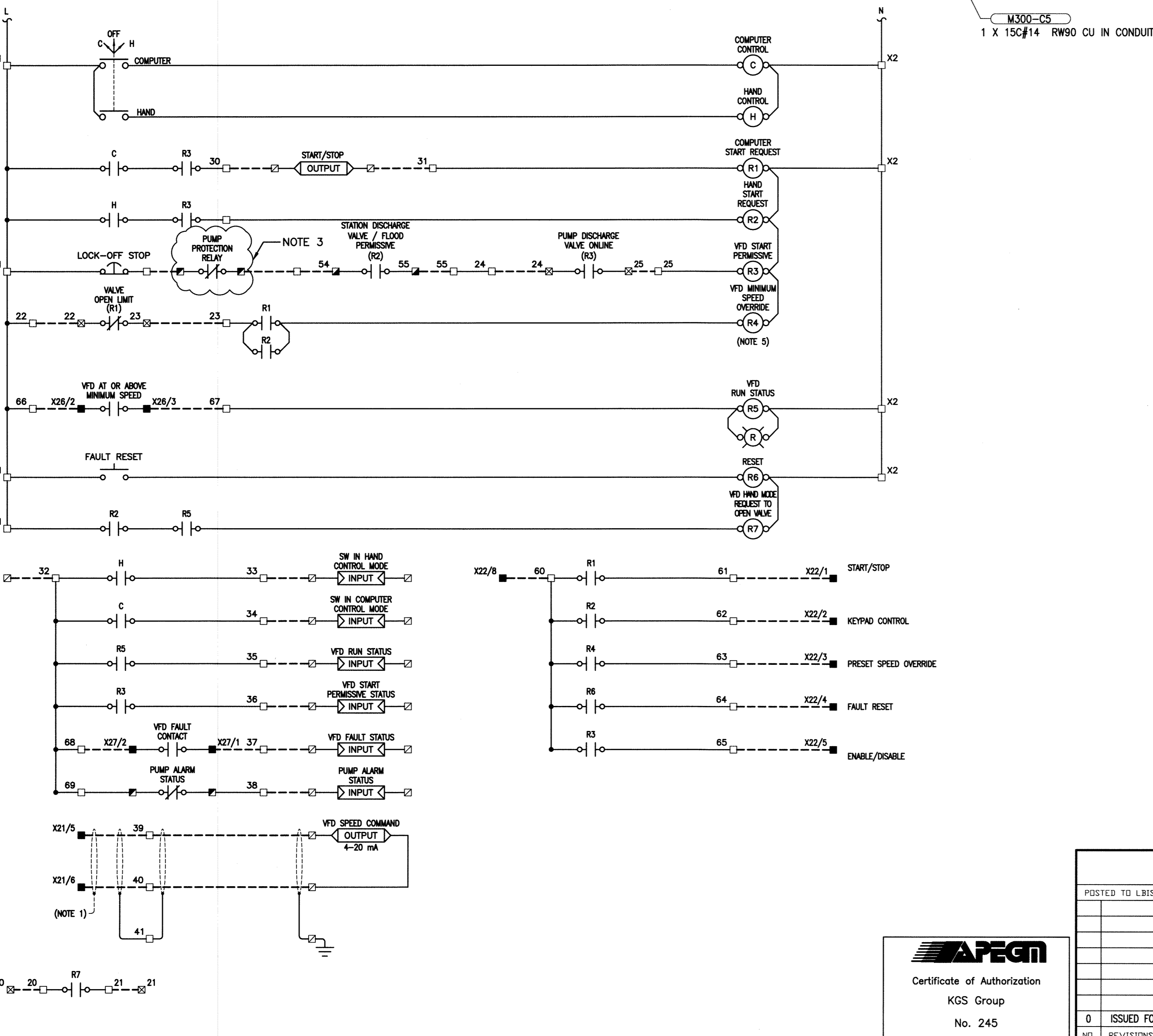


File Name: P:\Projects\2010\10-0107-23\Doc.Control\ToBeIssued\DWG\720-2010-Drawing-E32-R0.dwg - Tab: E32 Plotted By: DDeroche 11/07/2011 [Mon 3:04pm]



- NOTES:**
- ISOLATE AND TAPE BACK SHIELD AT THIS END ONLY.
 - AUXILIARY CONTACT ON DISCONNECT SWITCH SHALL BREAK BEFORE DISCONNECT OPENS AND MAKE AFTER DISCONNECT CLOSES.
 - HOLD PENDING FINAL DETAILS AFTER SUCCESSFUL PUMP SUPPLIER HAS BEEN DETERMINED AND SHOP DRAWINGS SUBMITTED FOR APPROVAL.
 - CABLE SHALL INCLUDE A 20 FOOT WHIP SO THAT THE CITY MAY TERMINATE CABLE WITHIN CONTROL ROOM.
 - VFD SHALL BE PROGRAMMED SUCH THAT WHEN "R4" IS CLOSED (VFD D4 INPUT IS CLOSED) THE VFD SHALL OPERATE AT ITS PROGRAMMED MINIMUM SPEED ONLY. ANY SPEED REFERENCE FROM DCS OR MANUALLY ENTERED SPEED REFERENCE FROM INTEGRAL VFD INTERFACE SHALL BE LOCKED OUT UNTIL RELAY 'R4' RELEASES CONTROL TO THE DCS OR LOCAL INTEGRAL INTERFACE.

- LEGEND**
- PUMP PROTECTION PANEL TERMINALS
 - VFD CONTROL ENCLOSURE TERMINALS
 - VFD TERMINALS
 - DCS TERMINALS
 - STATION DISCHARGE VALVE CONTROL PANEL TERMINALS
 - PUMP DISCHARGE VALVE TERMINALS
 - FIELD WIRING
 - PANEL WIRING
 - () CONDUCTOR IDENTIFICATION
 - WIRE CONNECTION
 - PILOT LIGHT
 - ◻ OUTPUT PLC OUTPUT
 - ◻ INPUT PLC INPUT



APEGN
 Certificate of Authorization
 KGS Group
 No. 245

FIELD BOOK #	
POSTED TO LBS	
DESIGNED BY	DDW
CHECKED BY	JLL
DRAWN BY	GCN
APPROVED BY	RED
HDR. SCALE	N.T.S.
VERTICAL	N.T.S.
RELEASED FOR CONSTRUCTION	
0 ISSUED FOR TENDER	2011-11-01
NO. REVISIONS	DATE
	2011 05 20

ENGINEER'S SEAL

 NOV. 7, 2011
 E32

THE CITY OF WINNIPEG
 WATER AND WASTE DEPARTMENT
 REPLACEMENT OF RAW SEWAGE PUMP P-3
 PERIMETER ROAD PUMPING STATION
ELECTRICAL
 PUMP M300PP
 VFD SCHEMATIC & WIRING DIAGRAM

SHEET 1 OF 1
 CITY DRAWING NUMBER