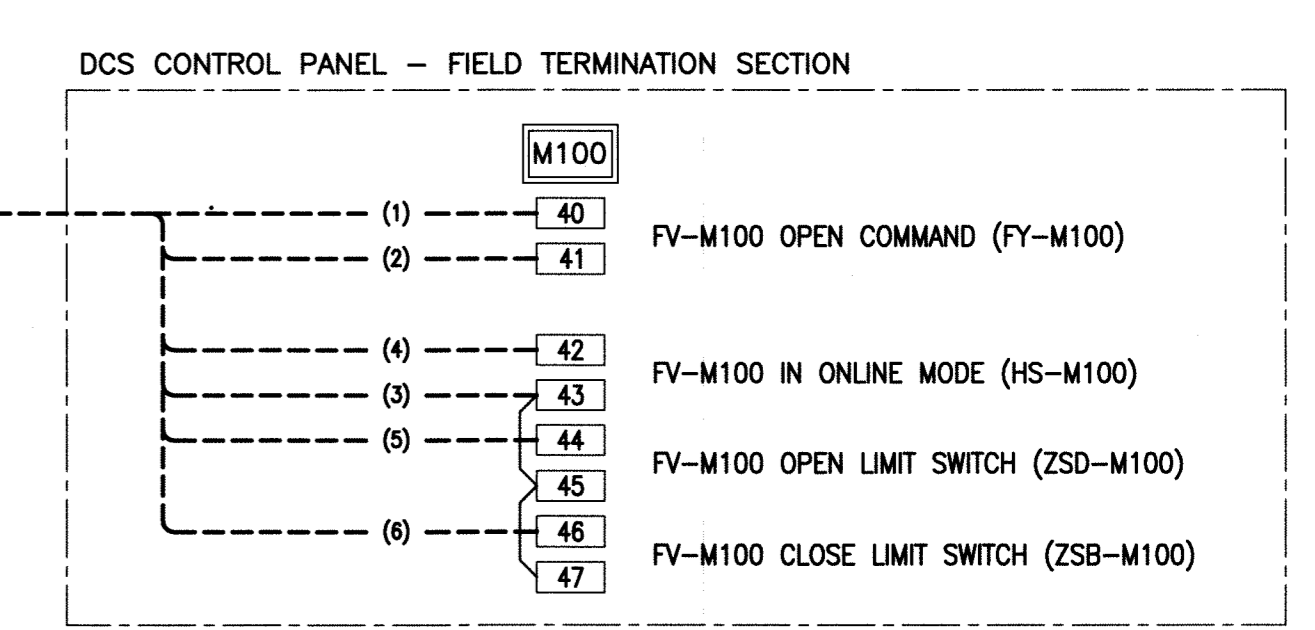
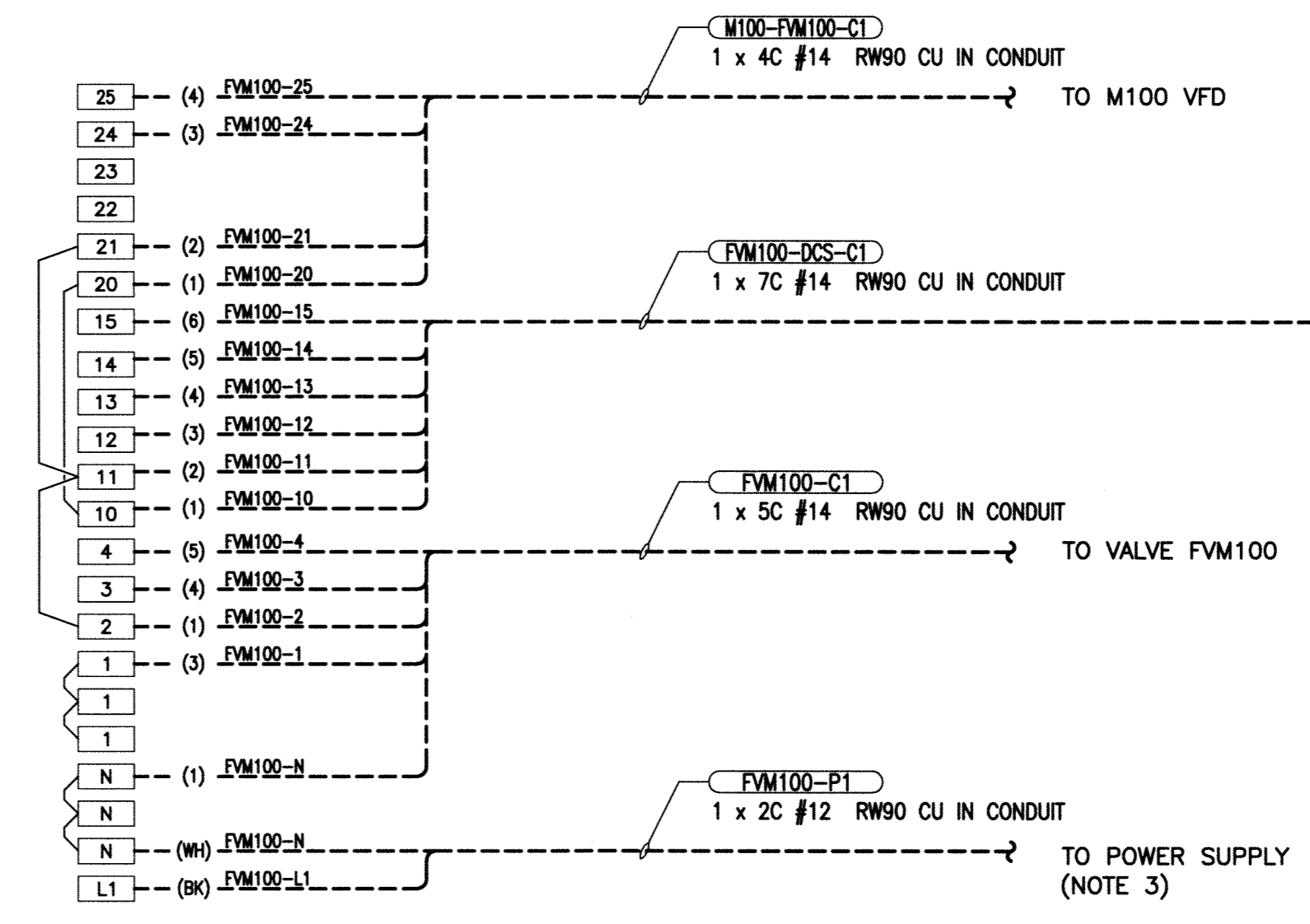
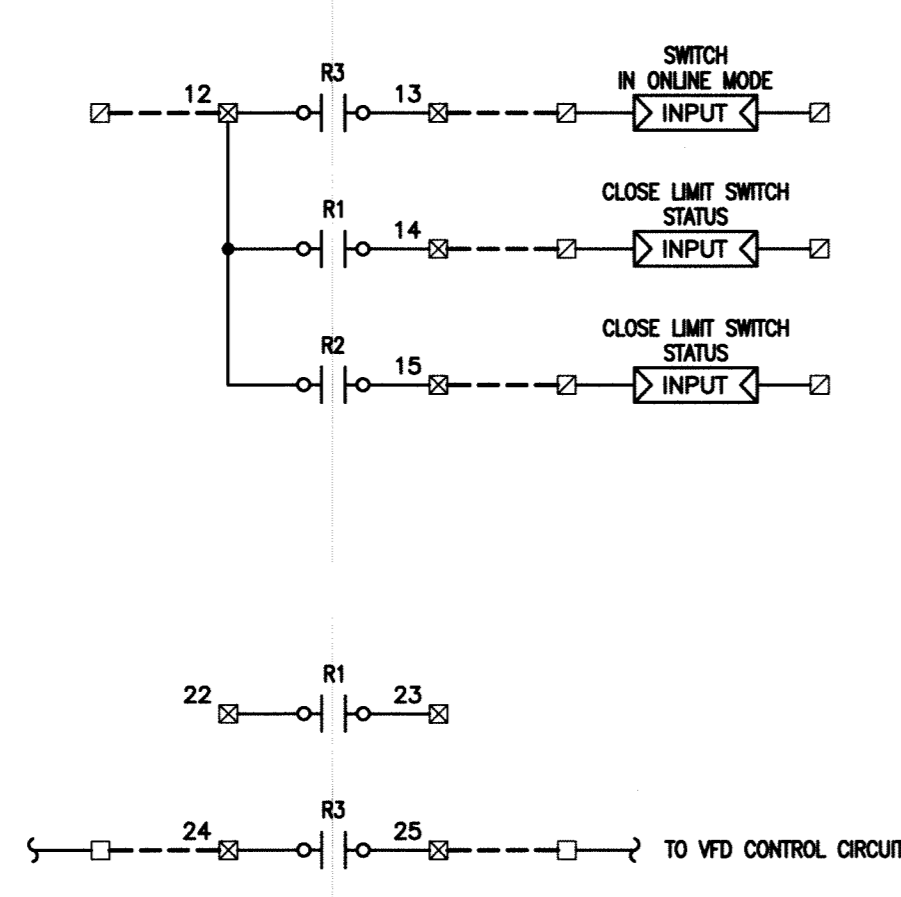
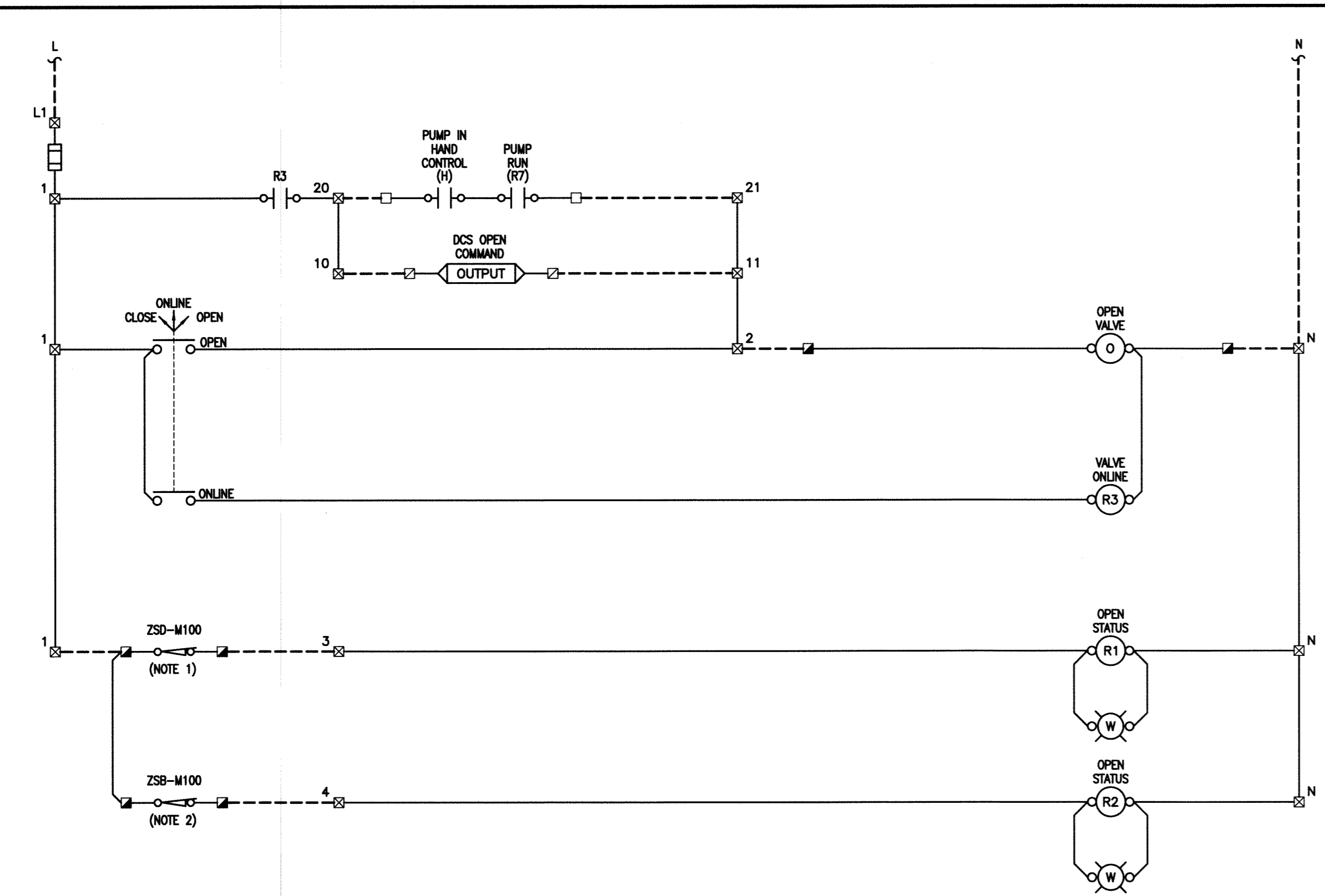
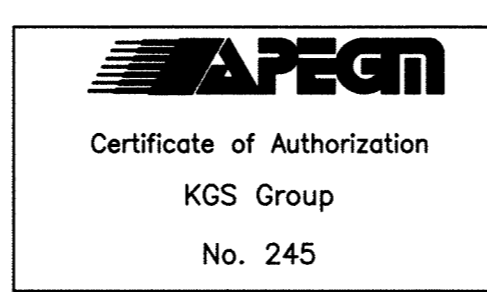


File Name: P:\Projects\2010\10-0107-23\Doc.Control\TeBelesued\DWG\720-2010\_Drawing\_E33-RO.dwg - Tab: E33 Plotted By: DDeracha 11/07/2011 [Mon 3:03pm]



- NOTES:**
- LIMIT SWITCH CONTACT CLOSURES TO PROVE VALVE IN THE OPEN POSITION.
  - LIMIT SWITCH CONTACT CLOSURES TO PROVE VALVE IN THE CLOSED POSITION.
  - CONTRACTOR TO EXTEND TO THE NEAREST AVAILABLE POWER PANEL. PROVIDE A NEW 15A SINGLE POLE BREAKER WITHIN THE PANEL.

- LEGEND**
- VFD CONTROL ENCLOSURE TERMINALS
  - VALVE TERMINALS
  - ▣ VFD TERMINALS
  - DCS TERMINALS
  - ▣ VALVE ENCLOSURE TERMINALS
  - - - FIELD WIRING
  - PANEL WIRING
  - ( ) CONDUCTOR IDENTIFICATION
  - WIRE CONNECTION
  - PILOT LIGHT
  - ◁ OUTPUT ▷ PLC OUTPUT
  - ▷ INPUT ◁ PLC INPUT



B.M. ELEV.	FIELD BOOK #
POSTED TO LBIS	
DESIGNED BY DDW	CHECKED BY JLL
DRAWN BY GCN	APPROVED BY RED
HR. SCALE N.T.S.	RELEASED FOR CONSTRUCTION
VERTICAL N.T.S.	
0 ISSUED FOR TENDER	2011-11-07
NO. REVISIONS	DATE

**KGS GROUP**  
CONSULTING ENGINEERS

DESIGNED BY DDW  
DRAWN BY GCN  
HR. SCALE N.T.S.  
VERTICAL N.T.S.

CHECKED BY JLL  
APPROVED BY RED  
RELEASED FOR CONSTRUCTION

DATE 2011 05 20

ENGINEER'S SEAL

*TRIALONDE*  
Member  
32345  
PROFESSIONAL ENGINEER

Nov. 7, 2011

E33

**THE CITY OF WINNIPEG**  
WATER AND WASTE DEPARTMENT

REPLACEMENT OF RAW SEWAGE PUMP P-3  
PERIMETER ROAD PUMPING STATION  
**ELECTRICAL**  
PUMP M100PP DISCHARGE VALVE FV-M100  
SCHEMATIC & WIRING DIAGRAM

SHEET 1 OF 1  
CITY DRAWING NUMBER