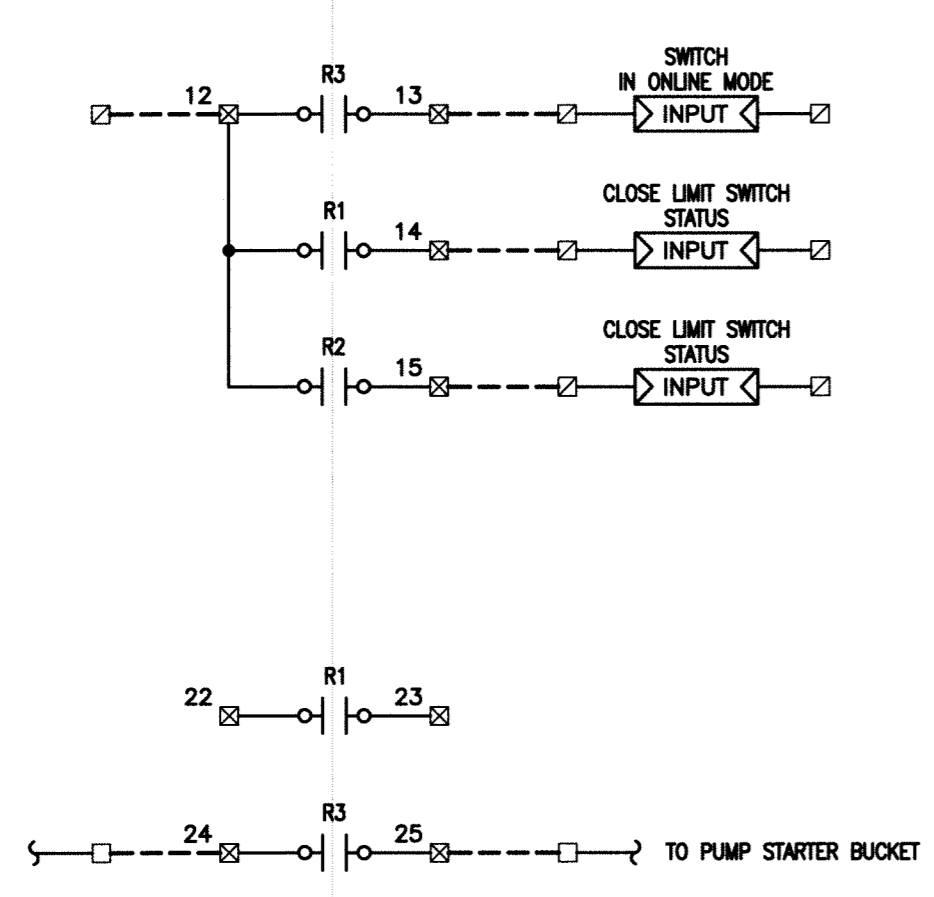
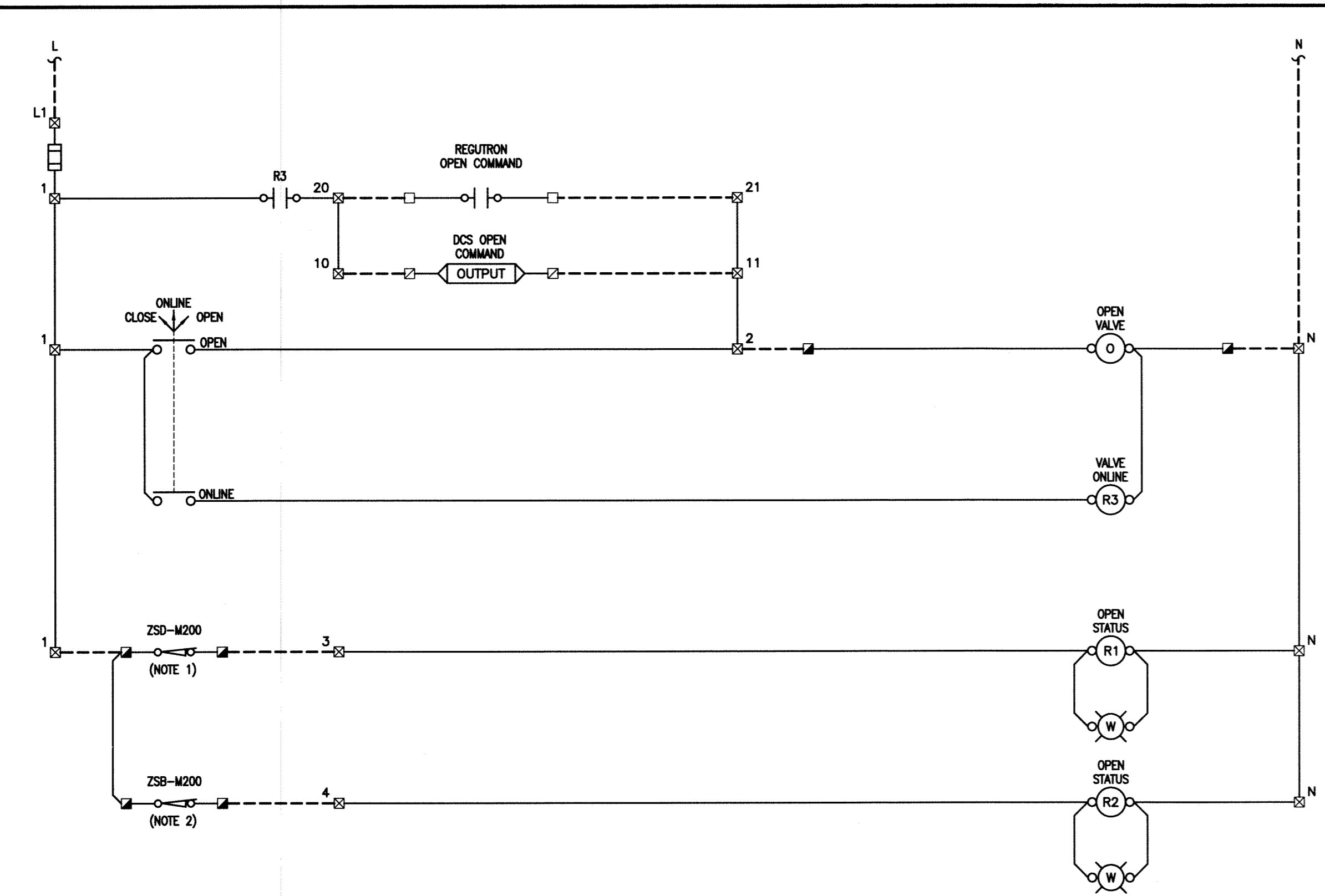
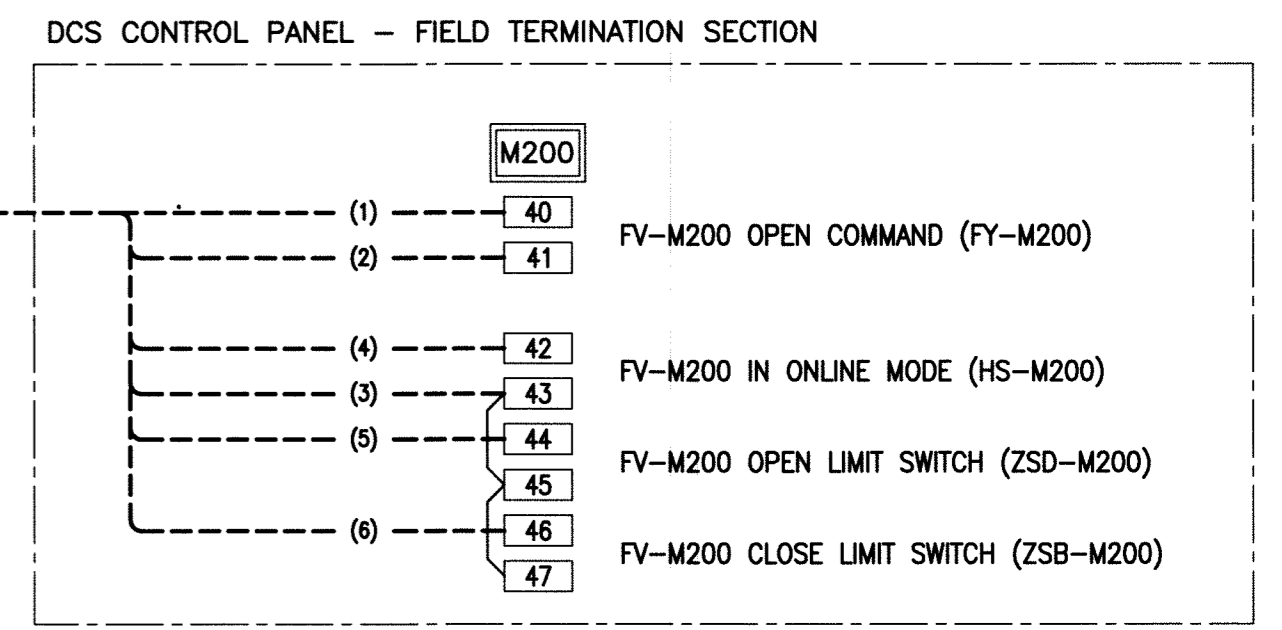
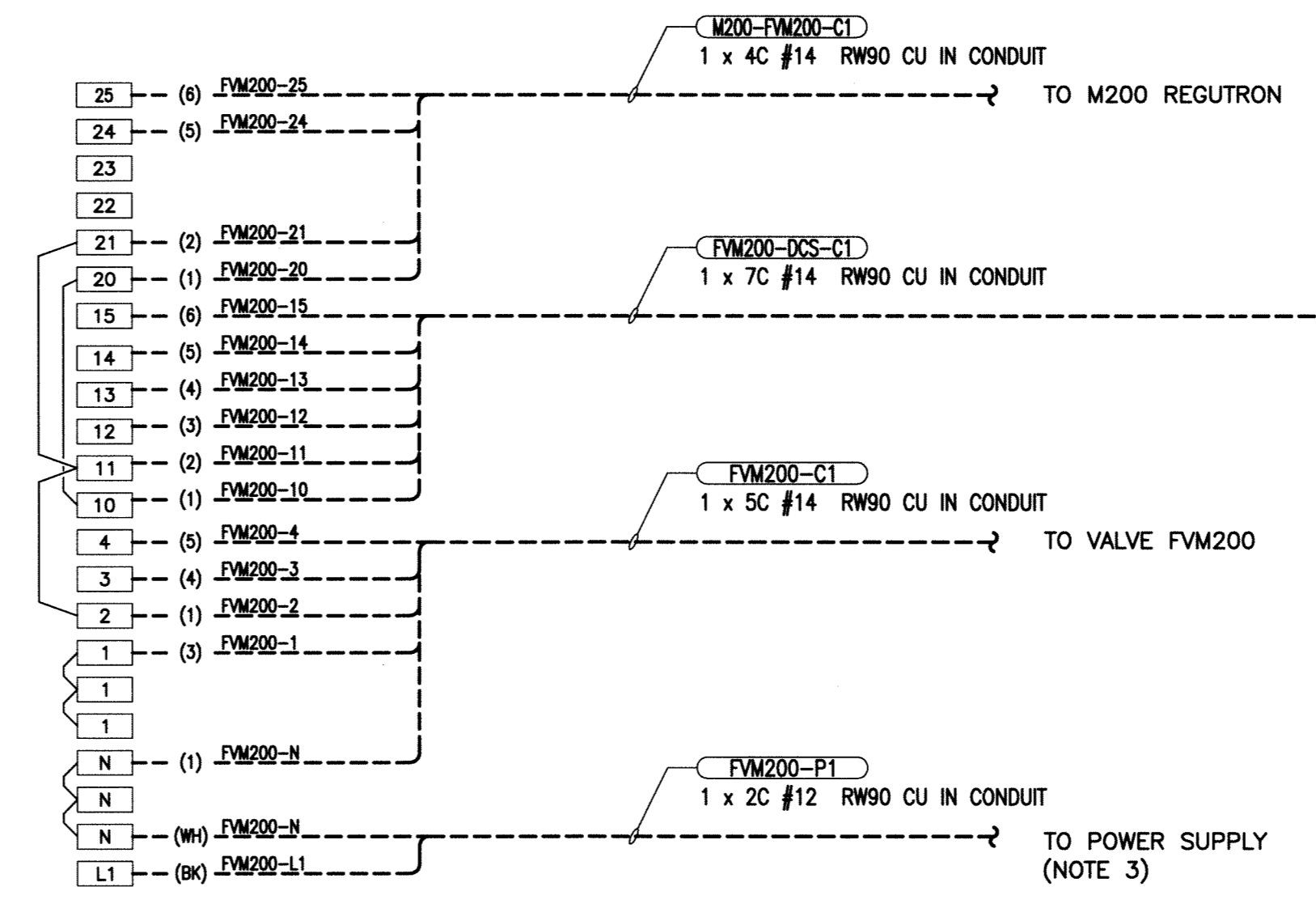


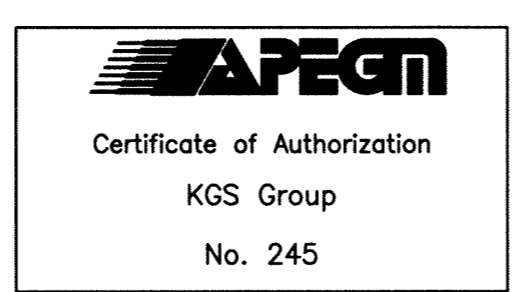
File Name: P:\Projects\2010\10-0107-23\Doc.Control\ToBeIssued\DWG\720-2010_Drawing_E34-R0.dwg -- Tab: E34 Plotted By: DDeroccha 11/07/2011 [Mon, 3:03pm]



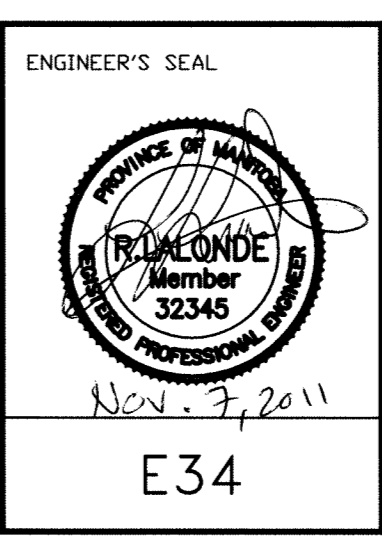
- NOTES:**
- LIMIT SWITCH CONTACT CLOSURES TO PROVE VALVE IN THE OPEN POSITION.
 - LIMIT SWITCH CONTACT CLOSURES TO PROVE VALVE IN THE CLOSED POSITION.
 - CONTRACTOR TO EXTEND TO THE NEAREST AVAILABLE POWER PANEL. PROVIDE A NEW 15A SINGLE POLE BREAKER WITHIN THE PANEL.



- LEGEND**
- VFD CONTROL ENCLOSURE TERMINALS
 - VALVE TERMINALS
 - VFD TERMINALS
 - DCS TERMINALS
 - ⊗ VALVE ENCLOSURE TERMINALS
 - FIELD WIRING
 - PANEL WIRING
 - () CONDUCTOR IDENTIFICATION
 - WIRE CONNECTION
 - PILOT LIGHT
 - ◀ OUTPUT ▶ PLC OUTPUT
 - ◀ INPUT ▶ PLC INPUT



B.M. ELEV.	FIELD BOOK #
POSTED TO L.B.S.	
DESIGNED BY DDW	CHECKED BY JLL
DRAWN BY GCN	APPROVED BY RED
HDR. SCALE N.T.S.	RELEASED FOR CONSTRUCTION
VERTICAL N.T.S.	
NO. 0	ISSUED FOR TENDER
NO. REVISIONS	DATE 2011-11-01
DATE 2011-05-20	DATE



THE CITY OF WINNIPEG
WATER AND WASTE DEPARTMENT

REPLACEMENT OF RAW SEWAGE PUMP P-3
PERIMETER ROAD PUMPING STATION
ELECTRICAL
PUMP M200PP DISCHARGE VALVE FV-M200
SCHEMATIC & WIRING DIAGRAM

SHEET 1 OF 1
CITY DRAWING NUMBER