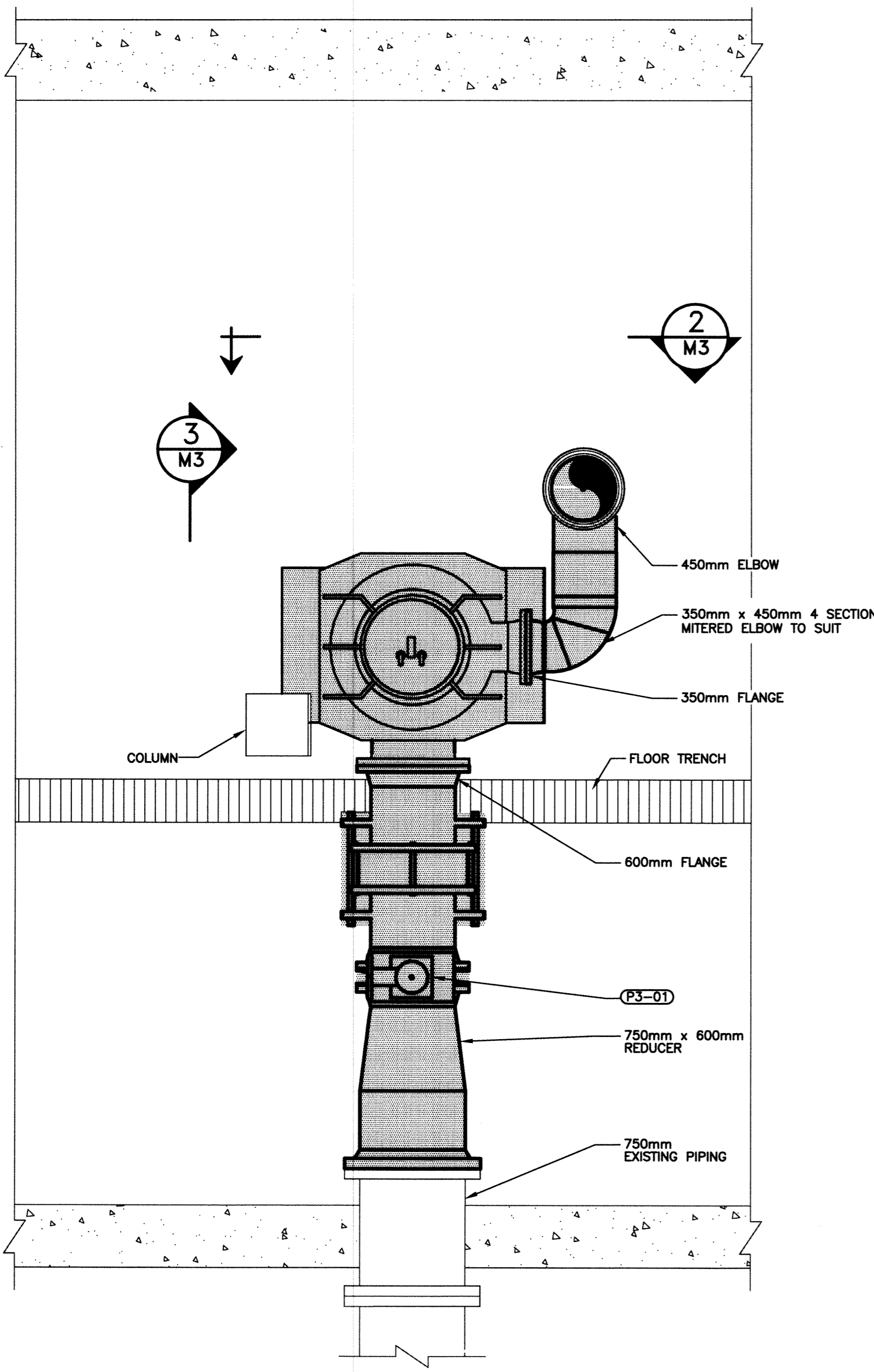
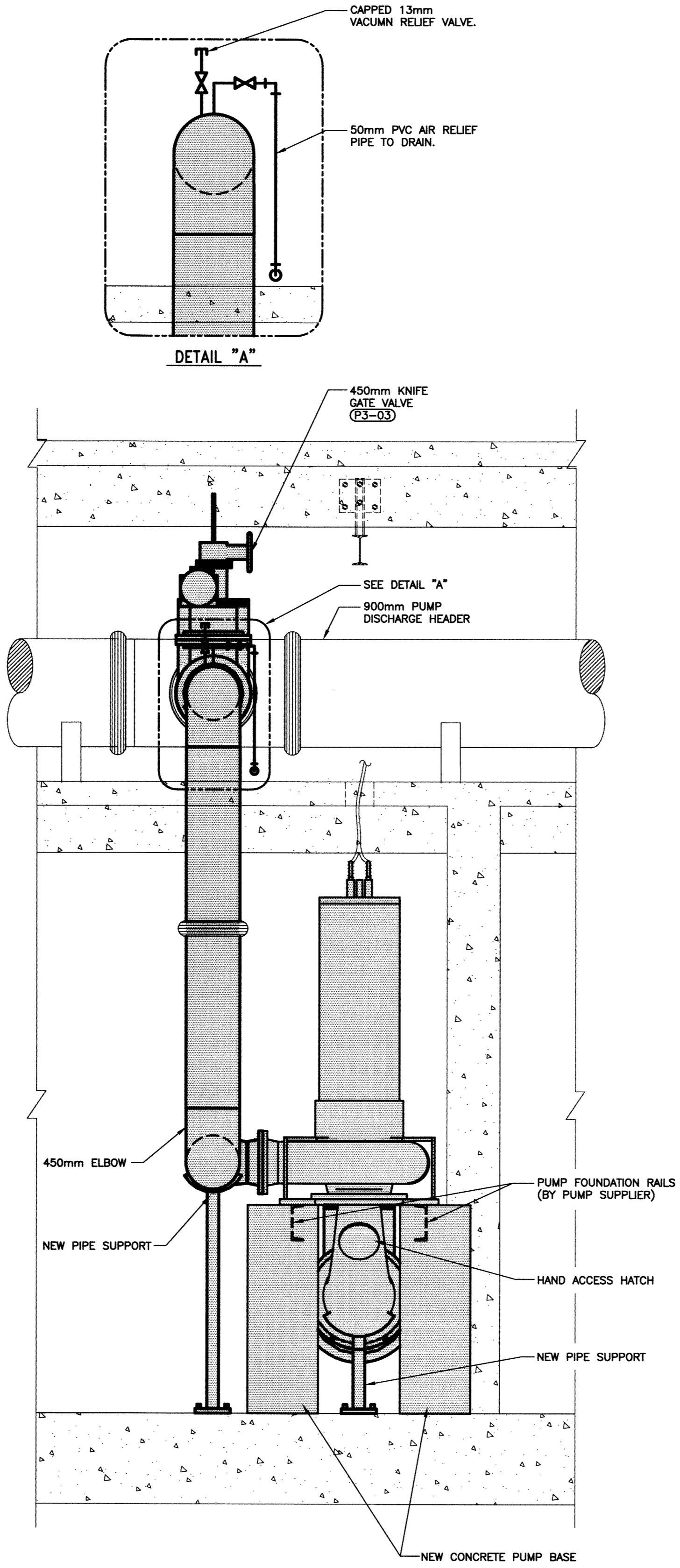


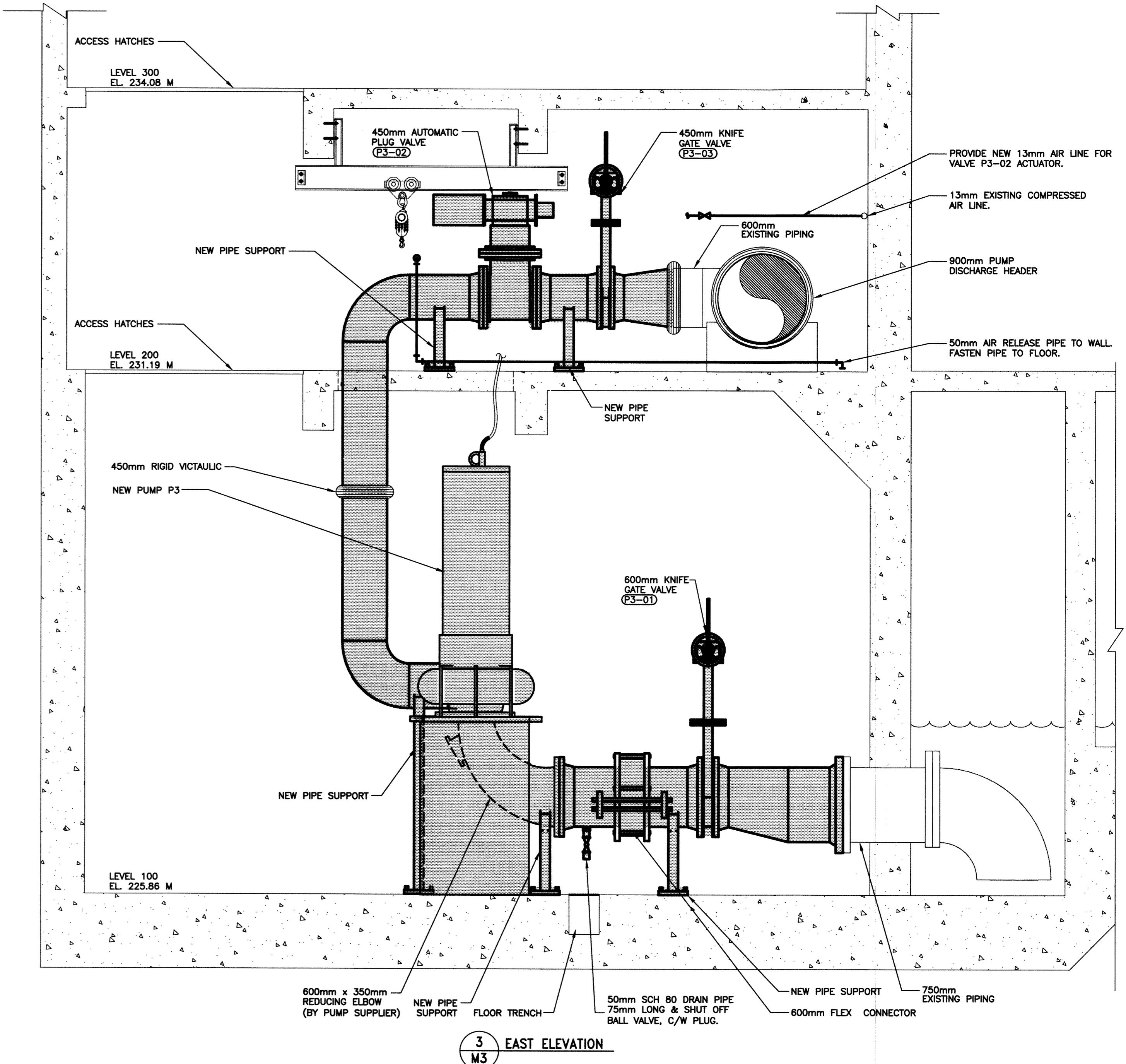
NOTES:
 1. GRADE ELEVATION AT 238.66 M



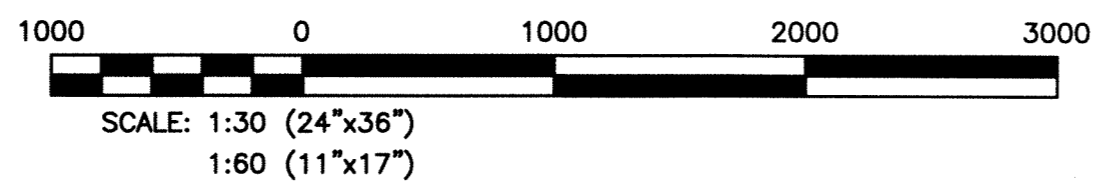
1 PLAN - LEVEL 100



2 SOUTH ELEVATION



3 EAST ELEVATION



FIELD BOOK #:				ENGINEER'S SEAL	
POSTED TO L.B.S.					
		DESIGNED BY: RED	CHECKED BY: JS	M03	
		DRAWN BY: MSL	APPROVED BY: RED		
		HDR. SCALE: AS NOTED	RELEASED FOR CONSTRUCTION: AS NOTED		
0	ISSUED FOR TENDER	11 11 07	2011 07 15		
NO.	REVISIONS	DATE	BY	DATE	

THE CITY OF WINNIPEG
 WATER AND WASTE DEPARTMENT
 REPLACEMENT OF RAW SEWAGE PUMP P-3
 PERIMETER ROAD PUMPING STATION
MECHANICAL
 NEW PUMP P3 & RELATED PIPING

SHEET 1 OF 1
 CITY DRAWING NUMBER