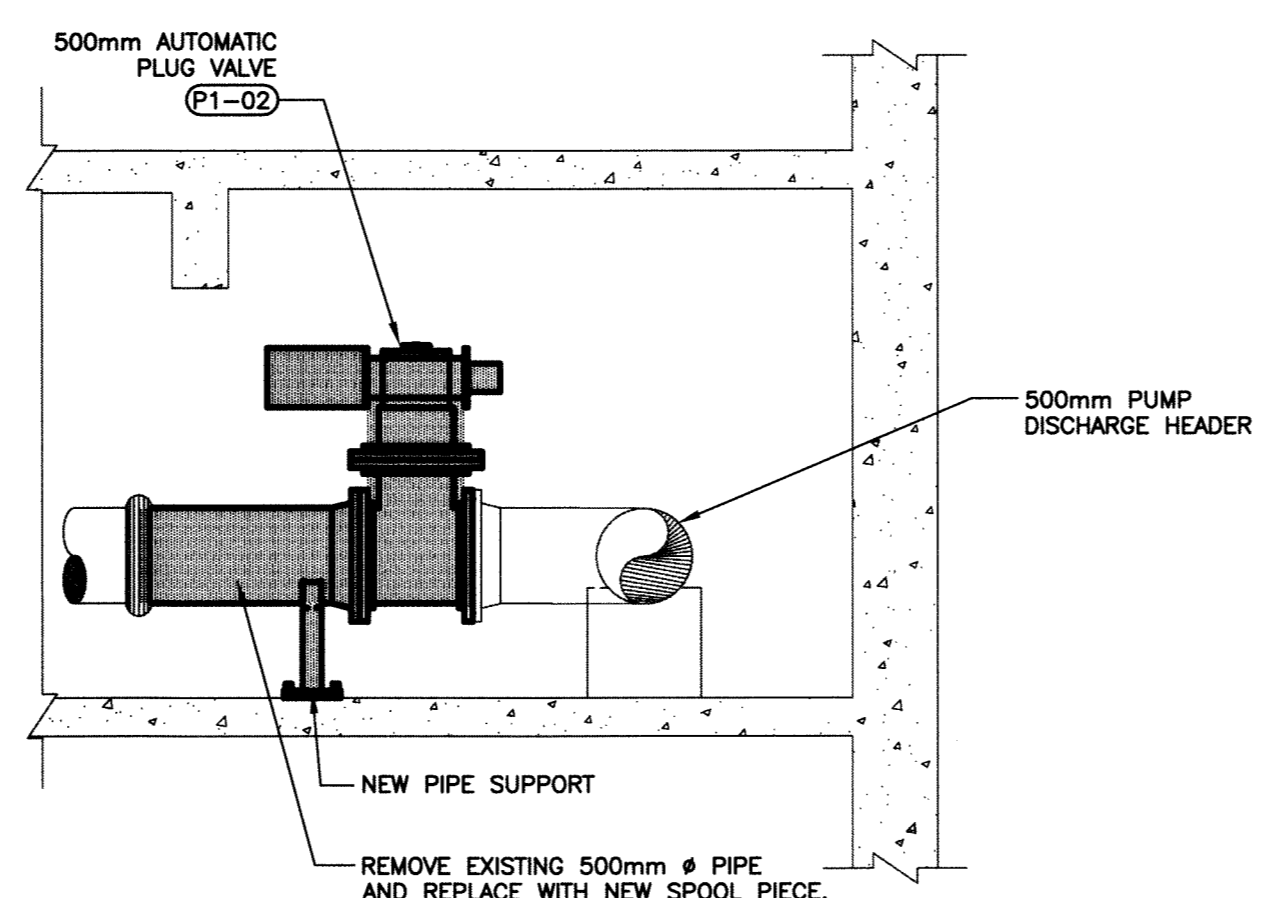
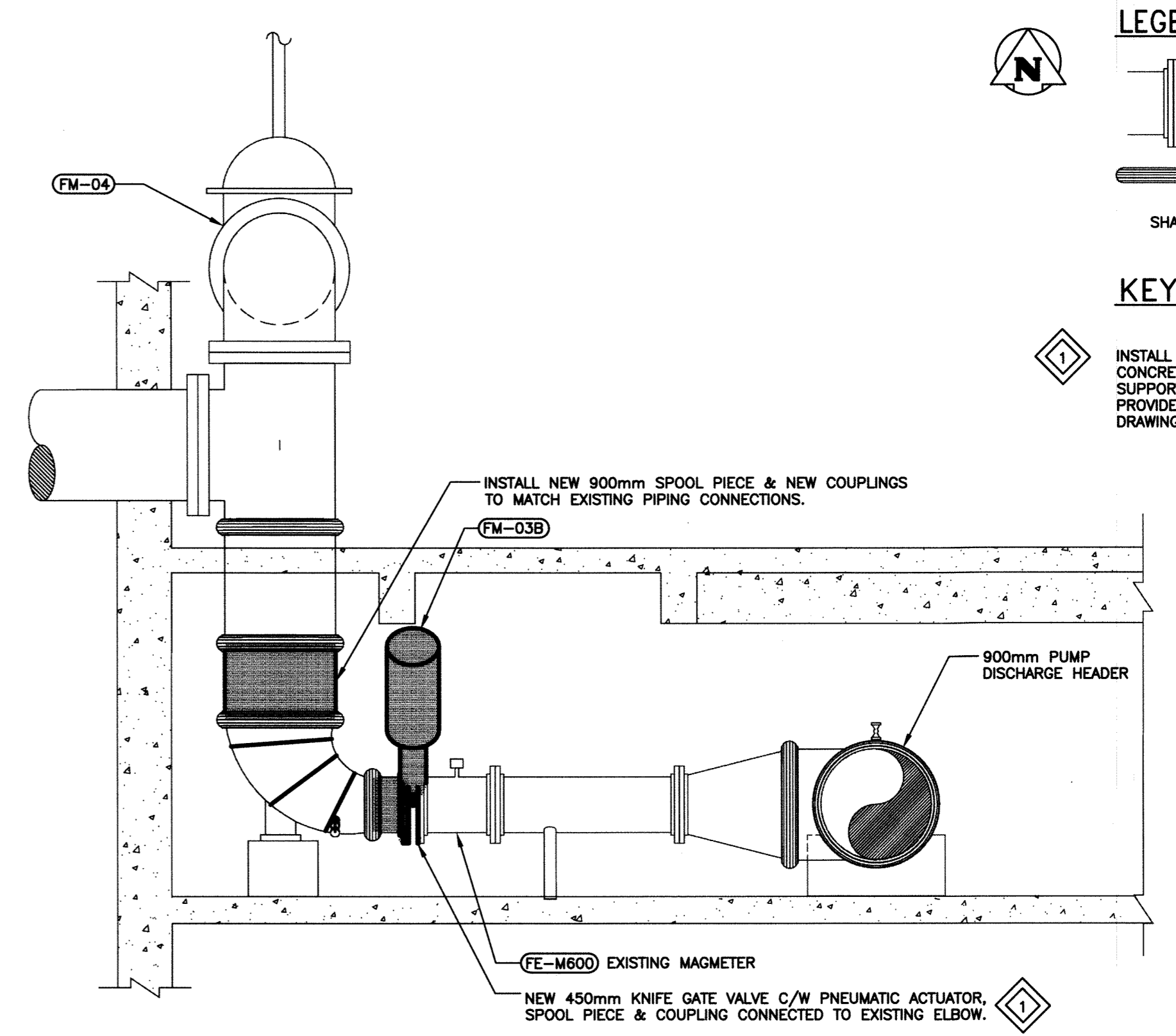


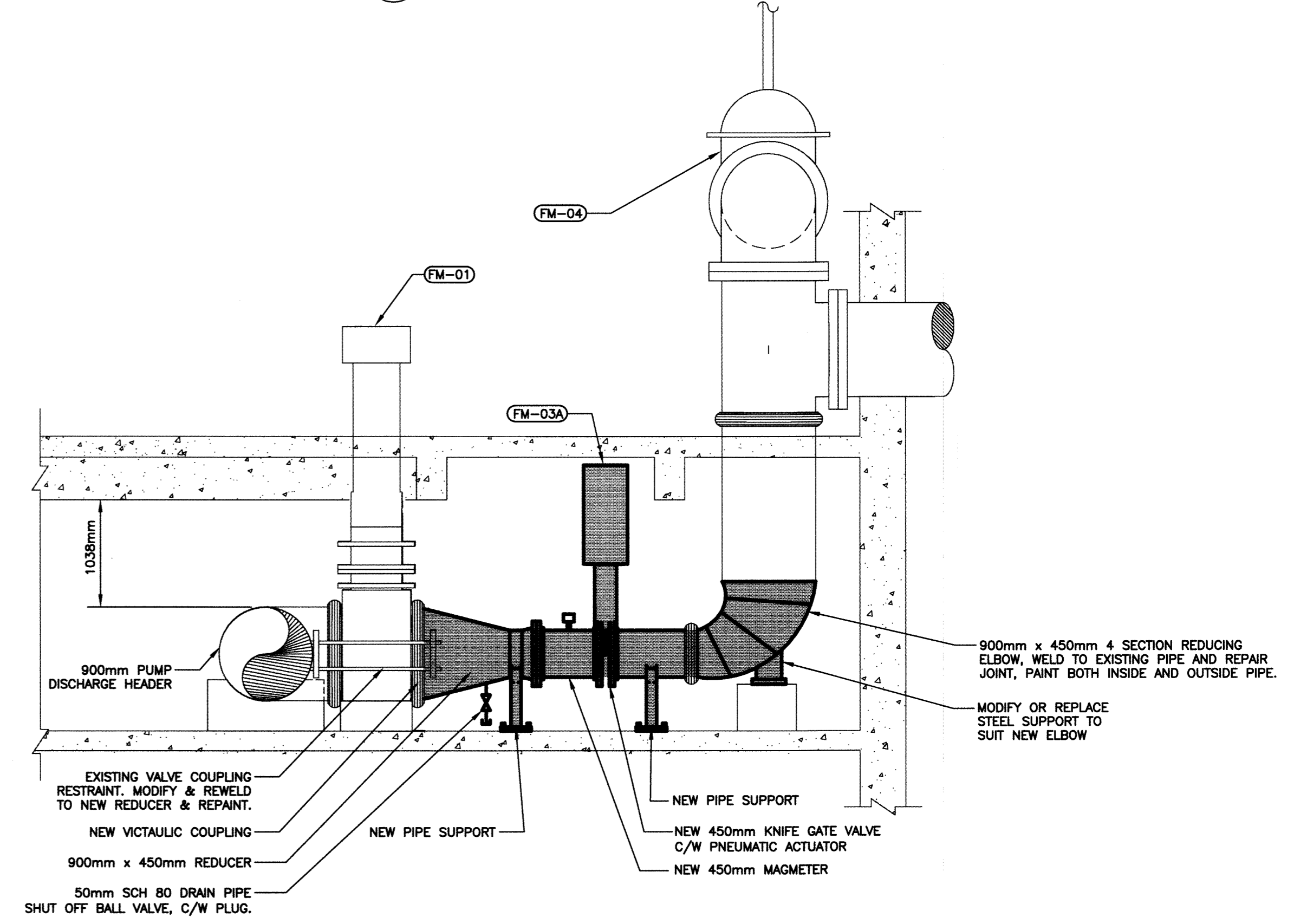
1 PLAN LEVEL 200 - STATION DISCHARGE MAGMETERS



4 SECTION - EXISTING PLUG VALVE REPLACEMENT



3 SECTION - EXISTING MAGMETER



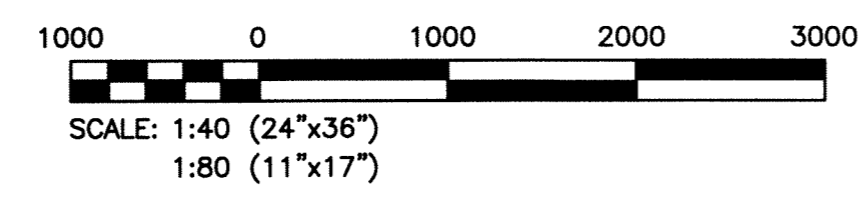
2 SECTION - NEW MAGMETER

LEGEND:

- FLANGED CONNECTION
- VICTAULIC COUPLING
- SHADED
- NEW PIPING & EQUIPMENT

KEY NOTES:

1. INSTALL ACTUATOR AT AN ANGLE TO CLEAR CONCRETE BEAM ABOVE BY MINIMUM 100mm. SUPPORT ACTUATOR FROM CONCRETE ABOVE. PROVIDE SUPPORT DETAIL, PROVIDE SHOP DRAWING FOR REVIEW.



APEGN
Certificate of Authorization
KGS Group
No. 245

FIELD BOOK #		KGS GROUP CONSULTING ENGINEERS		ENGINEER'S SEAL	
POSTED TO LBS				 R.E. DERKSEN PROFESSIONAL ENGINEER	
DESIGNED BY	RED	CHECKED BY	JS		
DRAWN BY	HSL	APPROVED BY	RED		
HDR. SCALE AS NOTED		RELEASED FOR CONSTRUCTION			
VERTICAL AS NOTED		DATE			
0	ISSUED FOR TENDER	11 11 07	2011 07 15		
NO.	REVISIONS	DATE	BY	DATE	

THE CITY OF WINNIPEG
WATER AND WASTE DEPARTMENT

REPLACEMENT OF RAW SEWAGE PUMP P-3
PERIMETER ROAD PUMPING STATION
MECHANICAL
LEVEL 200
NEW PIPING SYSTEM

SHEET 1 OF 1
CITY DRAWING NUMBER