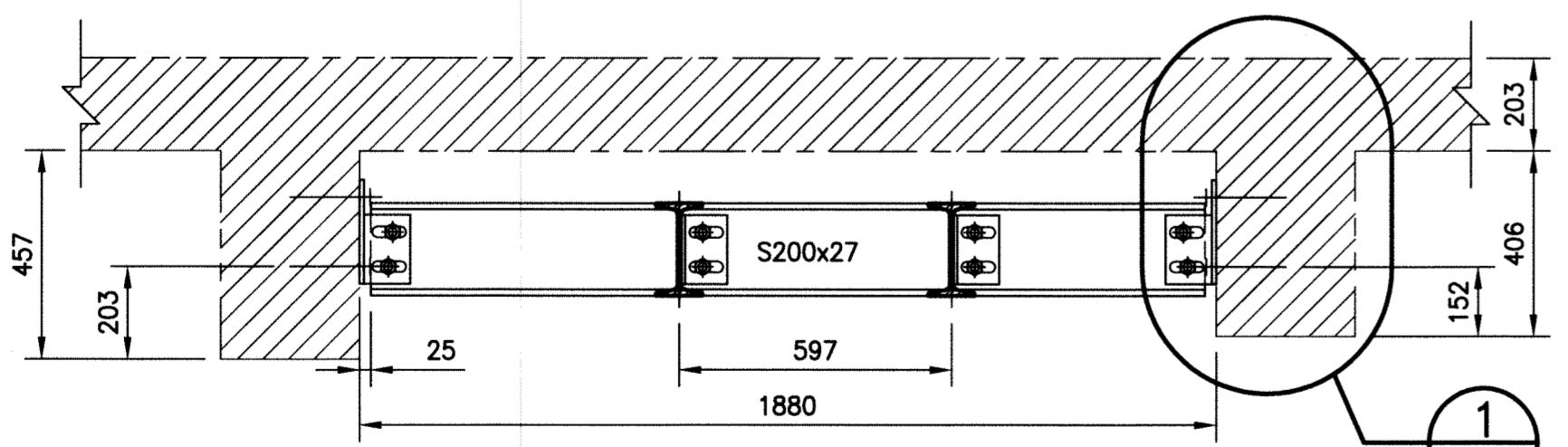
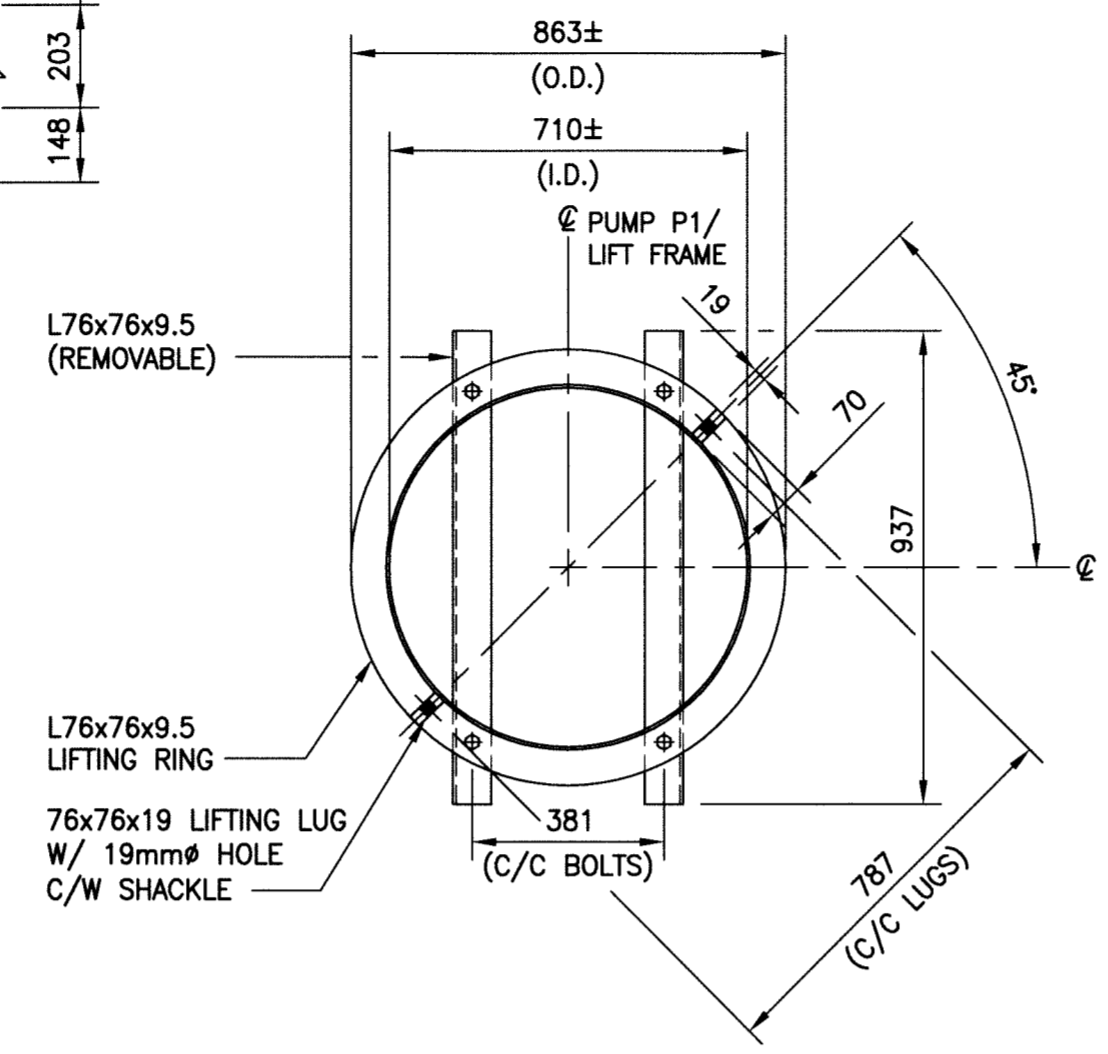


**A** SECTION S01 SCALE: 1:15

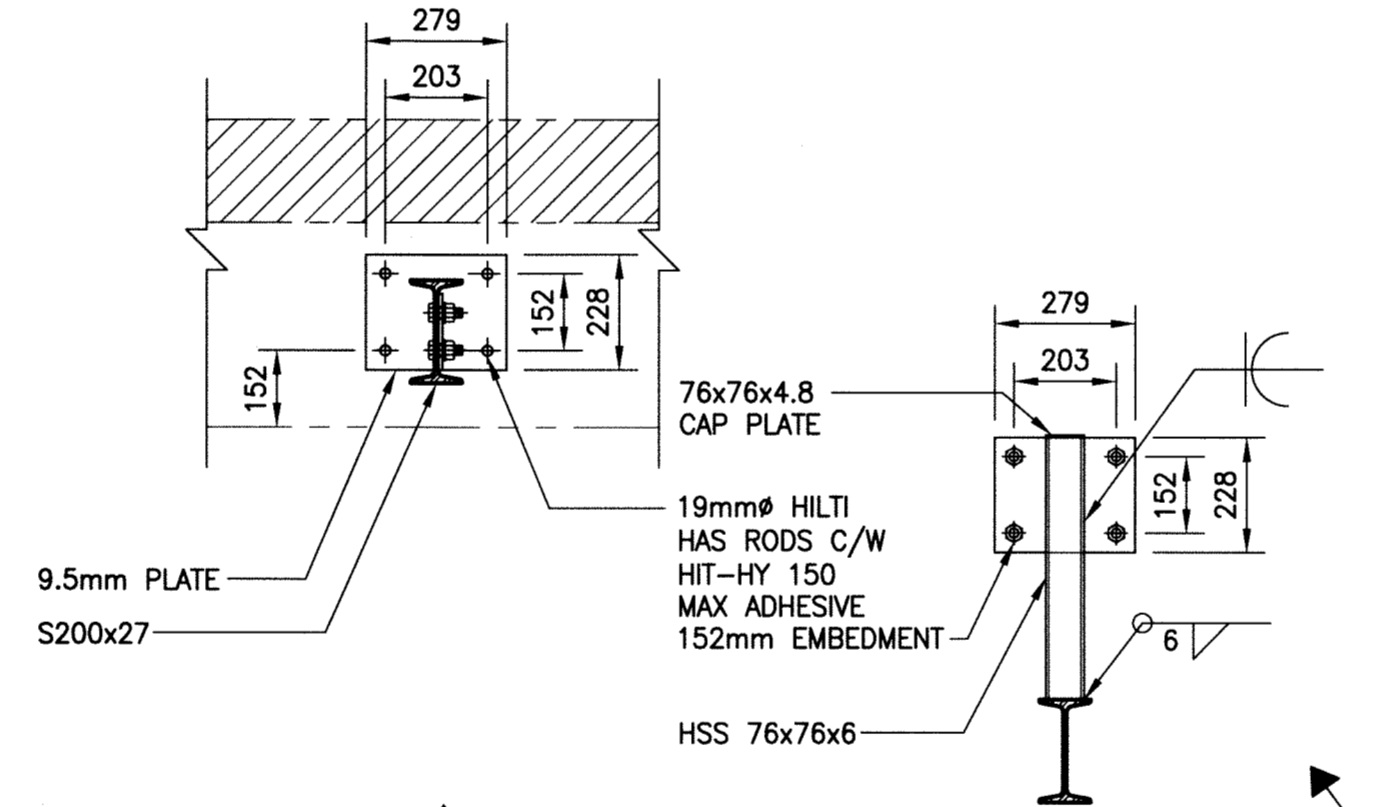


**C** SECTION S01 SCALE: 1:15

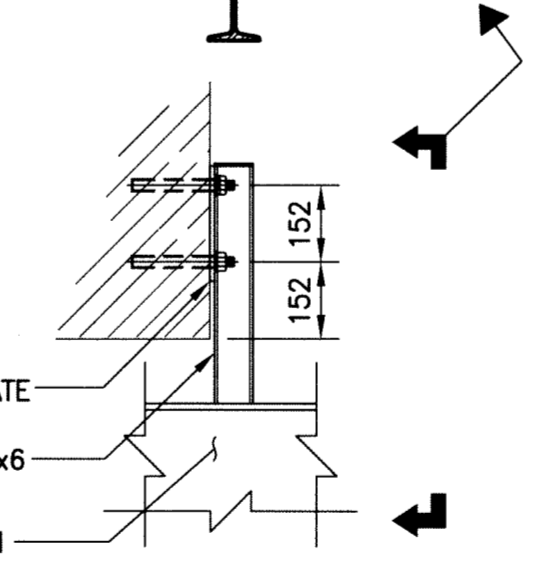
DIMENSIONS ARE APPROXIMATE ONLY.



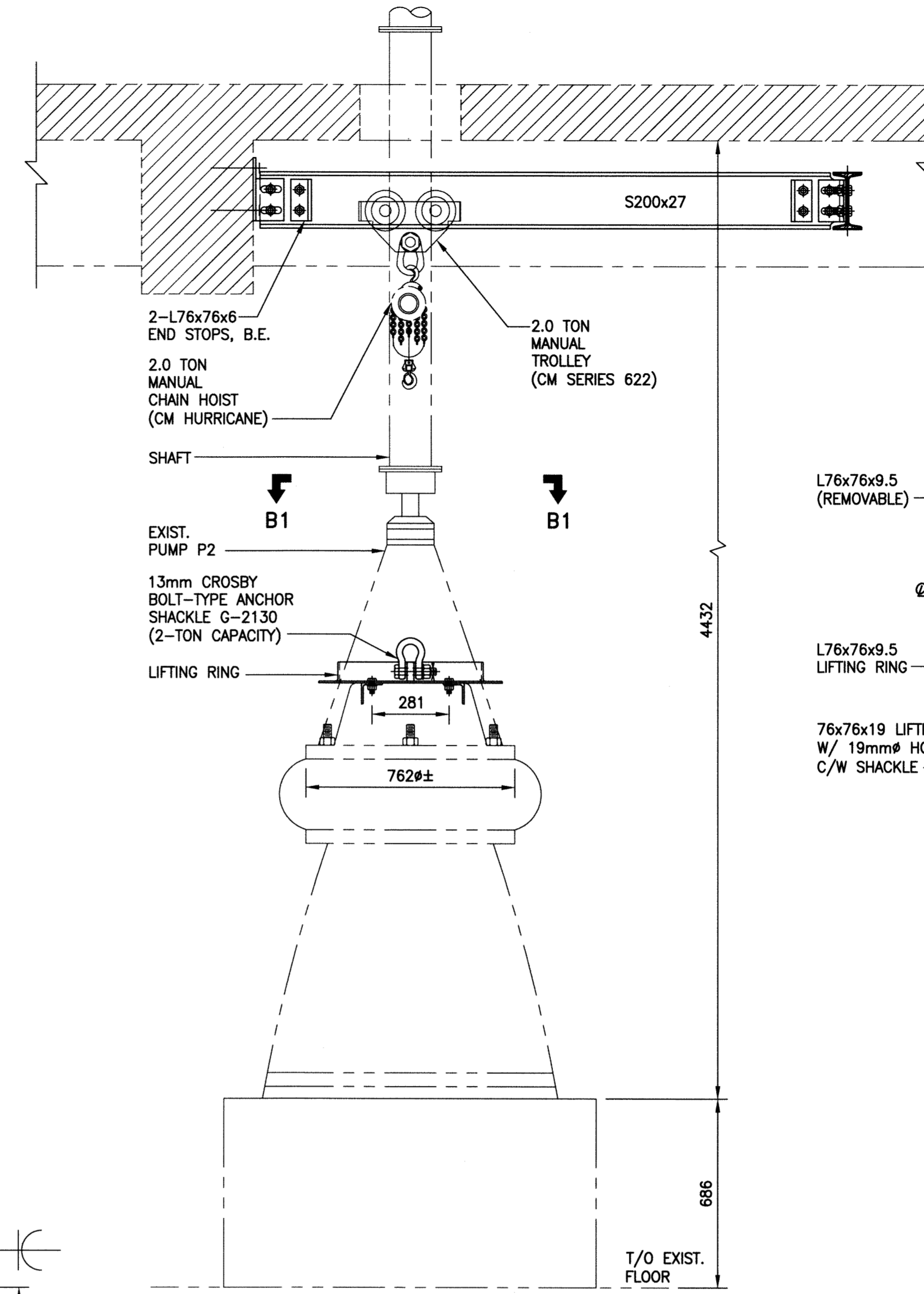
PUMP NOT SHOWN FOR CLARITY  
**SECTION B-B**  
SCALE: 1: 15



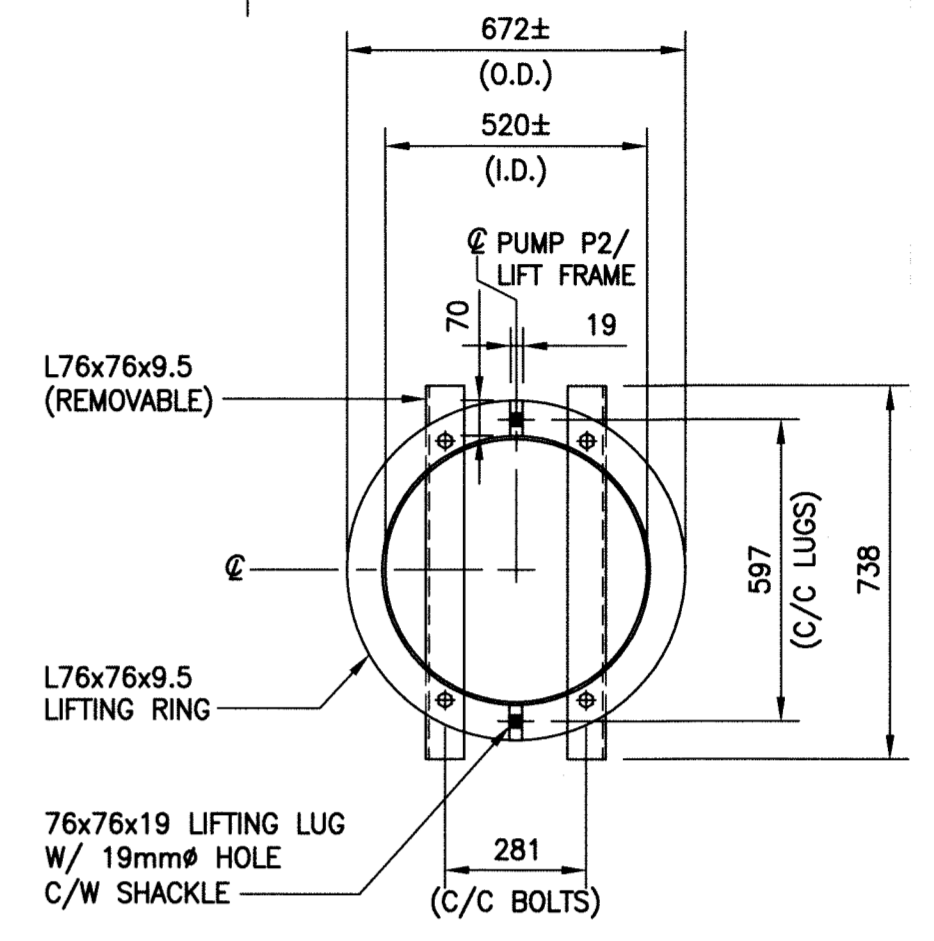
**1** DETAIL SCALE: 1:15



**2** DETAIL (TYP.) SCALE: 1:15

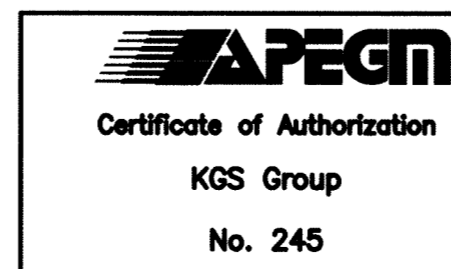
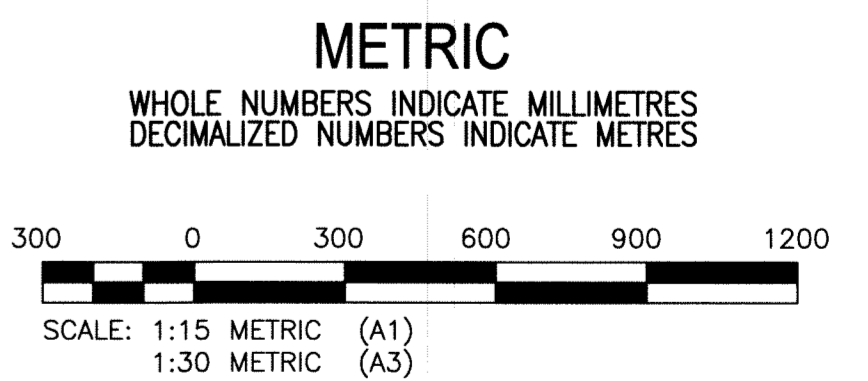


(LOOKING SOUTH)  
**B** SECTION S01 SCALE: 1:15

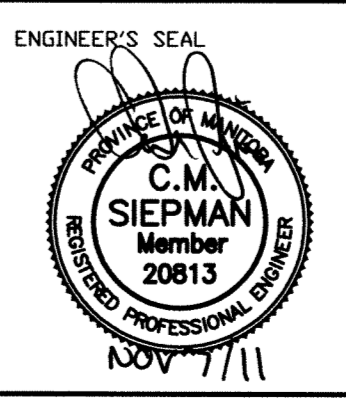


PUMP NOT SHOWN FOR CLARITY  
**SECTION B1-B1**  
SCALE: 1: 15

REFER TO DWG. S01 FOR GENERAL NOTES.



FIELD BOOK #:	
POSTED TO LBS:	
DESIGNED BY:	JMW
CHECKED BY:	CMS
DRAWN BY:	FBV
APPROVED BY:	RED
HDR. SCALE:	AS NOTED
RELEASED FOR CONSTRUCTION:	
0 ISSUED FOR TENDER:	11 11 07
VERTICAL SCALE:	AS NOTED
DATE:	2011 06 8
DATE:	



S02

**THE CITY OF WINNIPEG**  
WATER AND WASTE DEPARTMENT

REPLACEMENT OF RAW SEWAGE PUMP P-3  
PERIMETER ROAD PUMPING STATION

**STRUCTURAL**  
SECTIONS/DETAILS (1 OF 2)

SHEET 1 OF 1  
CITY DRAWING NUMBER