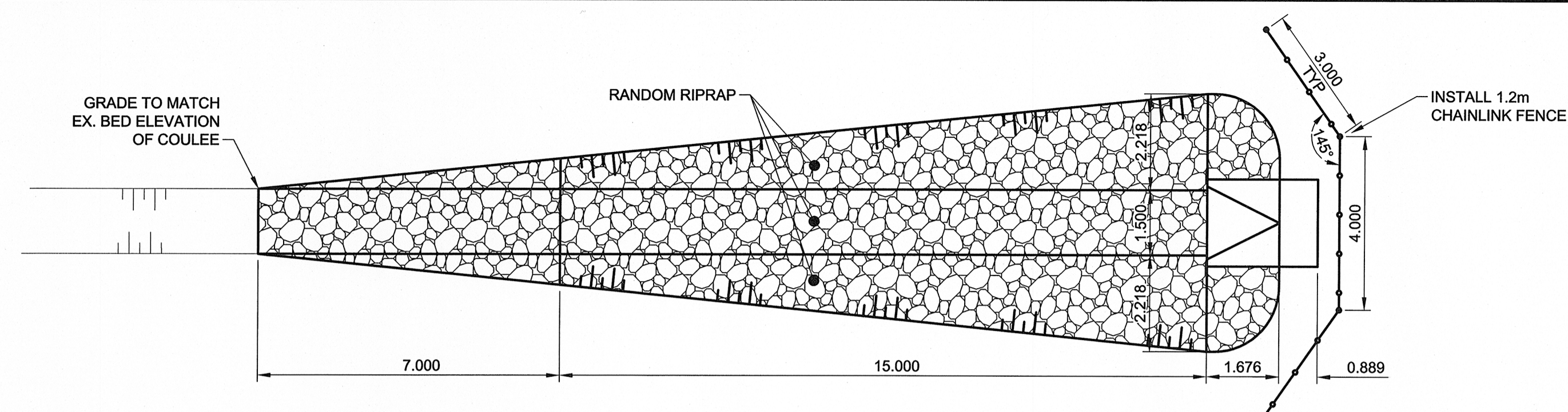


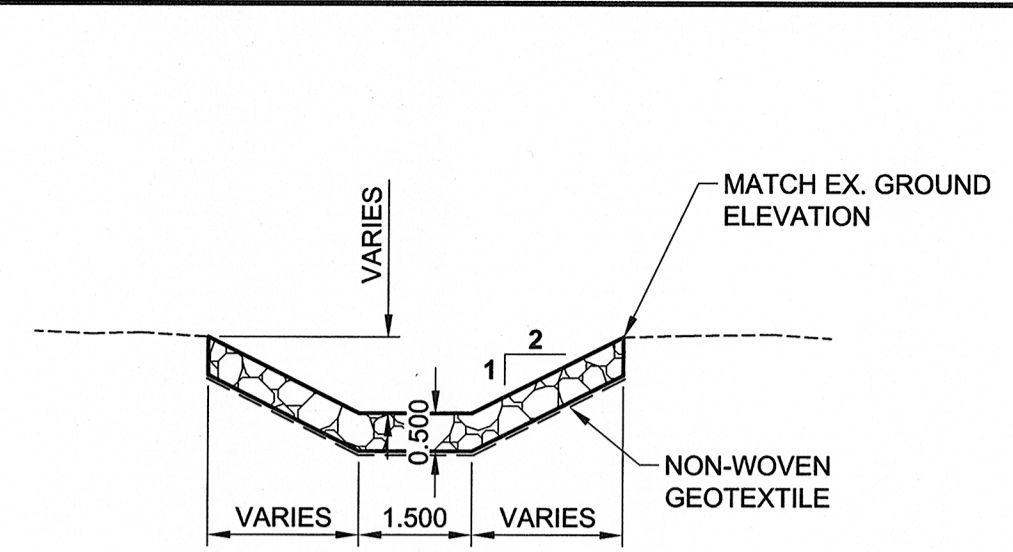
D SIZE 22" x 34" (559mm x 864mm)

PLOT: 11/11/30 5:08:32 PM

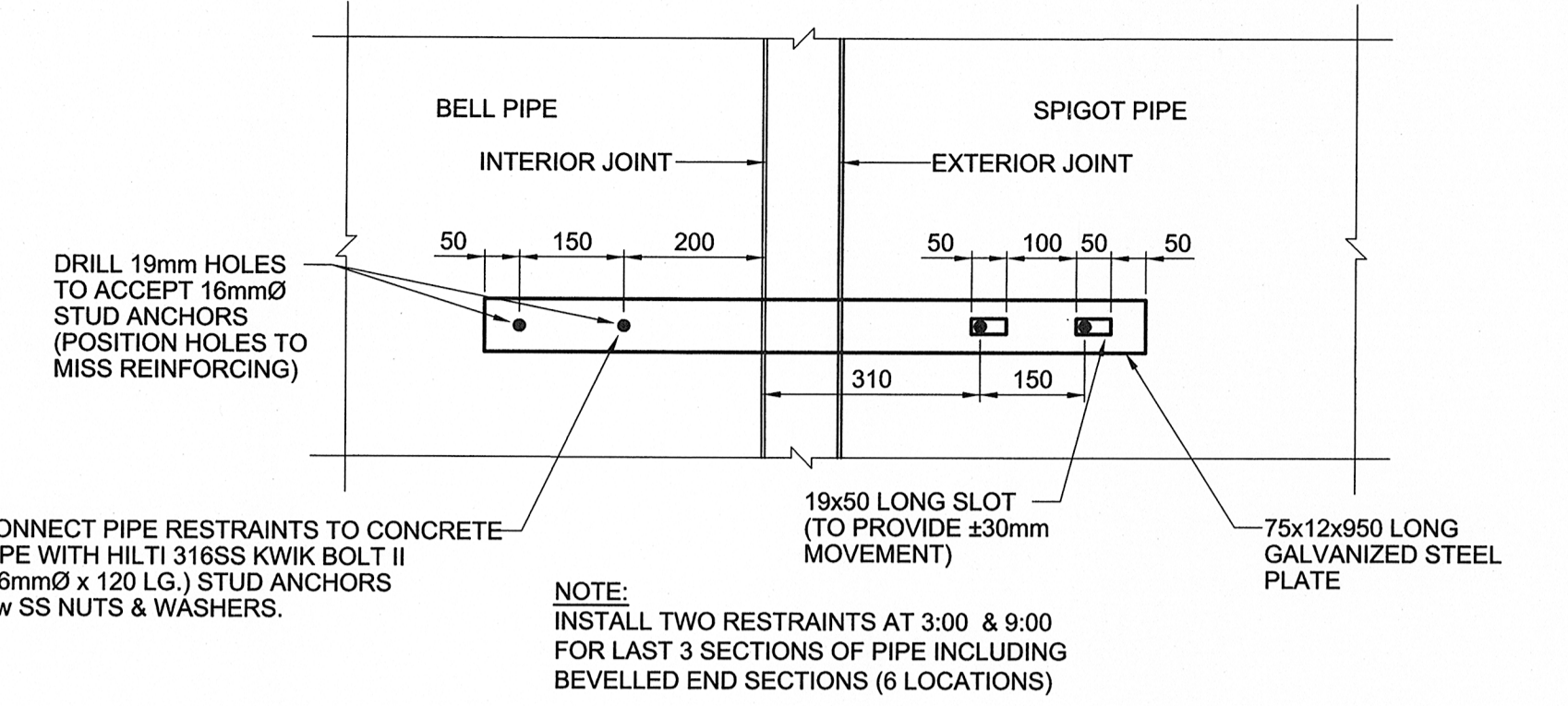
AECOM REVIEW DRFT CHK
AECOM FILE NAME: 60221826-01-C-102-R0X.dwg Saved By: cooperfd



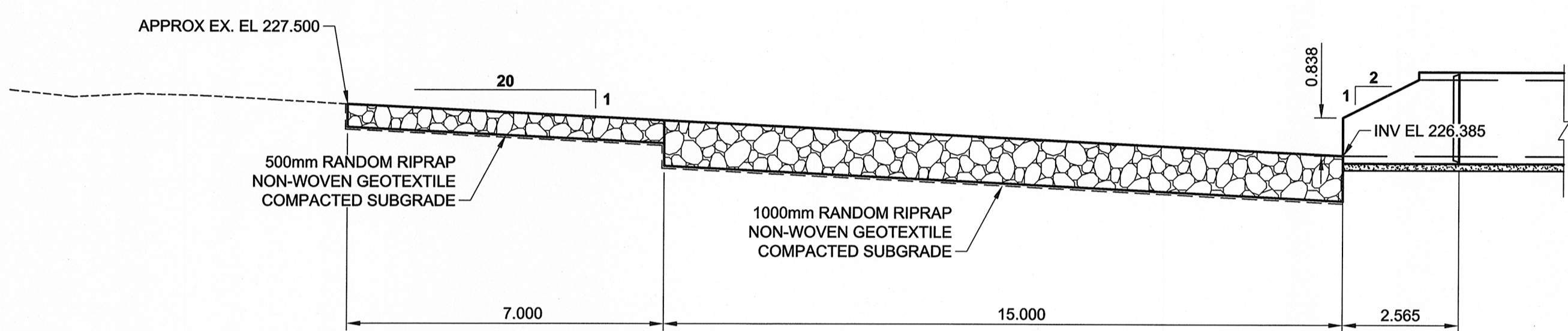
1650Ø CONCRETE CULVERT INLET STRUCTURE
PLAN



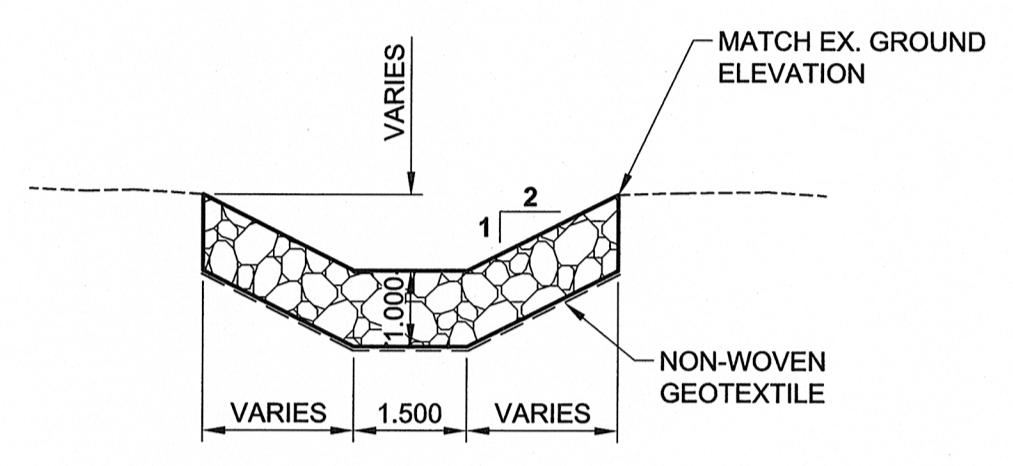
TYPICAL CROSS-SECTION
500mm RANDOM RIPRAP



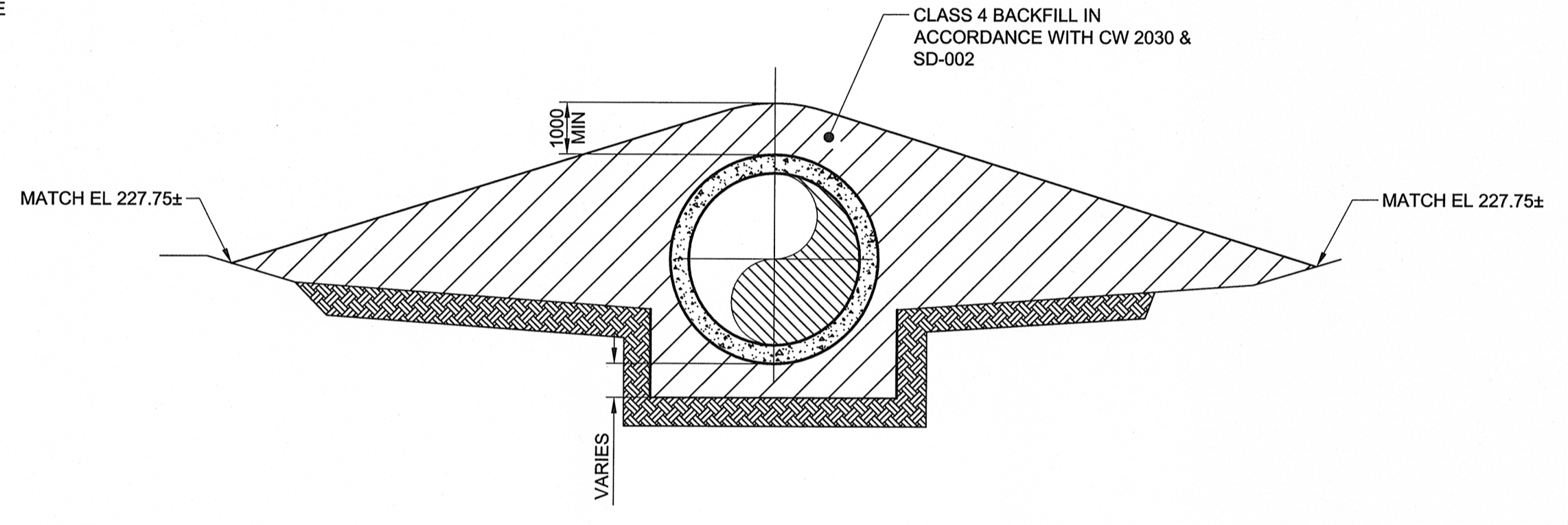
INTERNAL PIPE RESTRAINT
SCALE 1:10



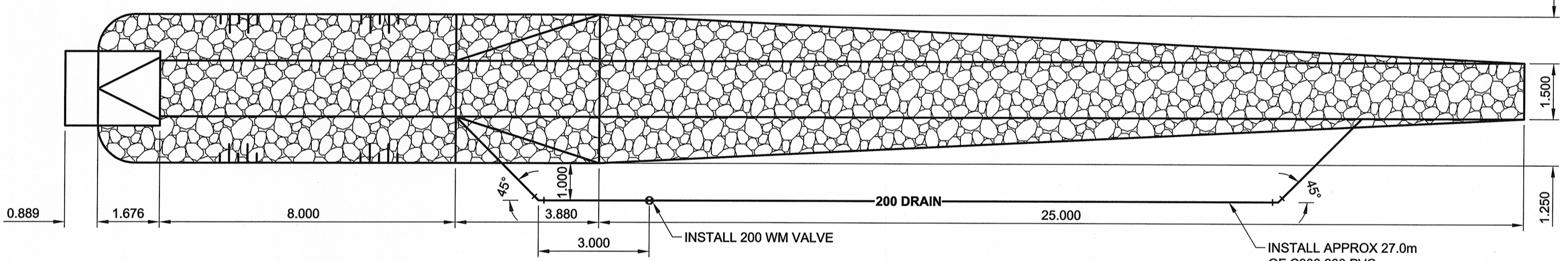
1650Ø CONCRETE CULVERT INLET STRUCTURE
PROFILE



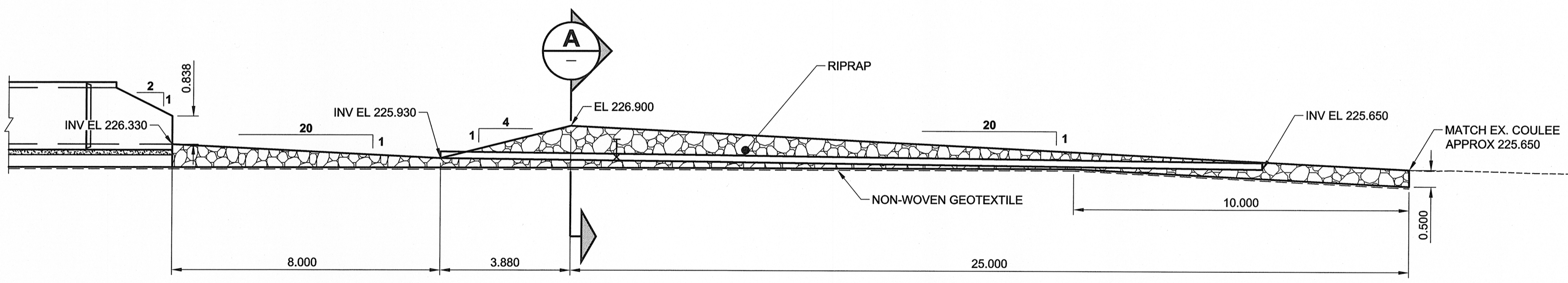
TYPICAL CROSS-SECTION
1000mm RANDOM RIPRAP



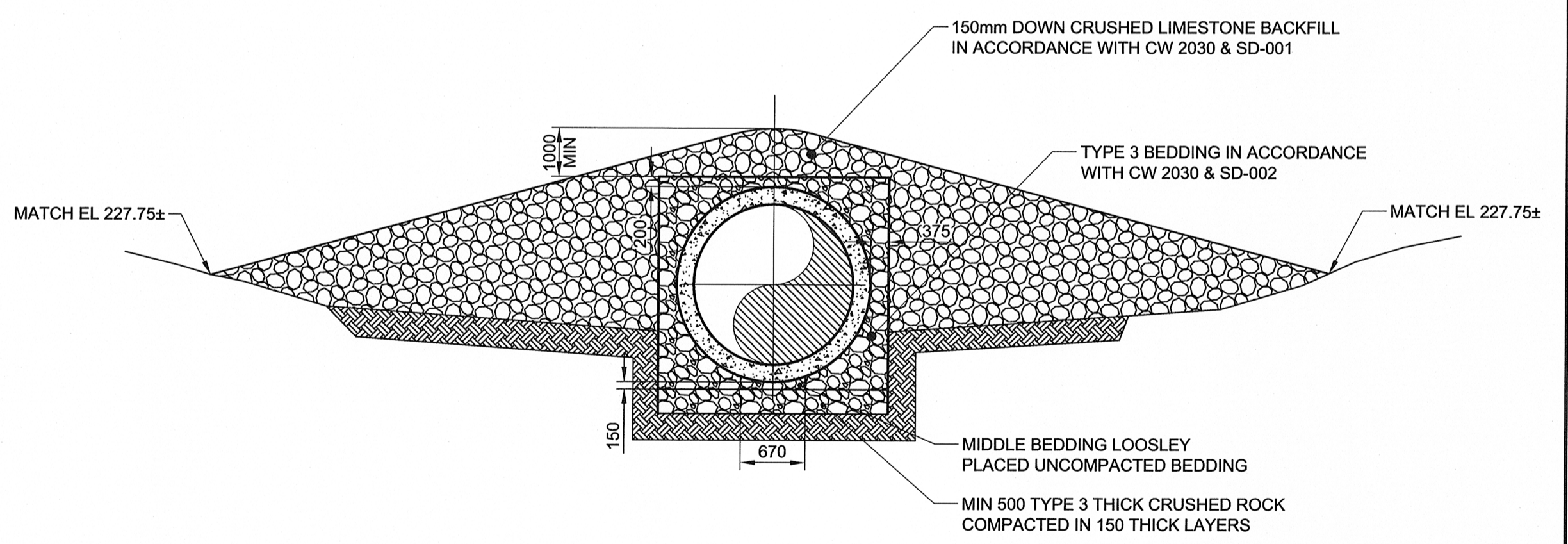
CLAY PLUG
STA 1+089.00 TO STA 1+093.00



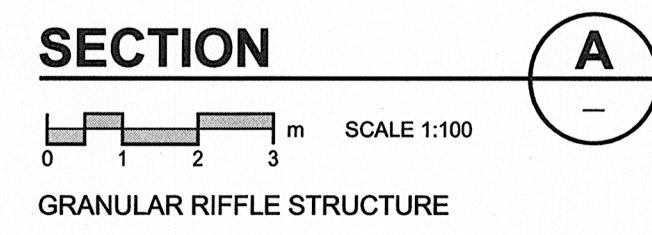
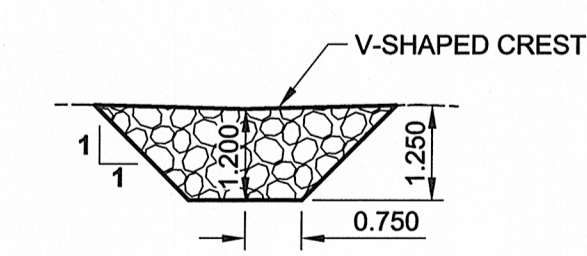
1650Ø CONCRETE CULVERT OUTLET STRUCTURE
PLAN



1650Ø CONCRETE CULVERT OUTLET STRUCTURE
PROFILE



TYPICAL TRENCH DETAIL
STA 1+054.44 TO STA 1+100



LOCATION APPROVED
UNDERGROUND STRUCTURES

SUPR. U/G STRUCTURES COMMITTEE DATE
NOTE:
LOCATION OF UNDERGROUND STRUCTURES AS SHOWN ARE BASED ON THE BEST INFORMATION AVAILABLE. BUT NO GUARANTEE IS GIVEN THAT ALL EXISTING UTILITIES ARE SHOWN OR THAT THE GIVEN LOCATIONS ARE EXACT. CONFIRMATION OF EXISTENCE AND EXACT LOCATION OF ALL SERVICES MUST BE OBTAINED FROM THE INDIVIDUAL UTILITIES BEFORE PROCEEDING WITH CONSTRUCTION.

AECOM
Certificate of Authorization
AECOM Canada Ltd.
No. 4671 Date: 11/11/30

NO.	REVISIONS	DATE	BY
0	ISSUED FOR CONSTRUCTION	11/11/30	KLC

DESIGNED BY	CHECKED BY
JAT	[Signature]
DRAWN BY	APPROVED BY
KLC	[Signature]
HOR. SCALE	VERT. SCALE
1:100	N/A
DATE	DATE

PROFESSIONAL'S SEAL
PROVINCE OF MANITOBA
Nov 30/2011
A. NAGY
REGISTERED PROFESSIONAL ENGINEER
CONSULTANT DRAWING NO.
60221826-01-C-102-R0X.dwg

BID OPPORTUNITY NO. 980-2011

THE CITY OF WINNIPEG
PUBLIC WORKS DEPARTMENT

INSTALLATION OF CONCRETE CULVERT AT PEMBINA HIGHWAY & BEAUJOLAIS COULEE

CIVIL
PLAN/ PROFILE OF INLET AND OUTLET STRUCTURES AND DETAILS

SHEET 2 OF 3
CITY DRAWING NUMBER
C311-12-03
REV 0