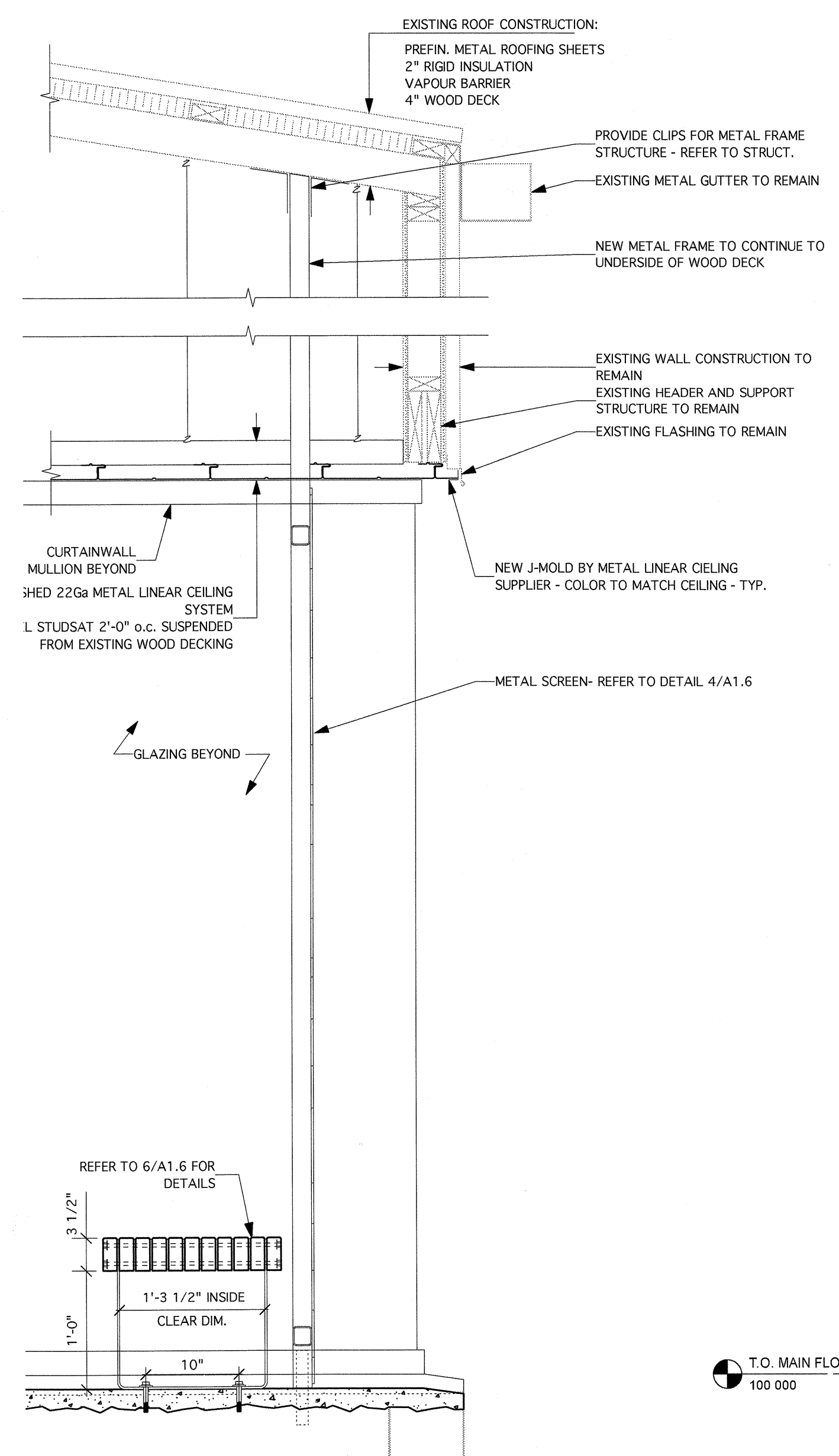
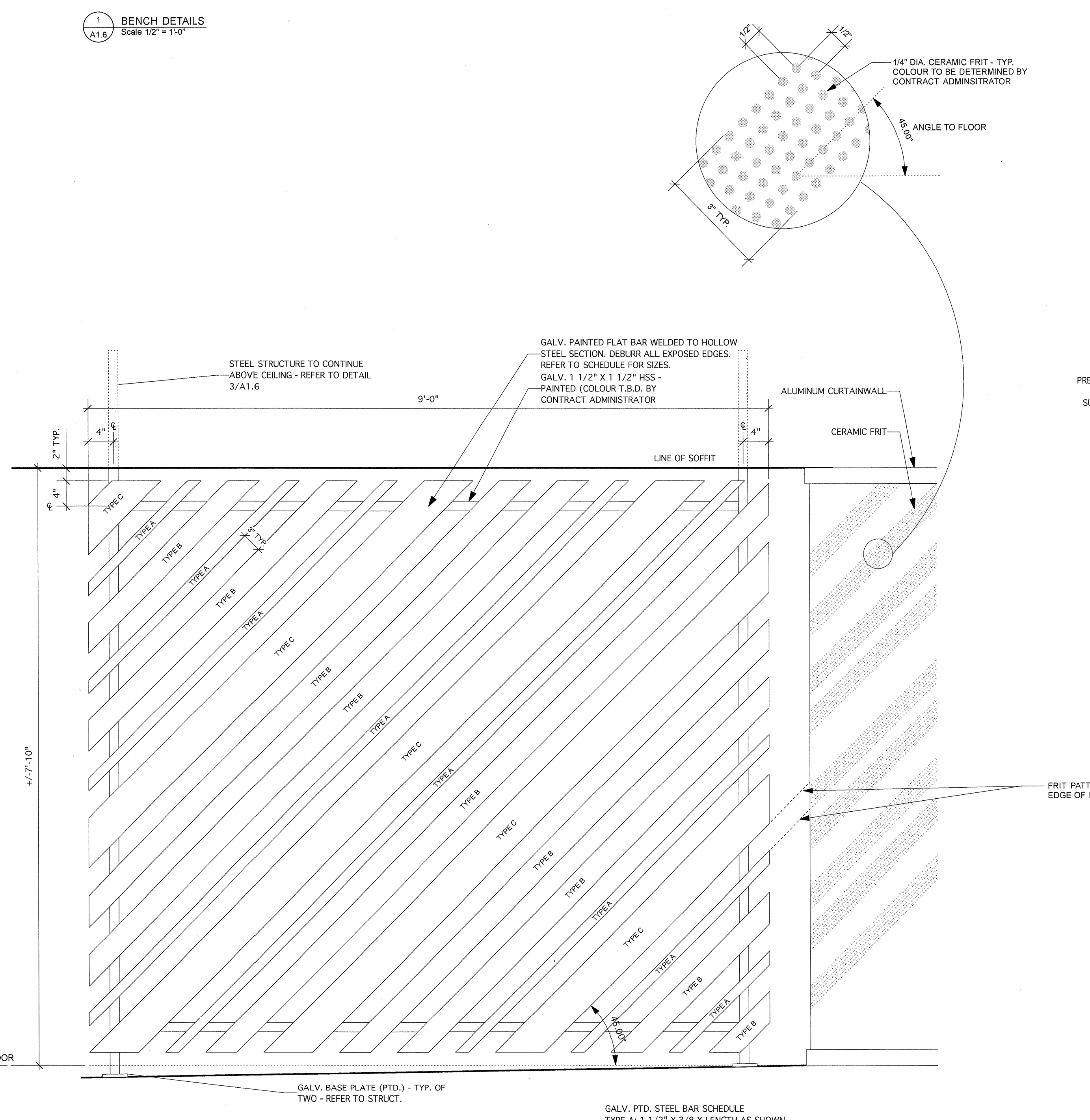


1 BENCH DETAILS  
Scale 1/2" = 1'-0"

2 BENCH SUPPORT BRACKET  
Scale 1/2" = 1'-0"

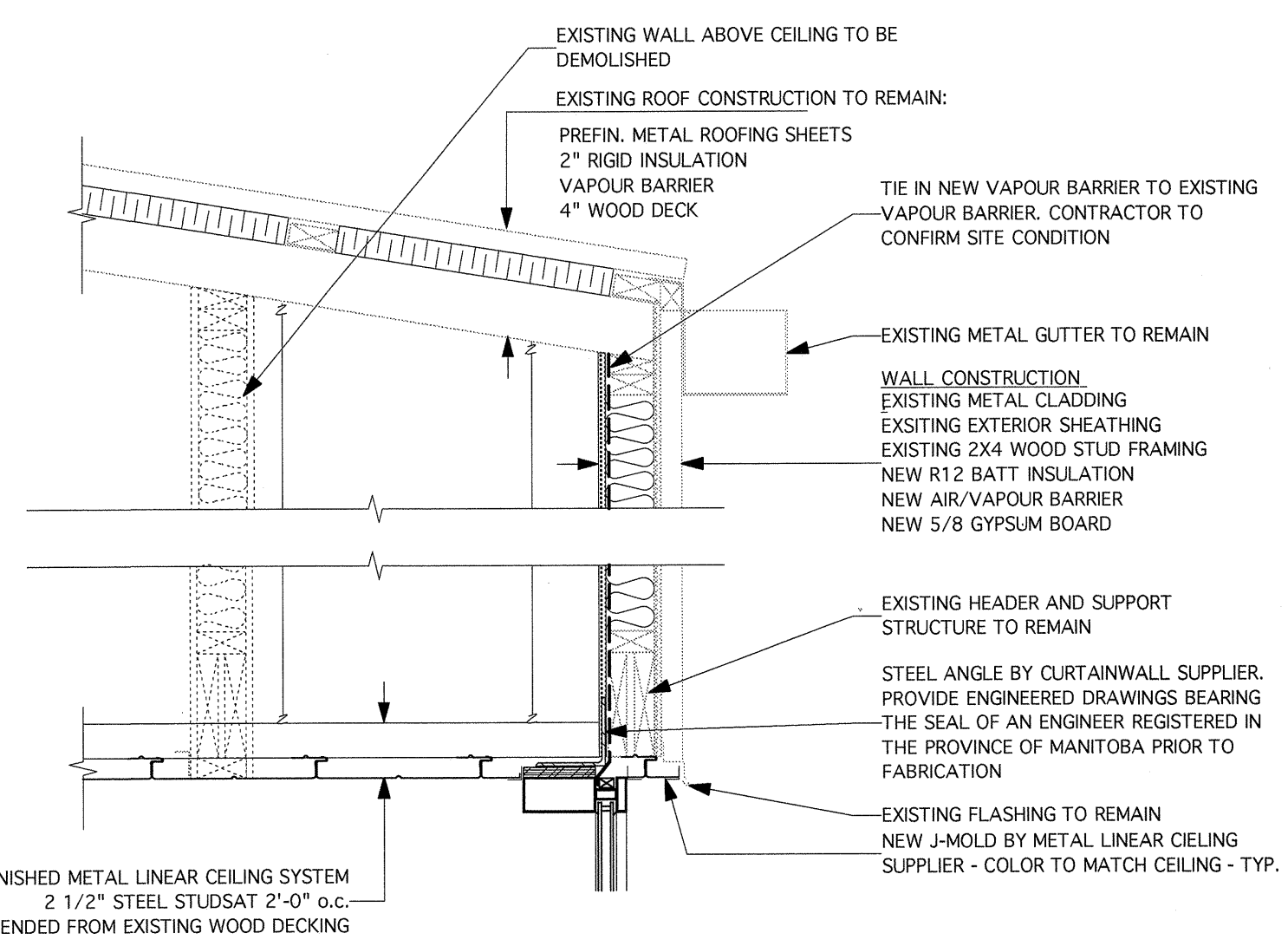


3 WALL SECTION  
Scale 1" = 1'-0"



4 METAL SCREEN ELEVATION  
Scale 1" = 1'-0"

5 METAL SCREEN PLAN  
Scale 1" = 1'-0"



6 WALL SECTION  
Scale 1" = 1'-0"

5	YY.MM.DD	-
4	YY.MM.DD	-
3	YY.MM.DD	-
2	YY.MM.DD	-
1	2012.03.15	ISSUED FOR CONSTRUCTION
No.	DATE	REVISION / ISSUANCE

ARCHITECT

architecture inc.  
411 Taylor Ave. East Winnipeg, Manitoba R2L 0K4 204.918.2010

Project: BID OPPORTUNITY 139 - 2012  
 Elmwood Kildonan Pool  
 Front Entrance Upgrades  
 909 Concordia Ave

**WALL SECTIONS AND DETAILS**