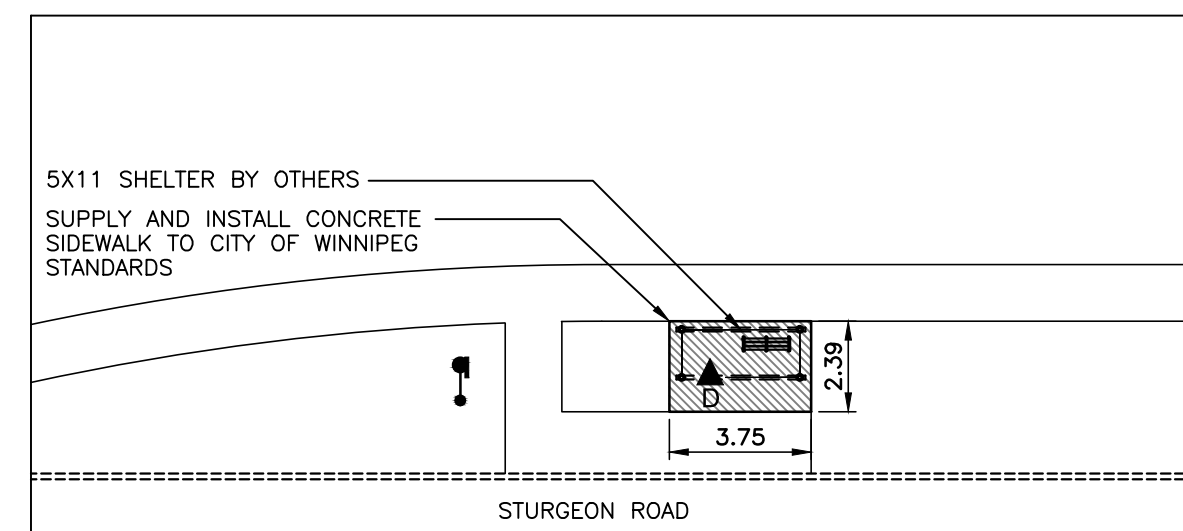
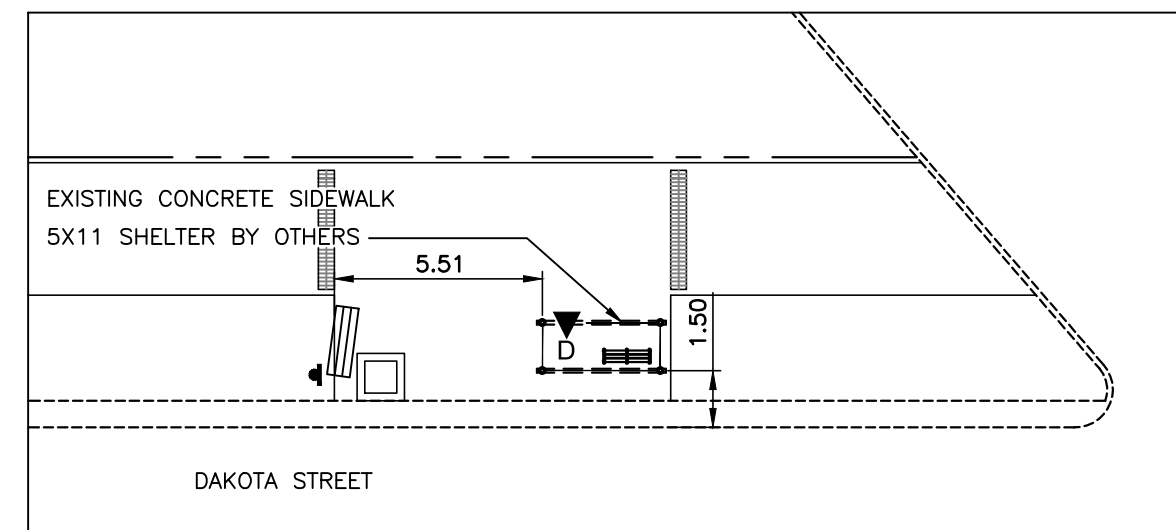


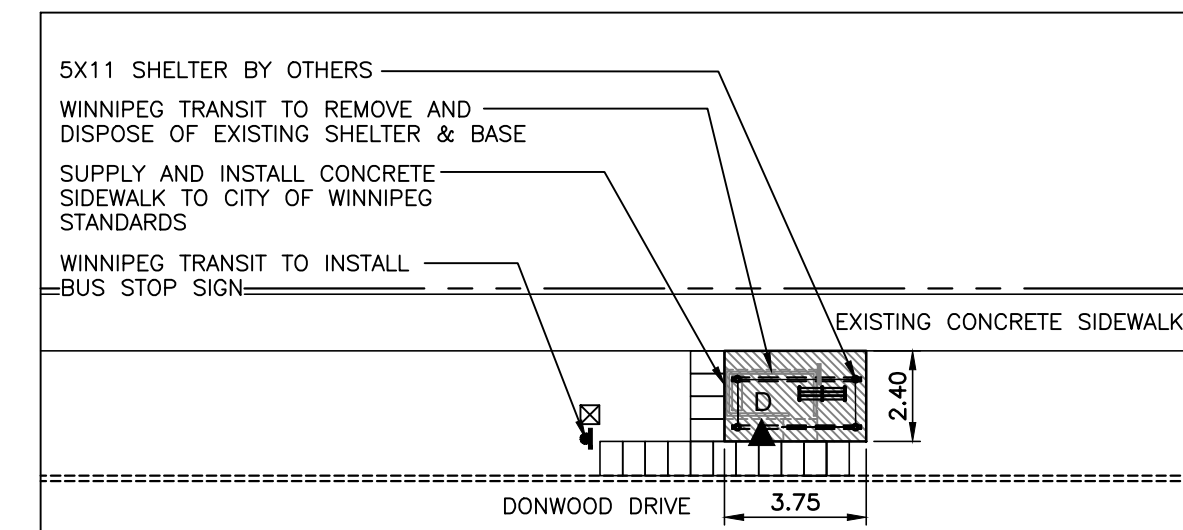
Westbound Concordia, F/S Molson  
Stop 40235 Concordia Hospital



Southbound Sturgeon, N/S Portage  
Stop 20296 Portage North



Southbound Dakota, F/S Leston  
Stop 50504 Leston

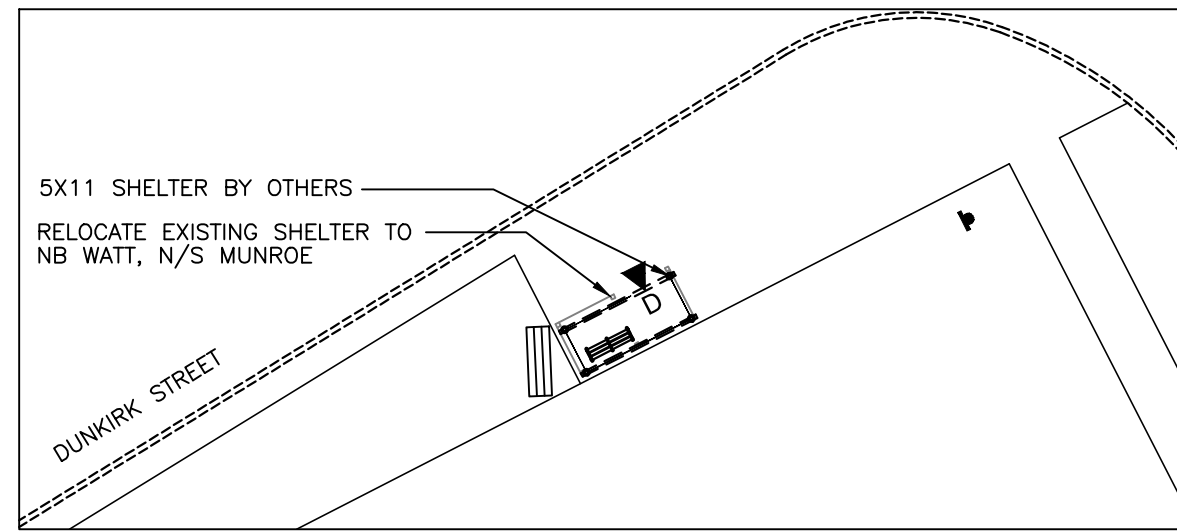


Westbound Donwood, F/S Pinecrest  
Stop 40583 Pinecrest

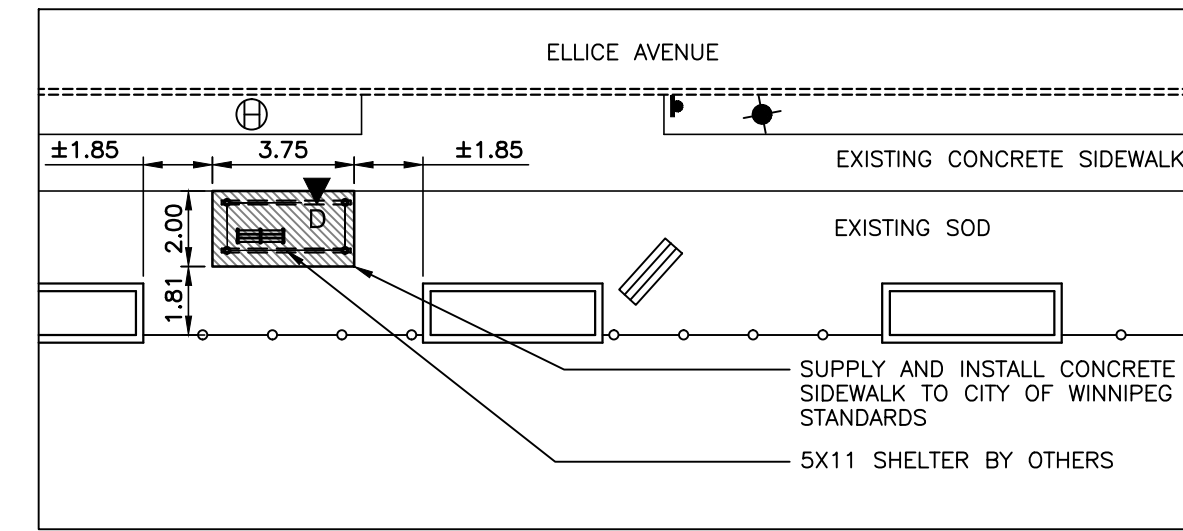


**LEGEND**

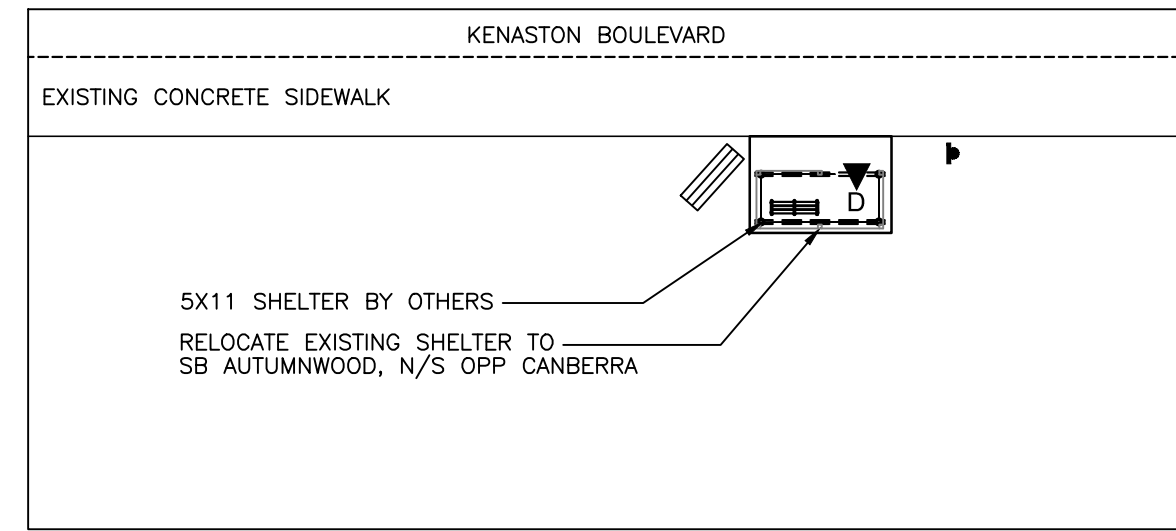
- EXISTING**
- PROPERTY LINE
  - EXISTING CURB
  - EXISTING COBRA LIGHT POLE
  - EXISTING HYDRANT
  - MTS PHONE BOOTH
  - WASTE RECEPTACLE
  - EXISTING TREE TO REMAIN
  - EXISTING SIDEWALK TO BE REMOVED
  - EXISTING SIGN TO BE REMOVED
  - EXISTING TRAFFIC SIGNAL
  - EXISTING MAN HOLE
- PROPOSED**
- HOLLAND PAVERS
  - ▬ PINNED CONCRETE CURB / CURB RENEWAL
  - ▨ PROPOSED CONCRETE SIDEWALK
  - ▤ SOD
  - RELOCATED 5X11 DAYTECH
  - CBS 5X11 SHELTER
  - 5X11 DAYTECH SHELTER TO BE RELOCATED
  - ALUMINUM SHELTER TO BE REMOVED
  - ▲ DOOR LOCATION



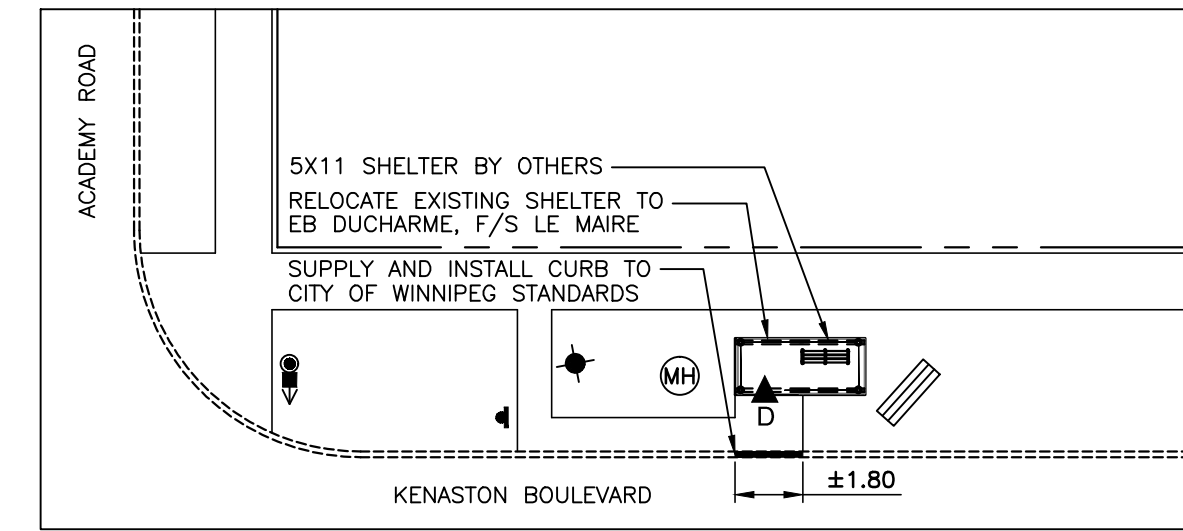
Northbound Dunkirk, N/S Parkville  
Stop 50480 Parkville



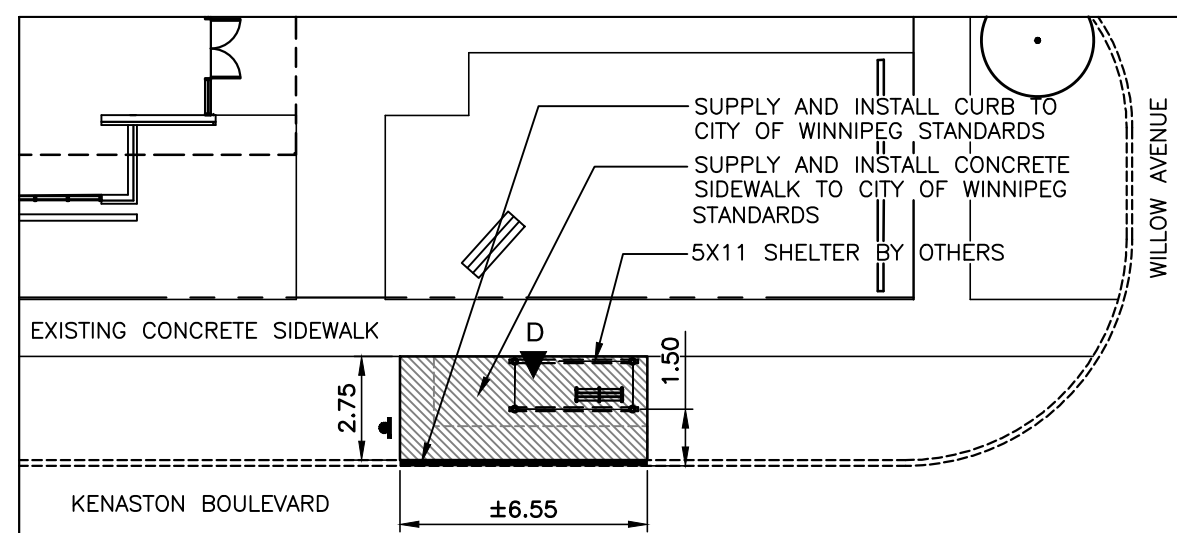
Eastbound Ellice, N/S Strathcona  
Stop 10498 Strathcona West



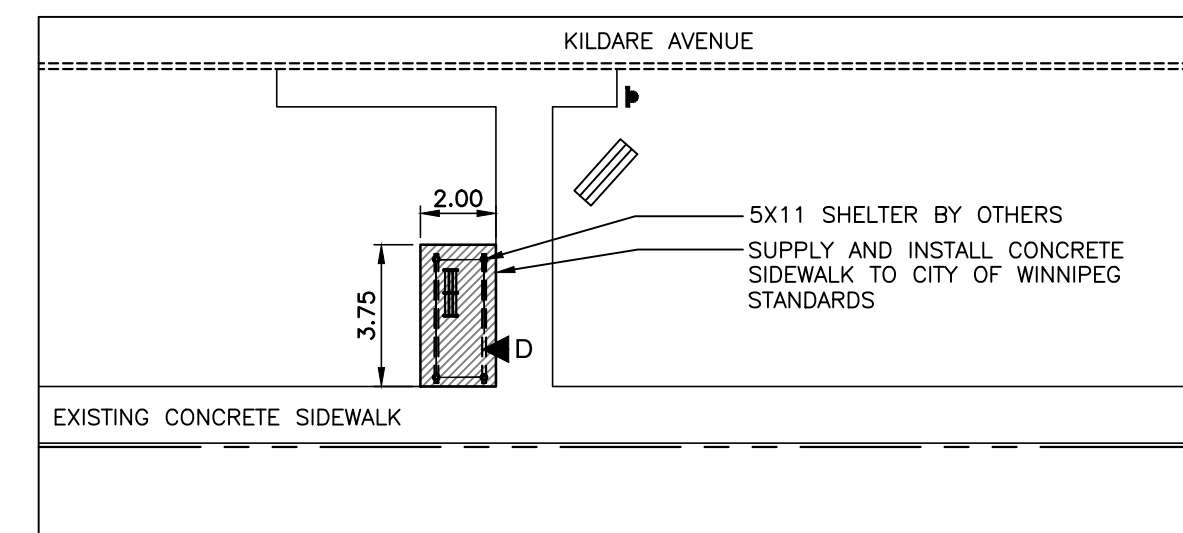
Northbound Kenaston, F/S Academy  
Stop 60449 Academy



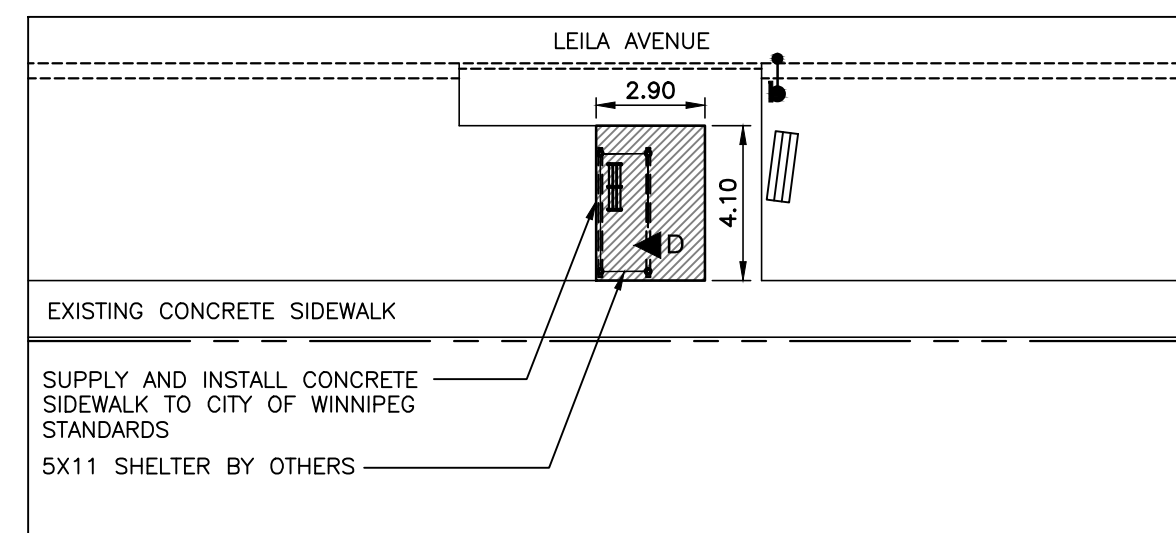
Southbound Kenaston, N/S Academy  
Stop 60450 Academy



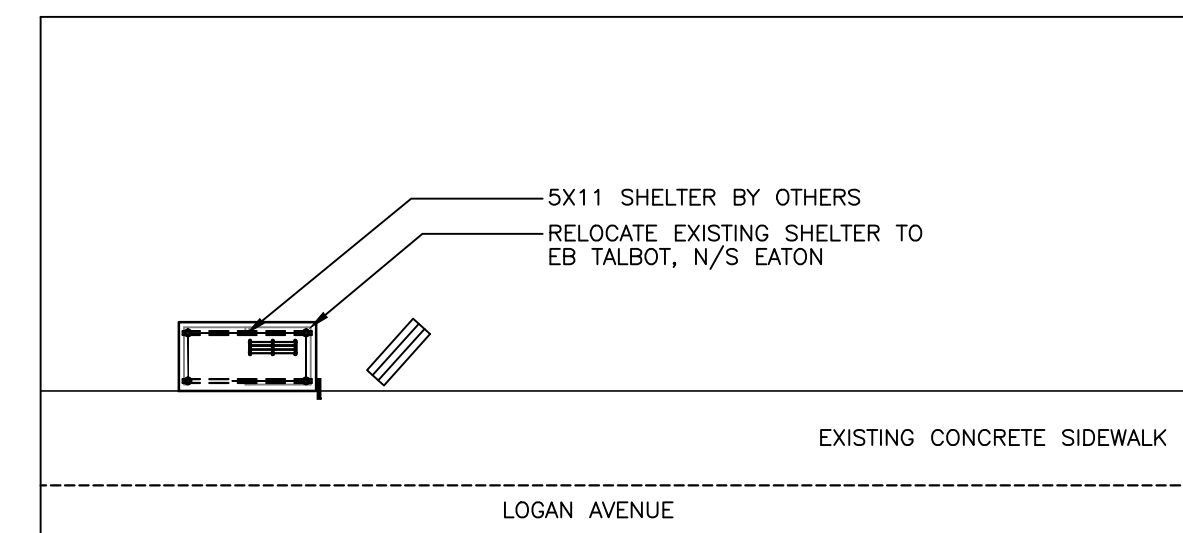
Southbound Kenaston, F/S Willow  
Stop 60444 Willow



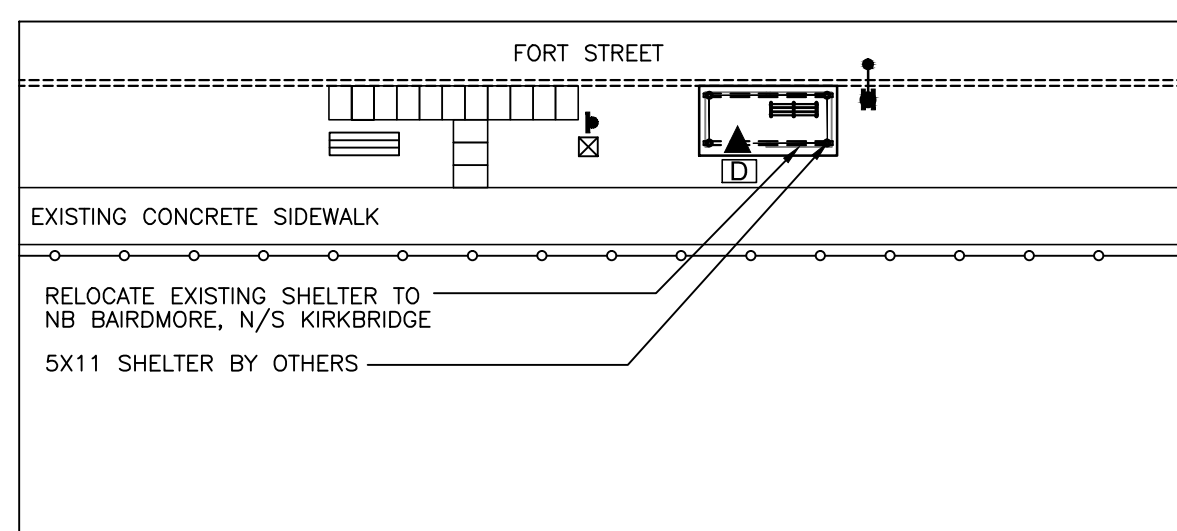
Eastbound Kildare, N/S Opp McMeans  
Stop 40720 McMeans



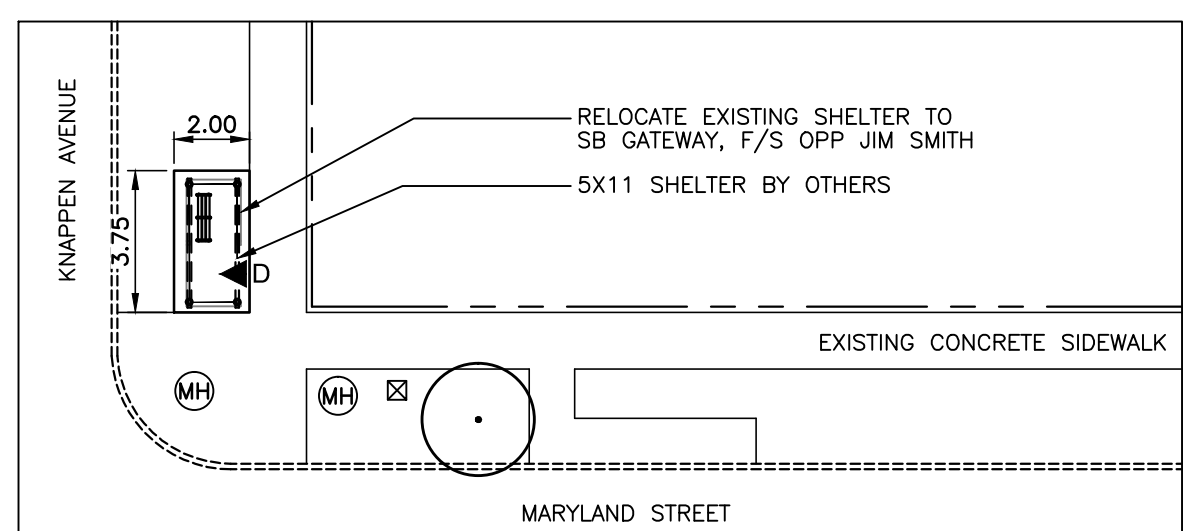
Eastbound Leila, N/S Diplomat  
Stop 30384 Diplomat



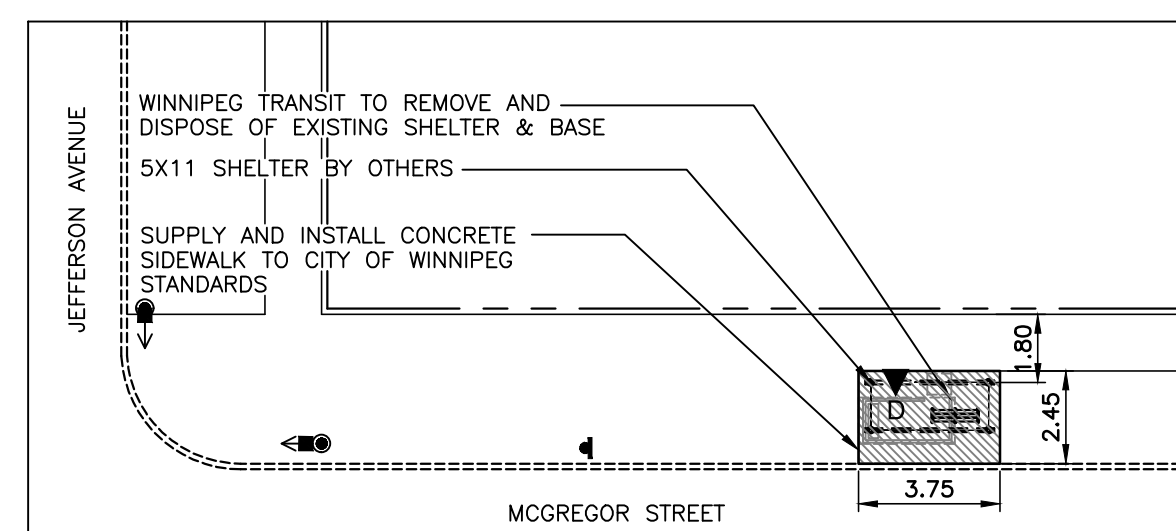
Westbound Logan, F/S Isabel  
Stop 10342 Isabel



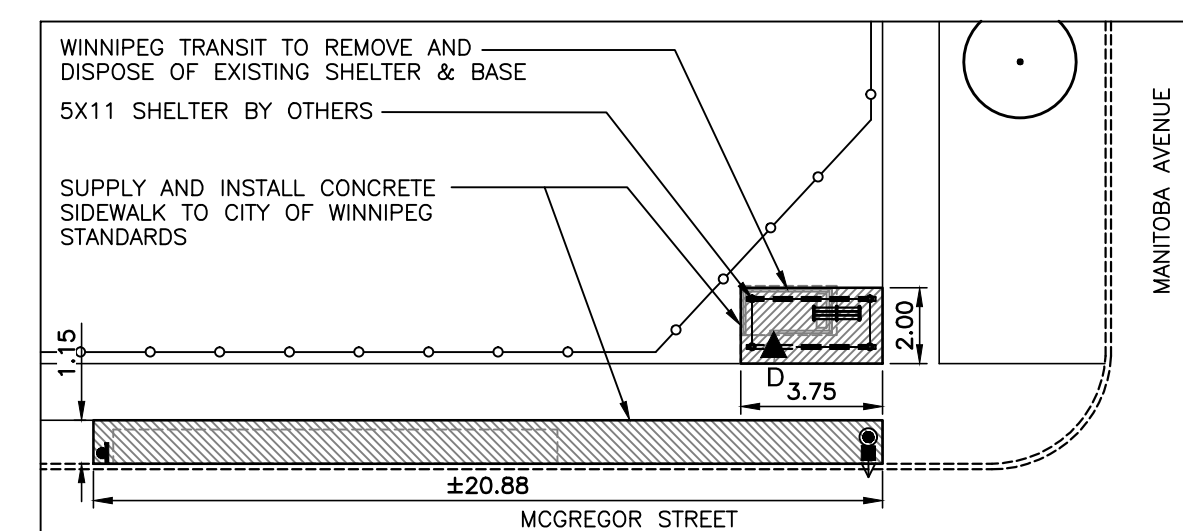
Northbound Fort, F/S Assiniboine  
Stop 10830 Assiniboine



Southbound Maryland, F/S Broadway  
Stop 10196 Broadway



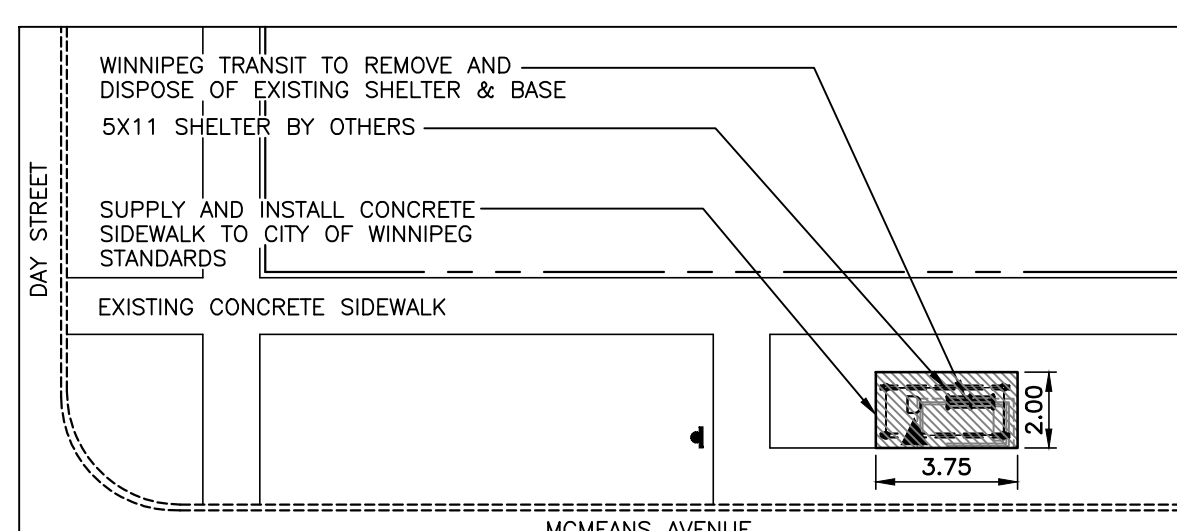
Southbound McGregor, N/S Jefferson  
Stop 30220 Jefferson



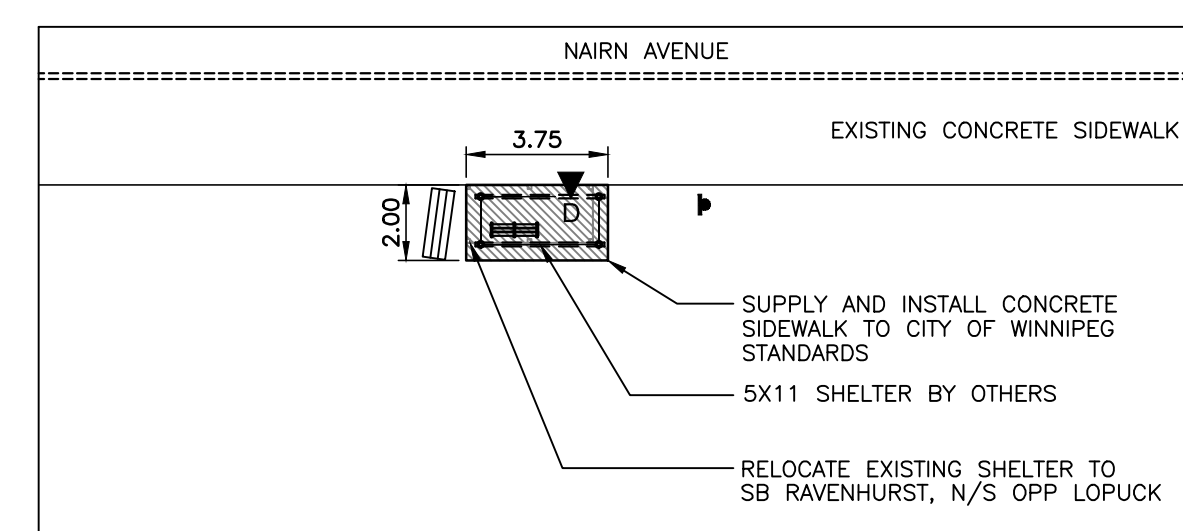
Southbound McGregor, F/S Manitoba  
Stop 30257 Manitoba



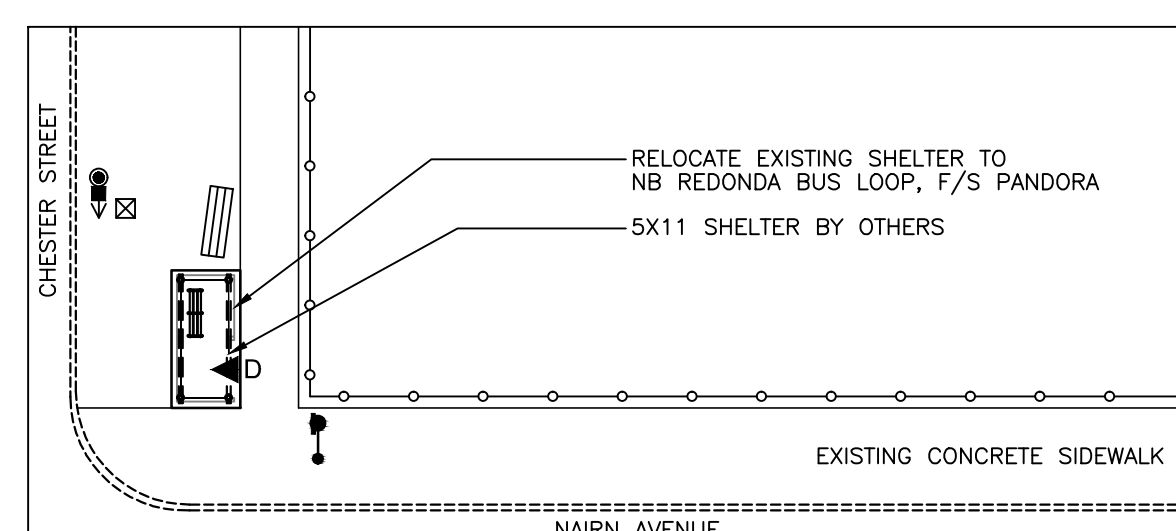
1	ADDENDUM 1	23-03-12	JW
No.	Revisions	Date	By
Date	Scale		
12-20-11	1:200		
Designed By	Drawn By	Checked By	
MD	MD	JW	



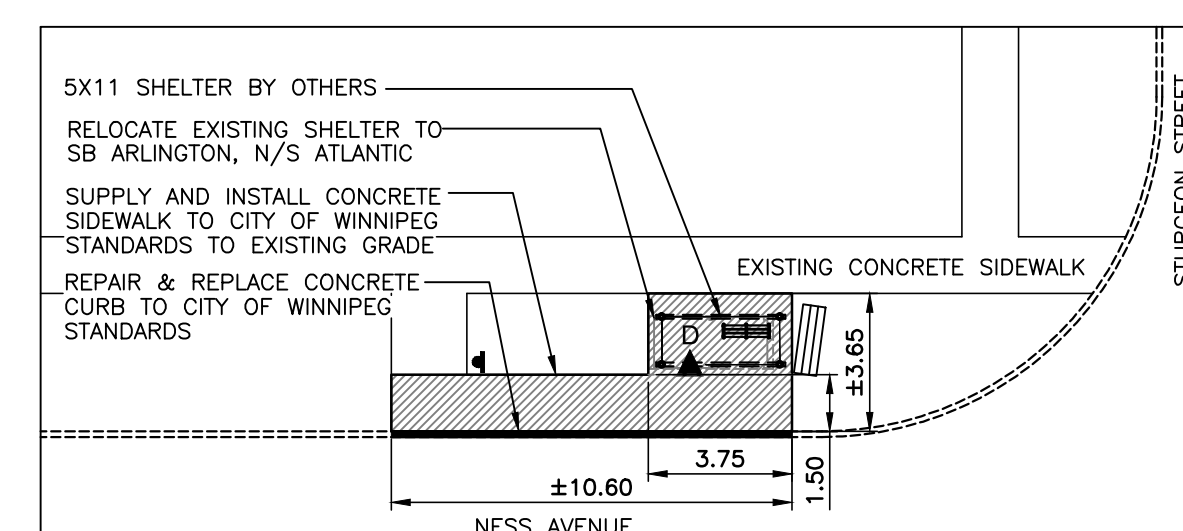
Westbound McMeans, N/S Day  
Stop 40050 Day



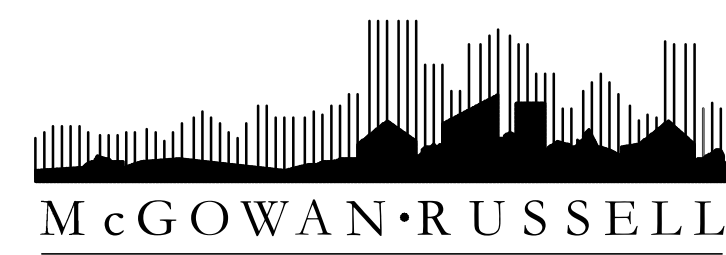
Eastbound Nairn, F/S Grey  
Stop 40337 Grey



Westbound Nairn, N/S Chester  
Stop 40314 Chester



Westbound Ness, F/S Sturgeon  
Stop 20160 Sturgeon



**WINNIPEG TRANSIT**  
Project Title  
**BUS STOP IMPROVEMENTS 2012**

Sheet Title  
**SITE WORKS LAYOUT PLANS**  
Project No. 06-029 Drawing No. L1.1