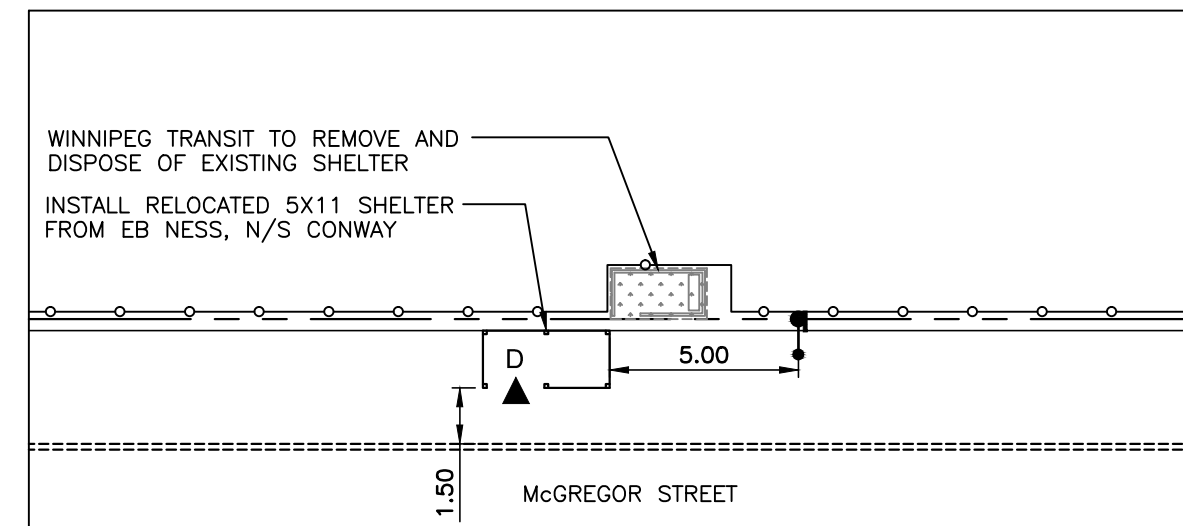
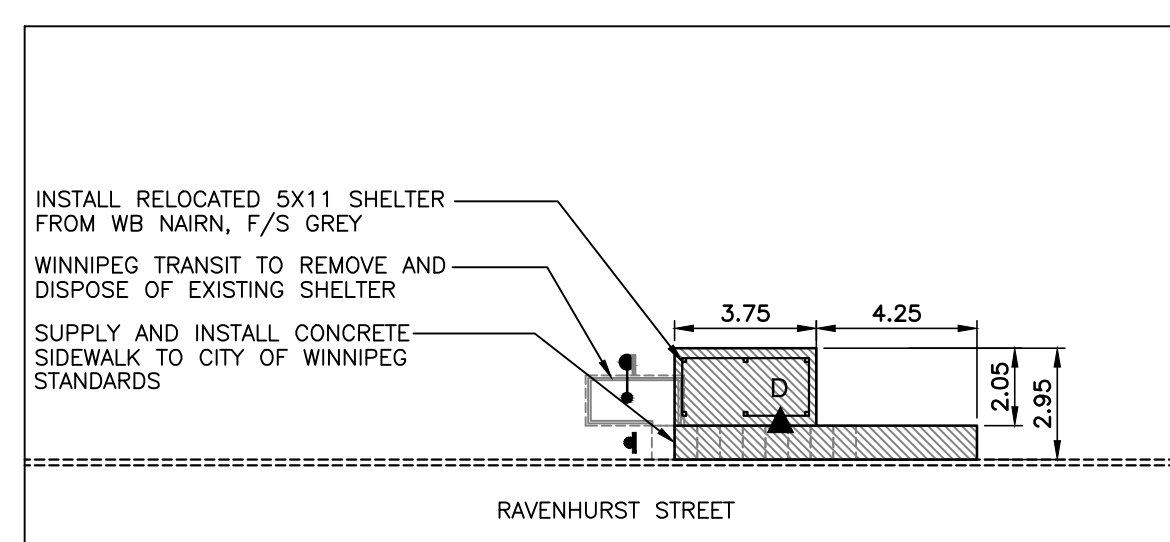


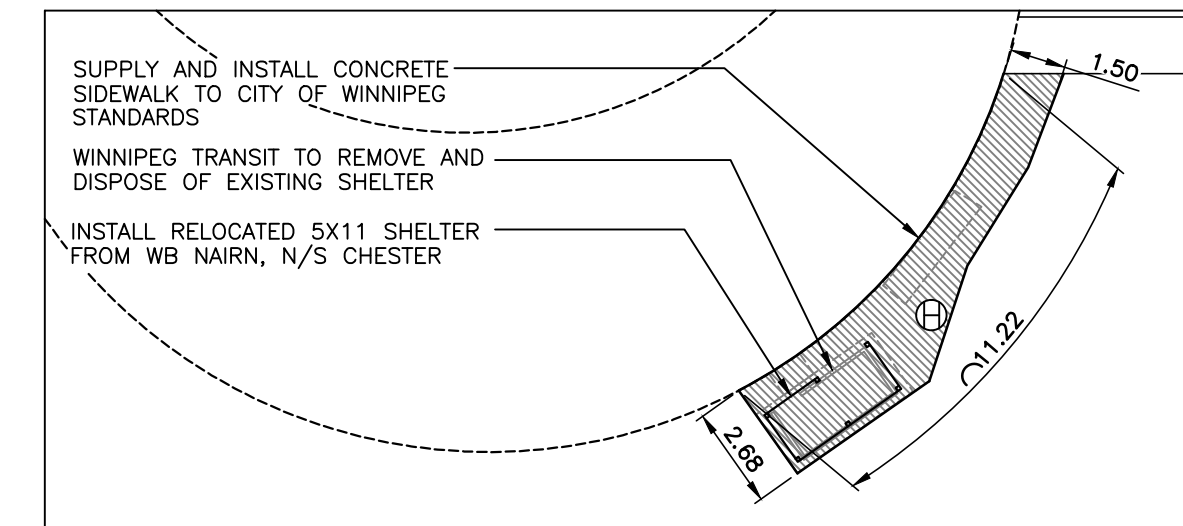
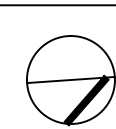
Southbound Grey, F/S Hoskin
Stop 40346 Hoskin



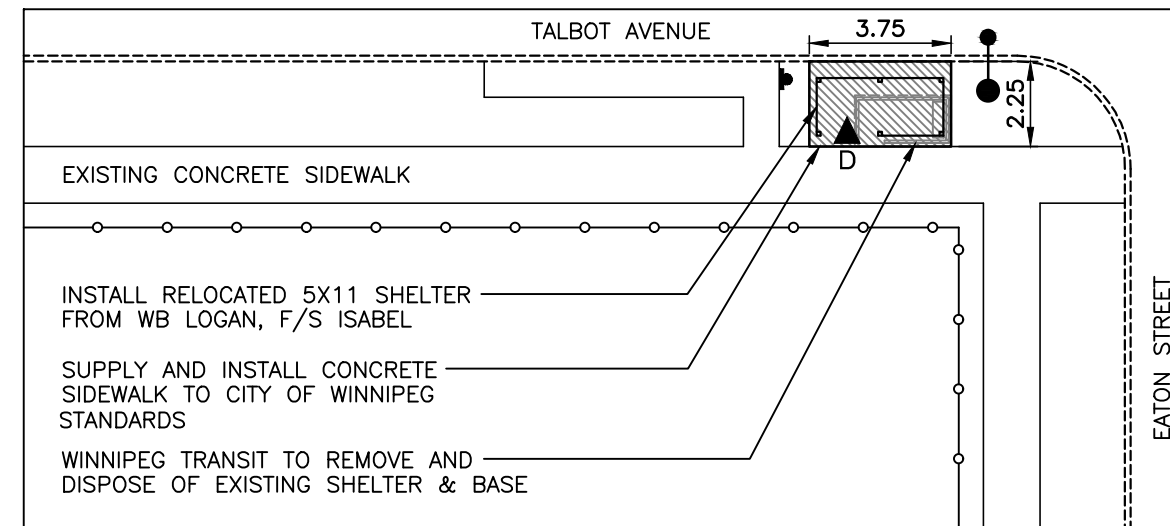
Southbound McGregor, N/S Stella
Stop 30264 Stella



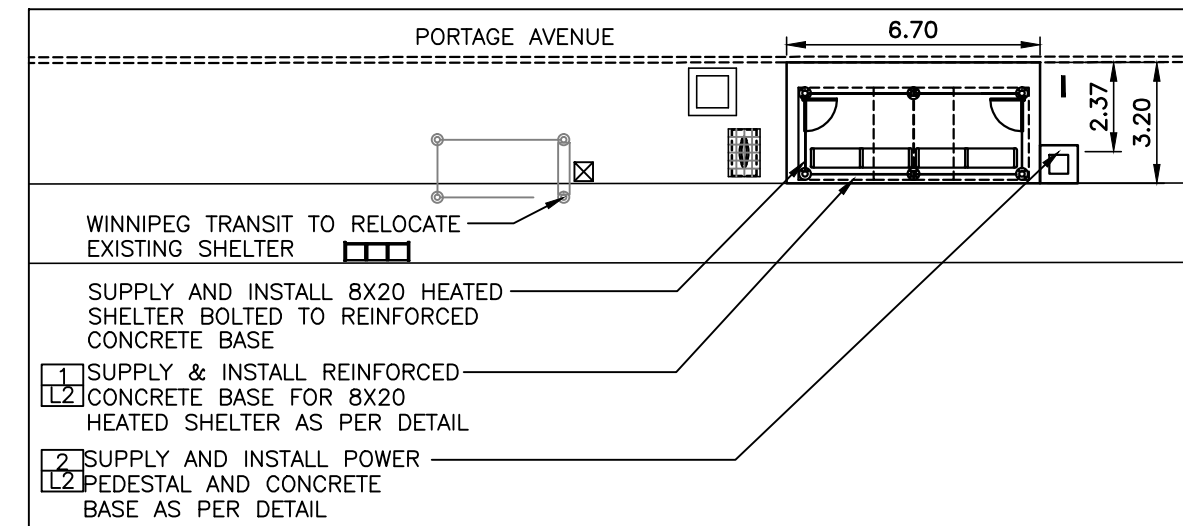
Southbound Ravenhurst, N/S Opp Lopuck
Stop 40843 Lopuck



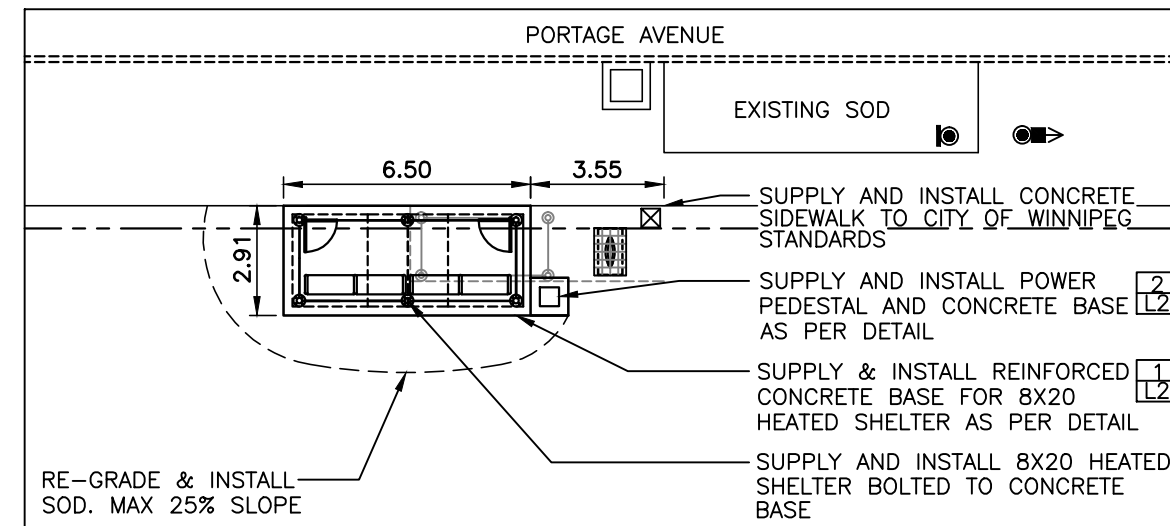
Northbound Redonda Bus Loop, F/S Pandora
Stop 40717 Redonda Loop



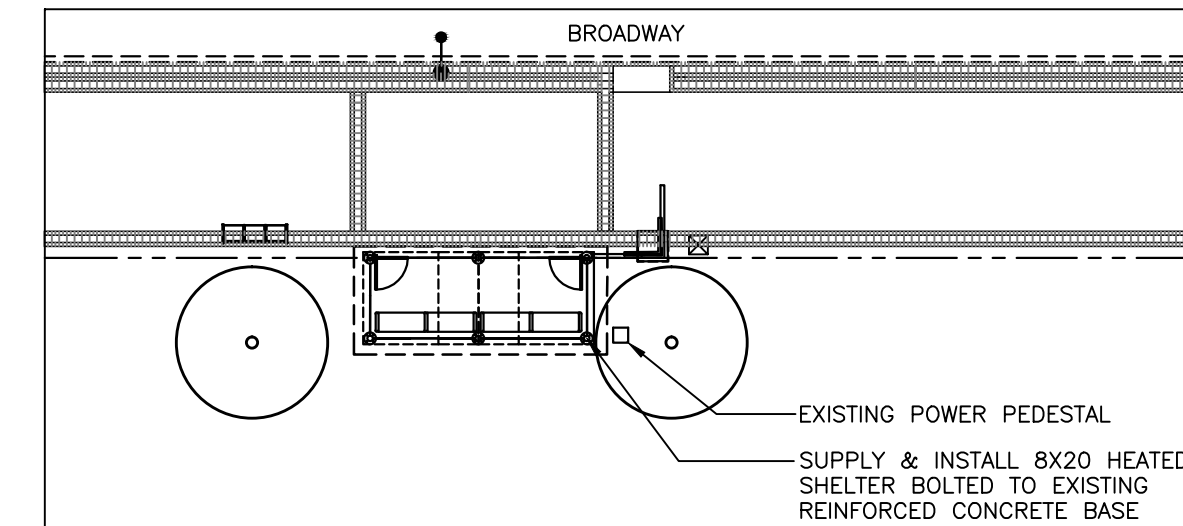
Eastbound Talbot, N/S Eaton
Stop 40341 Eaton



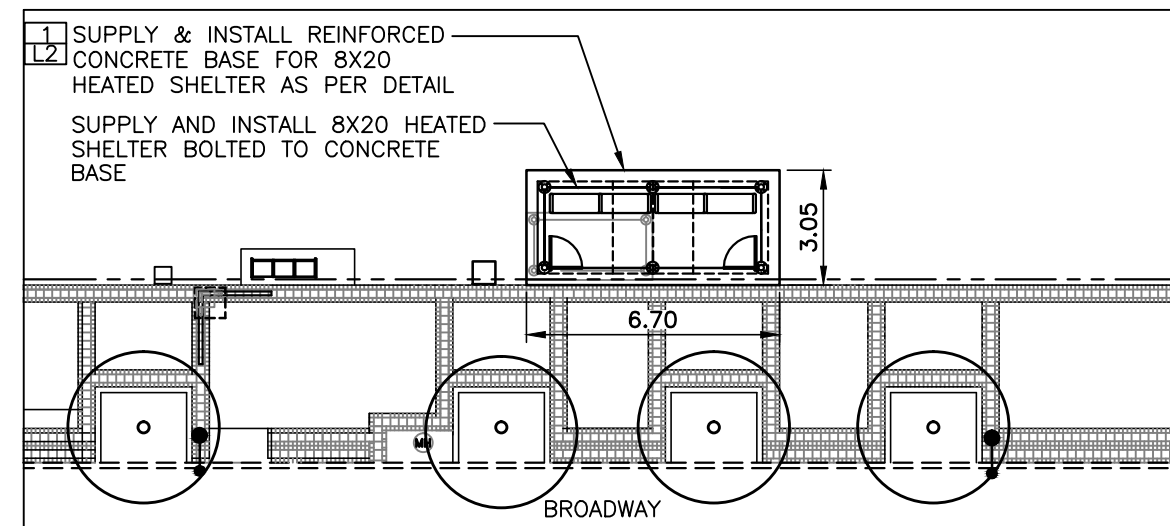
Westbound Portage, F/S Sherbrook
Stop 10577 Sherbrook



Eastbound Portage, N/S Woodhaven
Stop 20264 Woodhaven



Eastbound Broadway, F/S Osborne
Stop 10585 Osborne East



Westbound Broadway, N/S Osborne
Stop 10870 Osborne East



LEGEND

EXISTING

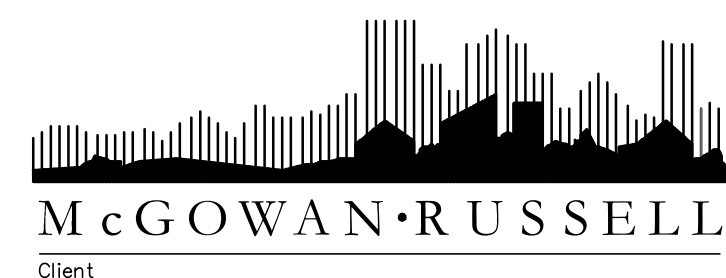
- PROPERTY LINE
- EXISTING CURB
- EXISTING COBRA LIGHT POLE
- EXISTING HYDRANT
- ☐ MTS PHONE BOOTH
- ☐ WASTE RECEPTACLE
- EXISTING TREE TO REMAIN
- EXISTING SIDEWALK TO BE REMOVED
- ⚡ EXISTING SIGN TO BE REMOVED
- ⚡ EXISTING TRAFFIC SIGNAL
- Ⓜ EXISTING MAN HOLE

PROPOSED

- ☐ HOLLAND PAVERS
- ▬ PINNED CONCRETE CURB / CURB RENEWAL
- ▨ PROPOSED CONCRETE SIDEWALK
- ☐ SOD
- ☐ RELOCATED 5X11 DAYTECH
- ☐ CBS 5X11 SHELTER
- ☐ 5X11 DAYTECH SHELTER TO BE RELOCATED
- ☐ ALUMINUM SHELTER TO BE REMOVED
- ▲ DOOR LOCATION

No.	Revisions	Date	By
12-20-11	1:200		
MD	MD	JW	

Seals



WINNIPEG TRANSIT
Project Title
BUS STOP IMPROVEMENTS 2012

Sheet Title
SITE WORKS LAYOUT PLANS

Project No. 06-029 Drawing No. L1.3