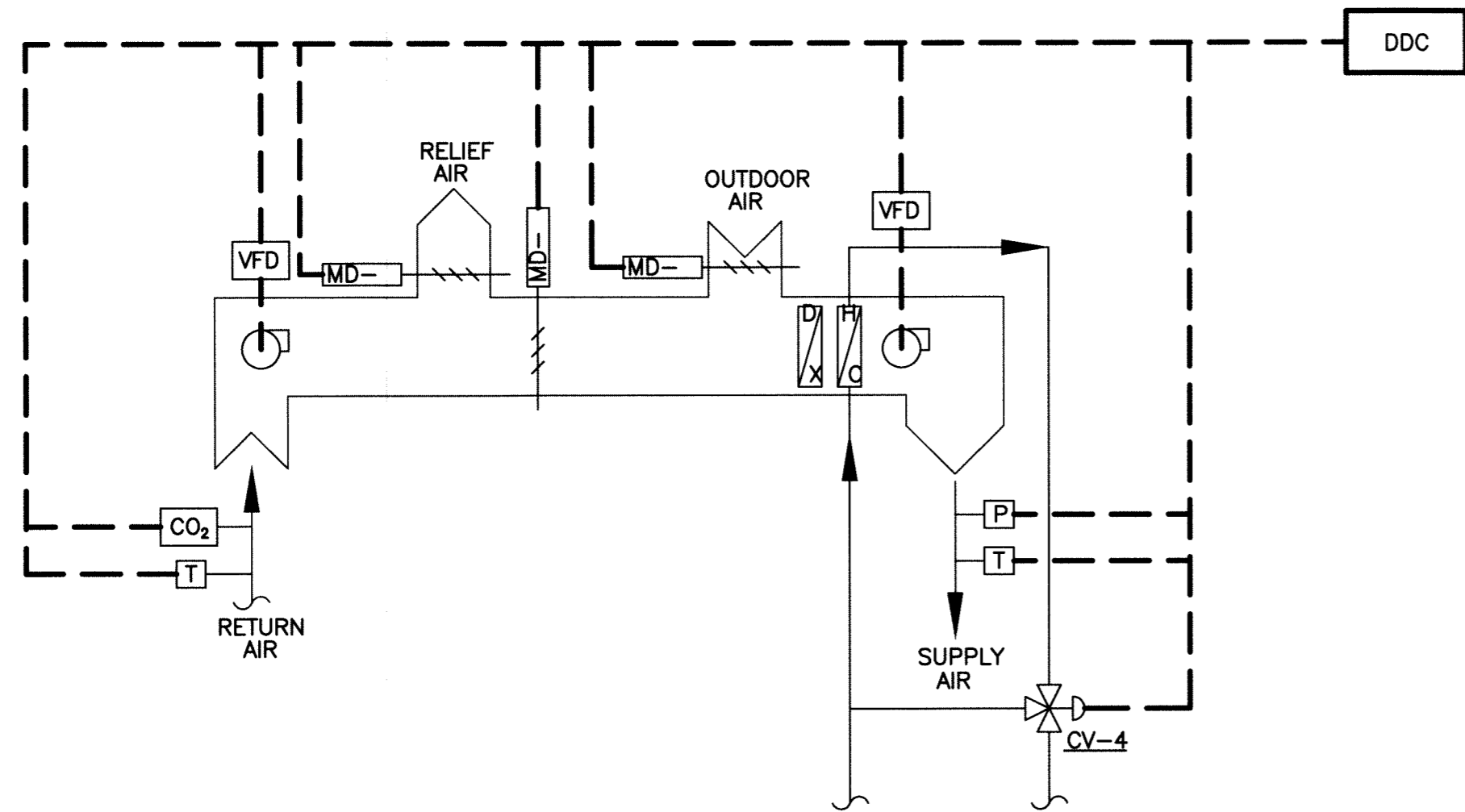
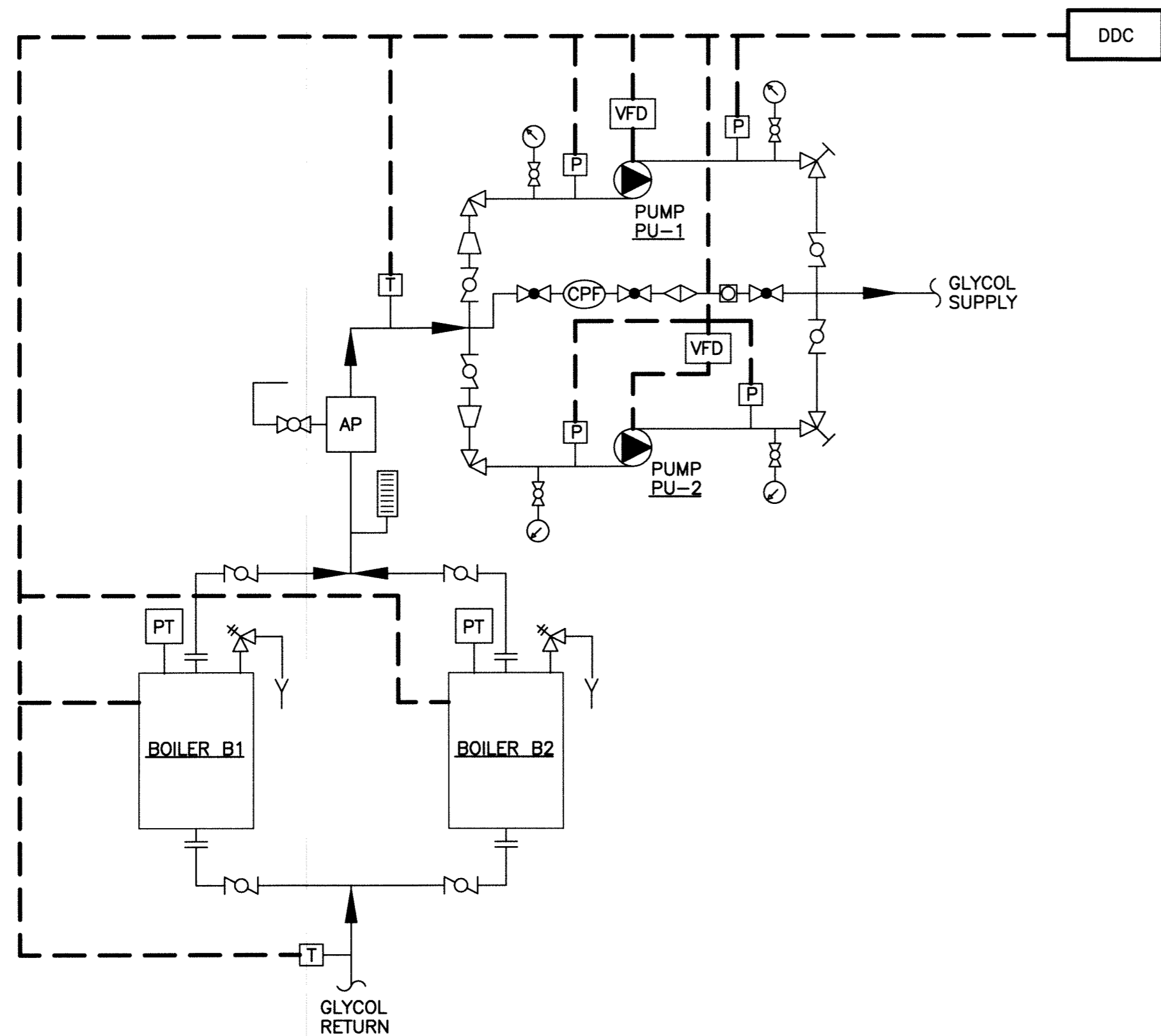


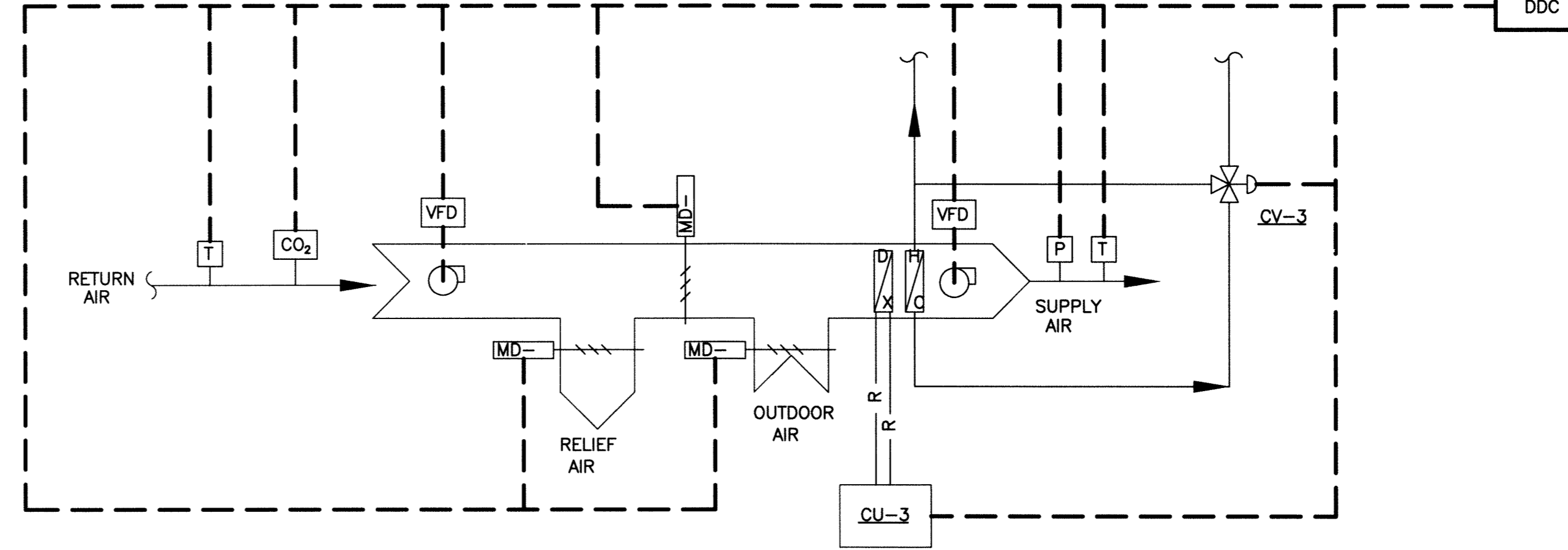
1 UNIT HEATERS (TYP.)
SCALE: N.T.S.



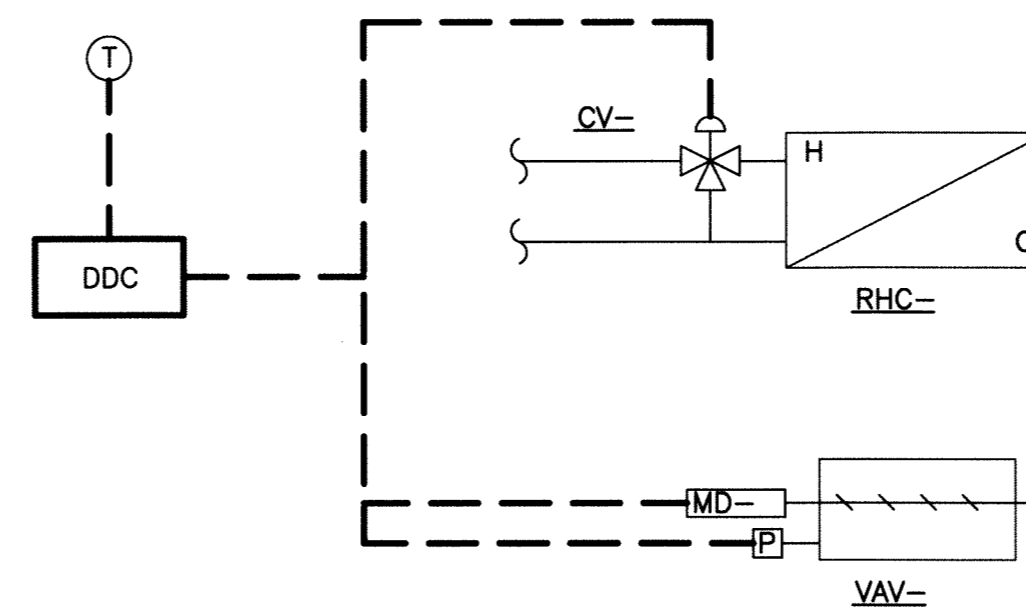
3 AIR HANDLING UNIT AHU-4
SCALE: N.T.S.



4 BOILER AND PUMPS
SCALE: N.T.S.



2 AIR HANDLING UNIT AHU-3
SCALE: N.T.S.



5 VAV AND REHEAT COILS (TYP.)
SCALE: N.T.S.

- LEGEND:**
- TEMPERATURE SENSOR
 - MOTORIZED DAMPER
 - PRESSURE TEMPERATURE INDICATOR
 - AIR PURGER C/W AIR VENT
 - DIRECT DIGITAL CONTROL
 - 3-WAY MIXING VALVE (SIZE AS PER CONTROLS CONTRACTOR)
 - BUTTERFLY VALVE
 - REDUCER
 - DRAIN
 - TRIPLE DUTY VALVE c/w CHECK VALVE
 - SUCTION DIFFUSER C/W STRAINER
 - PRESSURE RELIEF VALVE SIZED TO DEPARTMENT OF LABOUR REQUIREMENTS
 - FLOW INDICATOR
 - CHEMICAL POT FEEDER
 - THERMOSTAT
 - PRESSURE GAUGE c/w BALL VALVE
 - THERMOMETER
 - FILTER
 - REFRIGERANT PIPING
 - CONTROL WIRING
 - RHC- REHEAT COIL
 - VAV- VARIABLE VOLUME BOX
 - HC HEATING COIL
 - CU- CONDENSING UNIT
 - CUH- CABINET UNIT HEATER
 - P- PRESSURE SENSOR
 - CO2- CARBON DIOXIDE DETECTOR

KGS FILE NO.: P:\PROJECTS\2011\11-0107-02\DWG\MECH\11-0107-02_M10.dwg



B.M. ELEV.	
DESIGNED BY	PSS
DRAWN BY	VJH
HOR. SCALE:	AS SHOWN
VERTICAL:	.
ISSUED FOR TENDER	12/03/27
NO. REVISIONS	DATE BY DATE

KGS GROUP
CONSULTING ENGINEERS & PROJECT MANAGERS
WINNIPEG (204) 896-1209
THUNDER BAY (807) 345-2233

CHECKED BY	<i>[Signature]</i>
APPROVED BY	<i>[Signature]</i>
RELEASED FOR CONSTRUCTION:	

ENGINEER'S SEAL
P.S. SILVA
Member 21131
REGISTERED PROFESSIONAL ENGINEER

THE CITY OF WINNIPEG
PUBLIC WORKS DEPARTMENT

PROJECT TITLE: FORT ROUGE LEISURE CENTRE HVAC UPGRADE - PHASE 2

SHEET OF: 001 OF 001

COMPUTER FILE NAME: 11-0107-02-P2-M10

CITY DRAWING NUMBER

CONSULTANT DRAWING NO. P2-M10

CONTROLS SCHEMATIC