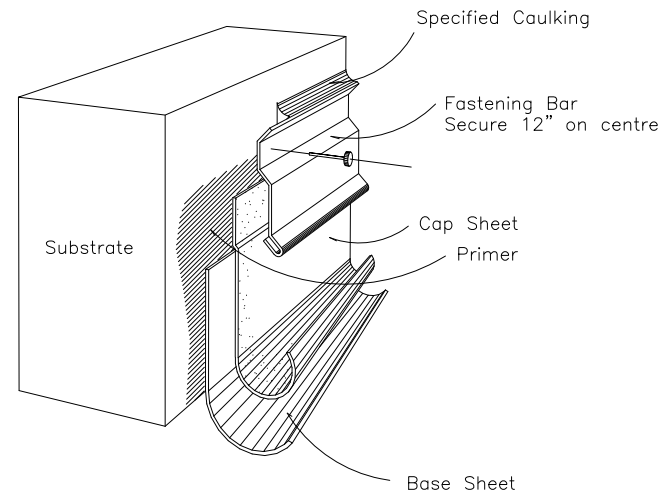
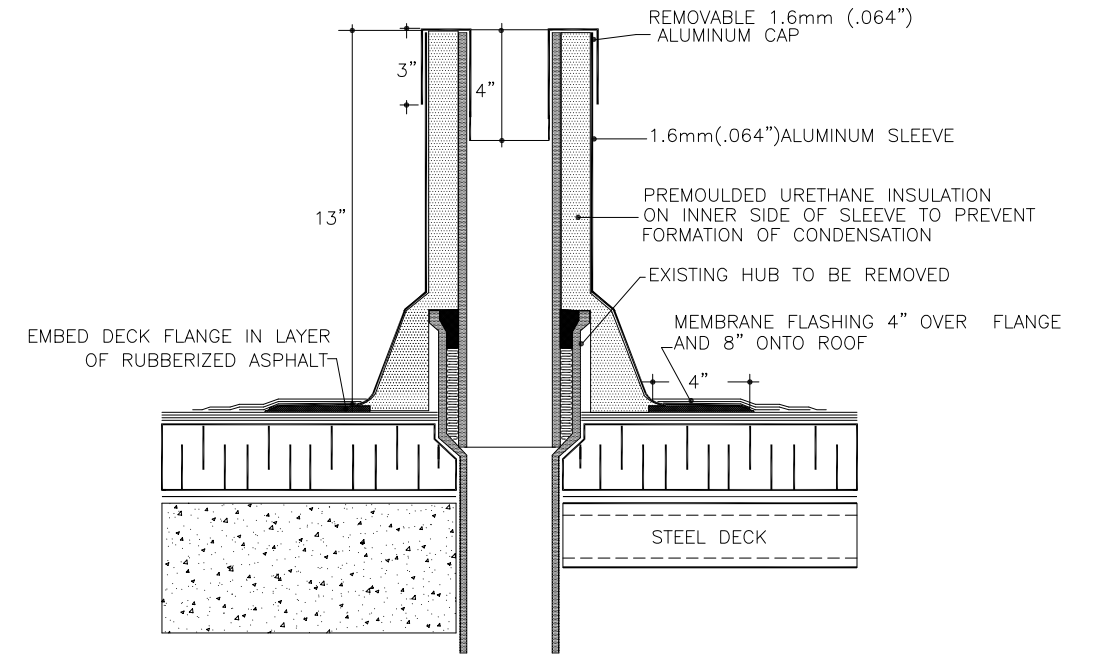


# Typical Fastening Bar

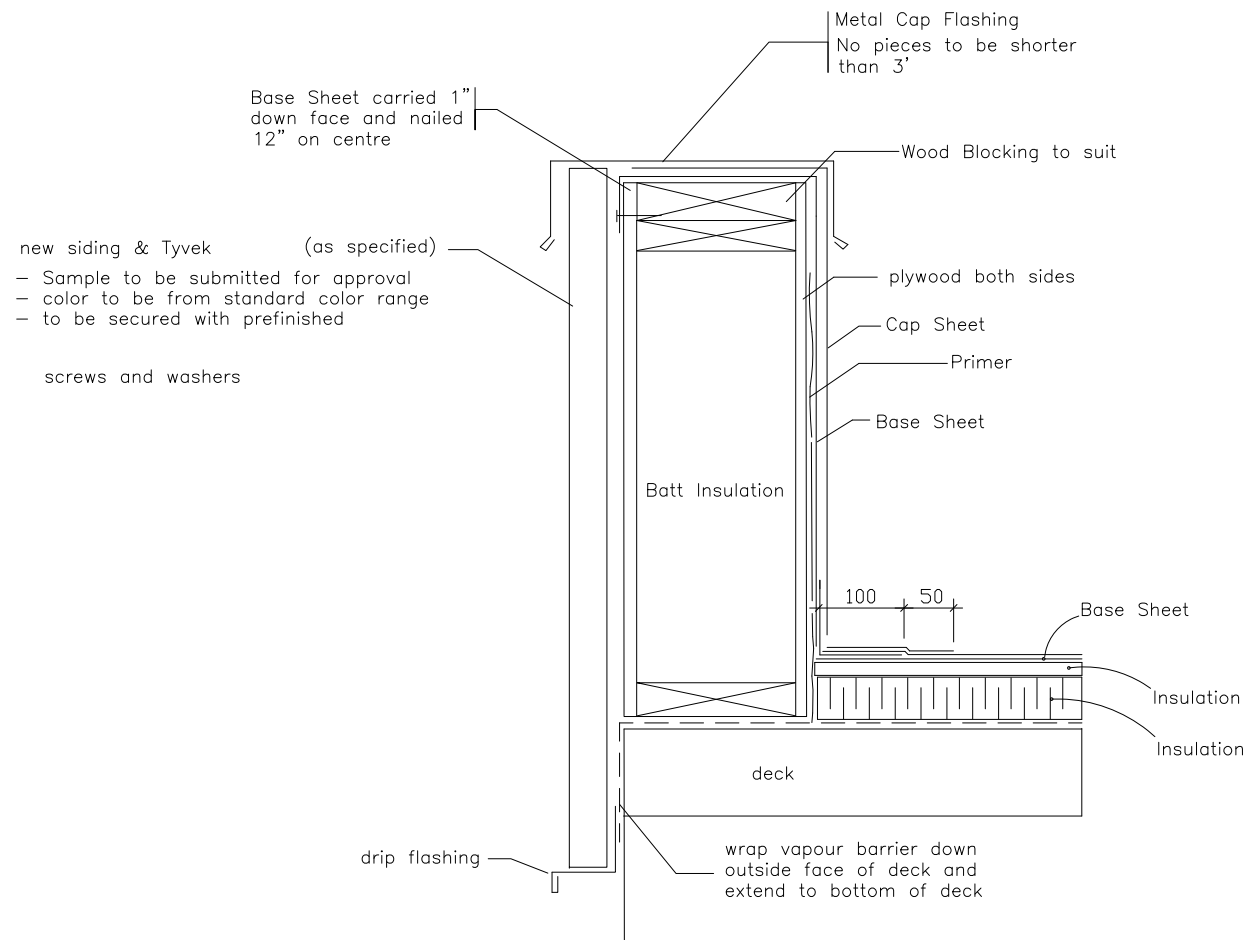


# Plumbing Vent Flashing

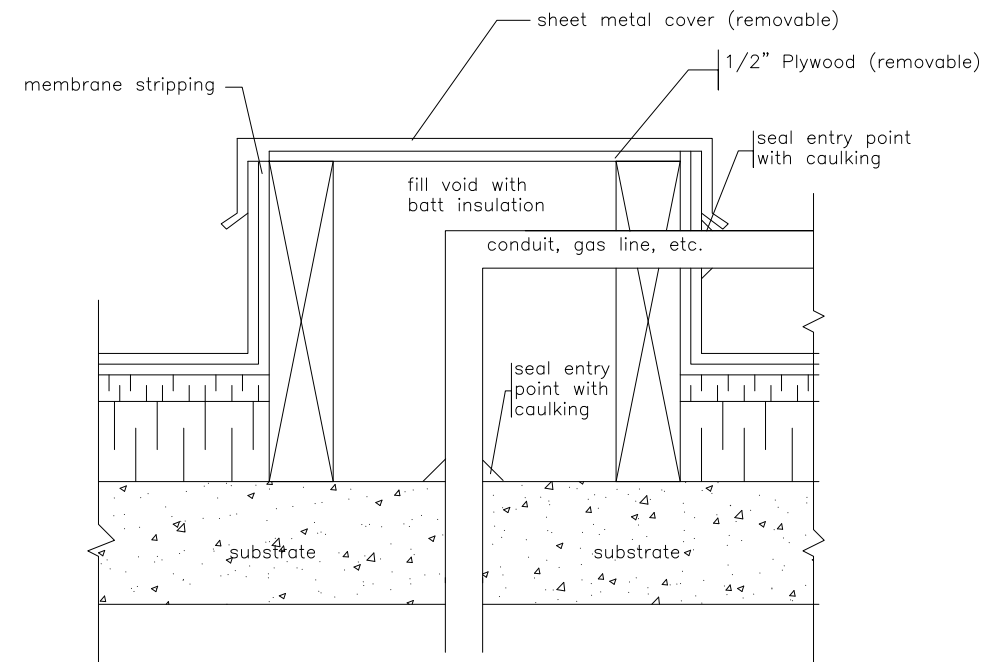


SJ-20 ALUMINUM STACK JACK (13") HIGH

# Typical Parapet Construction



# Typical Curb Style Pitch Box



Note: vapour barrier is to be carried under curb

<b>AGASSIZ CONSULTING GROUP</b>	
809 Pipeline Road, Winnipeg, Manitoba Phone: 697-8091 Fax: 697-8039	
Project:	Charles A. Barbour Arena 500 Nathaniel Winnipeg, Mb
Date:	January 2, 2012
Drawing No.	D-1
File no:	3616-12
Scale:	N.T.S.