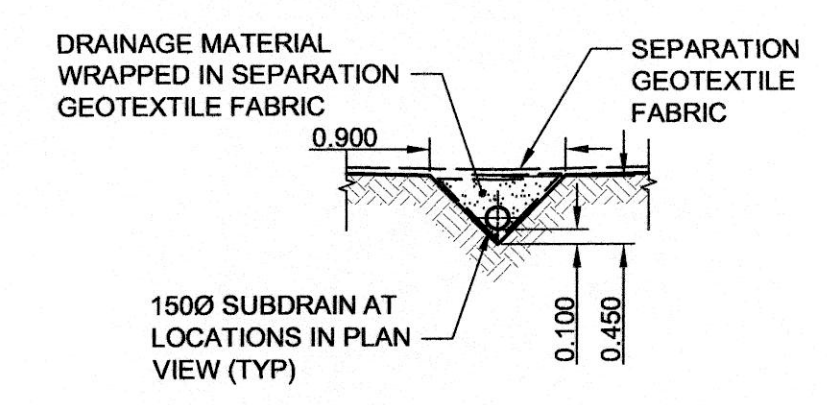
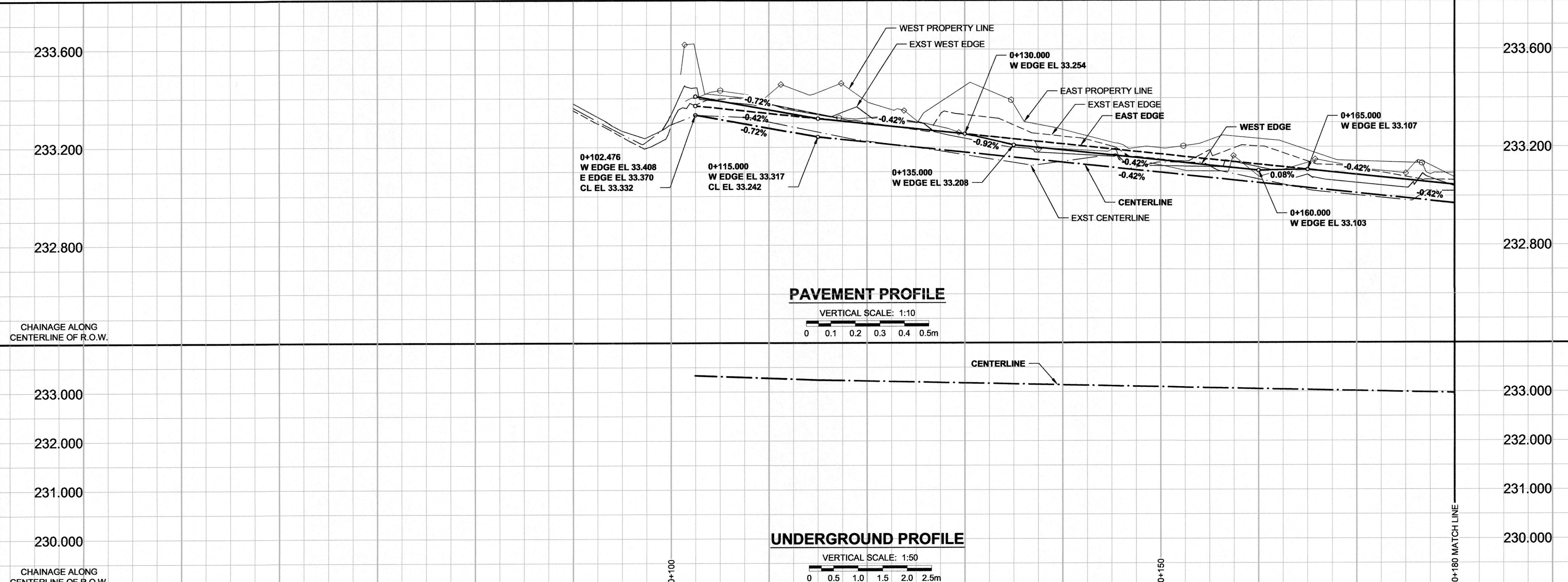
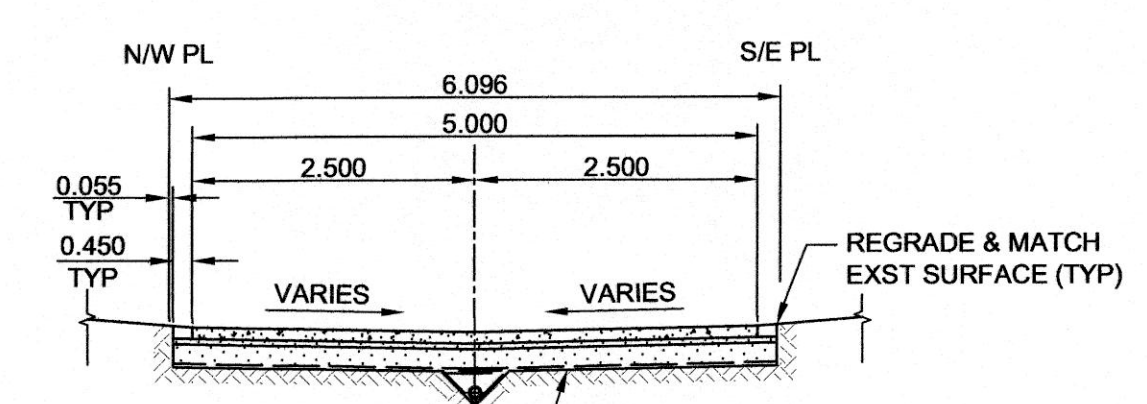


A1 SIZE 594mm x 841mm  
PLOT: 4/18/2012 1:47:30 PM  
FILE NAME: W11401400-T-001\_R0.dwg Saved By: ddszpod

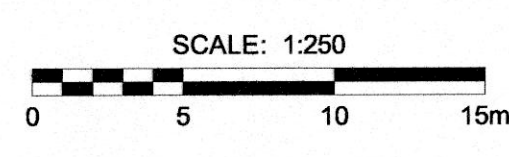


**SUBDRAIN DETAIL**  
CONCRETE PAVEMENT STRUCTURE  
TYPICAL  
SCALE: N.T.S.



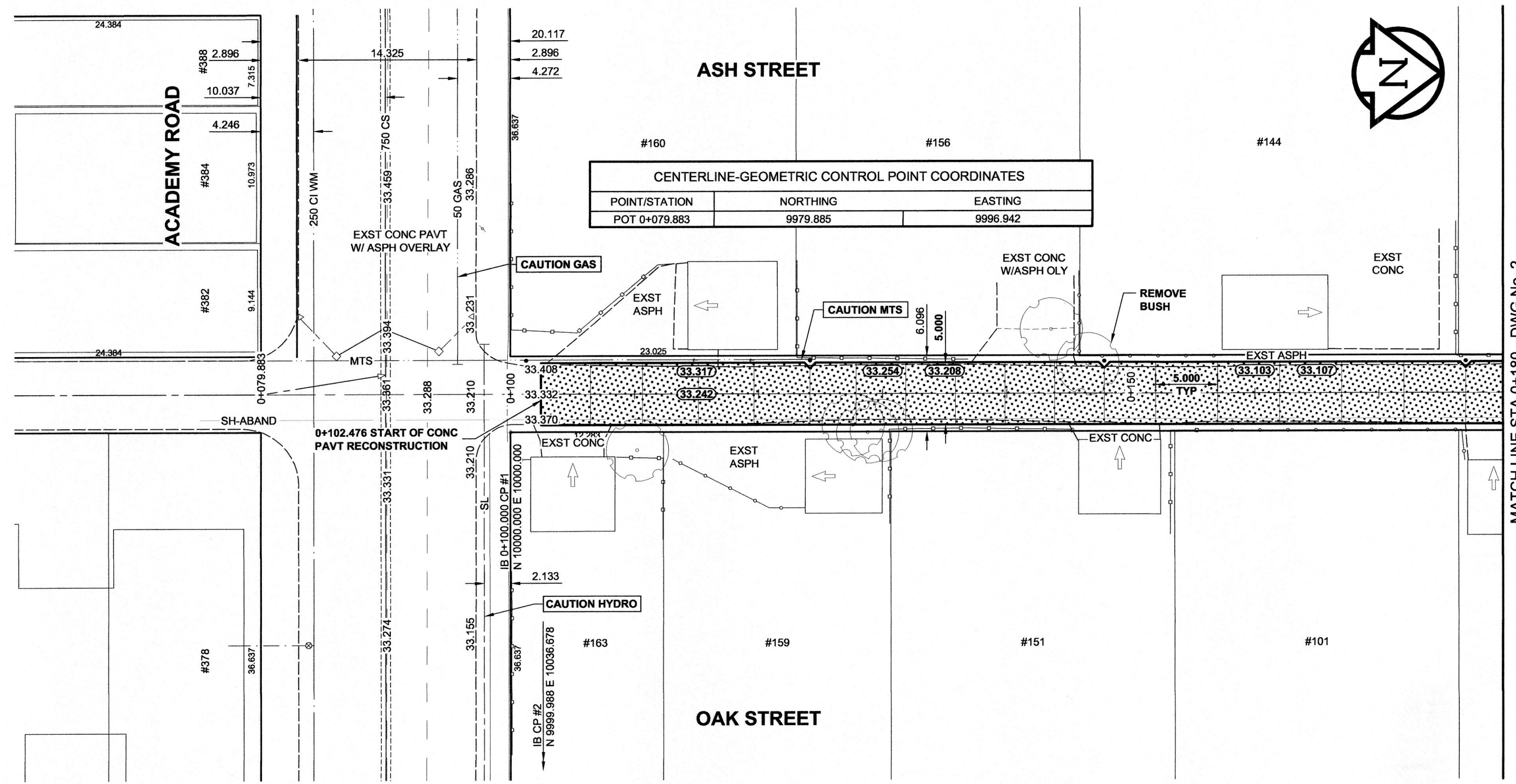
**PAVEMENT SECTION**  
CONCRETE PAVEMENT STRUCTURE  
TYPICAL  
SCALE: N.T.S.

- NOTES**
- ADJUST MH AND CB RIMS TO NEW GRADES.
  - LAMP STANDARDS, HYDRO POLES, AND ANCHORS THAT REQUIRE TEMPORARY SUPPORT, REMOVAL OR REPLACEMENT TO BE DONE SO AT THE EXPENSE OF THE CONTRACTOR.
  - CONTRACTOR TO REGRADE/RENEW EXIST PRIVATE SIDEWALKS TO LIMITS AS SHOWN. SIDEWALKS TO BE RENEWED WITH CONCRETE UNLESS NOTED OTHERWISE.
  - CONTRACTOR SHALL TAKE PRECAUTIONARY STEPS TO PROTECT EXISTING TREES WITHIN THE LIMITS OF CONSTRUCTION FROM DAMAGE FROM CONSTRUCTION ACTIVITIES AS OUTLINED IN THE SPECIFICATIONS.
  - MODIFIED BARRIER CURB TO BE USED AT ALL INTERSECTION RADII, BACK LANE RADII AND BULLNOSES.
  - CONTRACTOR SHALL CONFIRM THE LOCATION OF ALL UTILITIES/SERVICES IN THE FIELD PRIOR TO CONSTRUCTION TO OBTAIN GEODETIC ELEVATIONS.
  - ADD 200.000m TO ABBREVIATED ELEVATIONS TO OBTAIN GEODETIC ELEVATIONS.
  - LIMITS AND MATERIALS OF DRIVEWAYS REQUIRING PARTIAL RECONSTRUCTION WILL BE DETERMINED IN THE FIELD BY THE CONTRACT ADMINISTRATOR.



**APECM**  
Certificate of Authorization  
MORRISON HERSHFIELD  
No. 1736 Date: APR 11/12

BID OPPORTUNITY No. 239-2012



**METRIC**  
WHOLE NUMBERS INDICATE MILLIMETRES  
DECIMALIZED NUMBERS INDICATE METRES

EXISTING	LEGEND - PLAN	NEW	EXISTING	LEGEND - PLAN	NEW	EXISTING	LEGEND - PLAN	NEW	
	GAS		MANHOLE		CONCRETE PAVEMENT		LOCATION APPROVED		BM
	MTS		CATCH BASIN / CATCH PIT		CONC SIDEWALK / MEDIAN		SUPR. UG STRUCTURES		ELEV
	HYDRO		CURB INLET WITH BOX		ASPHALT PAVEMENT		DATE		DATE
	CATV / FIBRE OPTIC		TREE		PAVING STONE		NOTE:		DATE
	TRAFFIC SIGNALS / PIT		TEST HOLE		GRAVEL		LOCATION OF UNDERGROUND STRUCTURES		DATE
	LAND DRAINAGE SEWER		PROPERTY LINE		RAMP CURBS		AS SHOWN ARE BASED ON THE BEST INFORMATION AVAILABLE. BUT NO GUARANTEE IS GIVEN THAT ALL EXISTING UTILITIES ARE SHOWN OR THAT THE GIVEN LOCATIONS ARE EXACT. CONFIRMATION OF EXISTENCE AND EXACT LOCATION OF ALL SERVICES MUST BE OBTAINED FROM THE INDIVIDUAL UTILITIES BEFORE PROCEEDING WITH CONSTRUCTION.		DATE
	SANITARY/COMBINED SEWER		SURVEY BAR		PLANING / REMOVAL		DATE		DATE
	SSP/DCP		FENCE				DATE		DATE
	WATERMAIN		BOC / EDGE OF PAVEMENT				DATE		DATE
	SUBDRAIN		ELEVATION				DATE		DATE
	DITCH		TRAFFIC SIGN				DATE		DATE

DESIGNED BY	JGK	CHECKED BY	RPB
DRAWN BY	DID/DML	APPROVED BY	BWB
HOR. SCALE	1:250	RELEASED FOR CONSTRUCTION	
VERT. SCALE	AS SHOWN	DATE	APR 12/12
DATE	12/04/19	DATE	12/04/19

**MORRISON HERSHFIELD**

DESIGNED BY: JGK  
CHECKED BY: RPB  
DRAWN BY: DID/DML  
APPROVED BY: BWB  
HOR. SCALE: 1:250  
VERT. SCALE: AS SHOWN  
DATE: 12/04/19

PROFESSIONAL'S SEAL  
PROVINCE OF MANITOBA  
REGISTERED PROFESSIONAL ENGINEER  
**J.G. KENNEDY**  
Member  
22326  
APR 19/12

**THE CITY OF WINNIPEG**  
PUBLIC WORKS DEPARTMENT  
ENGINEERING DIVISION

**2012 REGIONAL & LOCAL STREET ALLEY PACKAGE**  
ASH STREET-OAK STREET ALLEY  
BETWEEN ACADEMY ROAD & WELLINGTON CRESC  
HORIZONTAL AND VERTICAL ALIGNMENT  
STA 0+102 TO STA 0+180

CITY DRAWING NUMBER: N/A  
SHEET 1 OF 17  
DRAWING No. 1  
REV 0