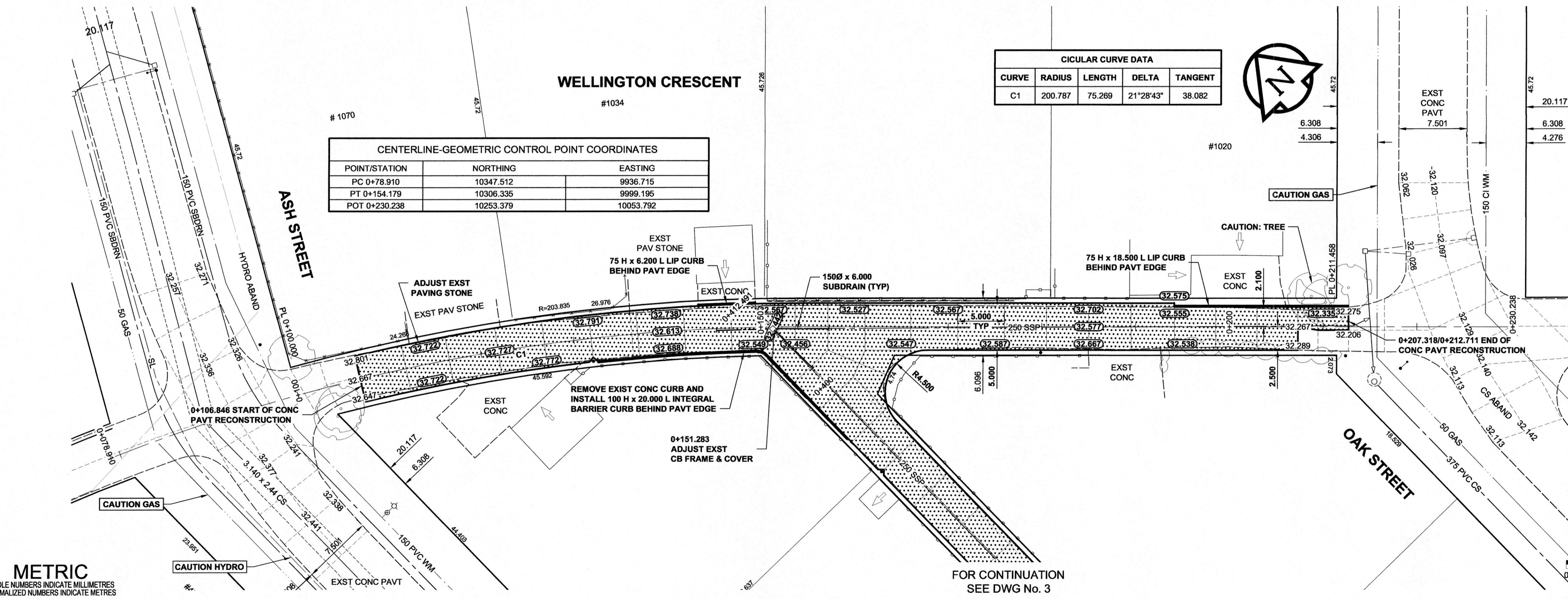
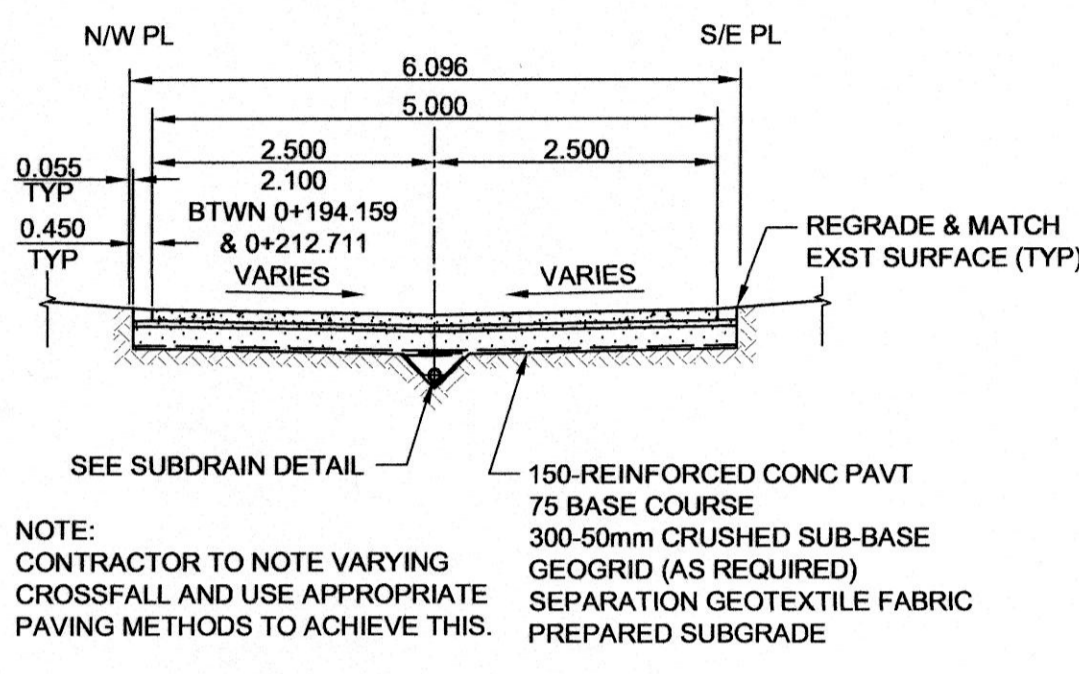
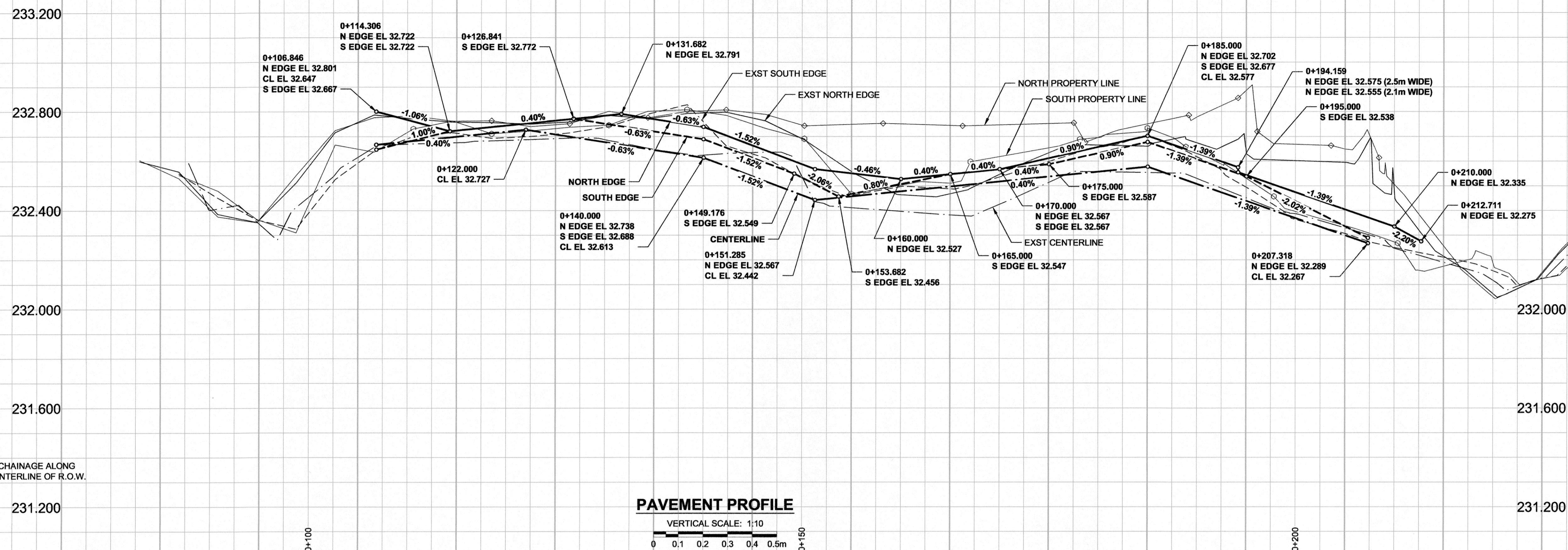


A1 SIZE 594mm x 841mm  
 PLOT: 4/18/2012 1:48:11 PM  
 FILE NAME: W11401400-T-004-RO.dwg Saved By: ddoszpoc

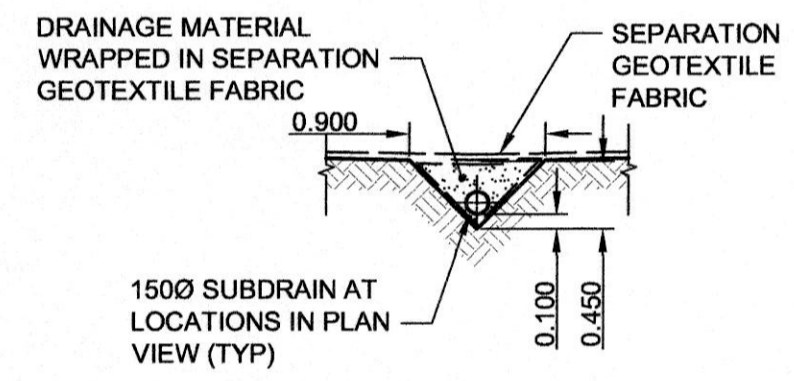


**CENTERLINE-GEOMETRIC CONTROL POINT COORDINATES**

POINT/STATION	NORTHING	EASTING
PC 0+78.910	10347.512	9936.715
PT 0+154.179	10306.335	9999.195
POT 0+230.238	10253.379	10053.792

**CIRCULAR CURVE DATA**

CURVE	RADIUS	LENGTH	DELTA	TANGENT
C1	200.787	75.269	21°28'43"	38.082



- NOTES**
- ADJUST MH AND CB RIMS TO NEW GRADES.
  - LAMP STANDARDS, HYDRO POLES, AND ANCHORS THAT REQUIRE TEMPORARY SUPPORT, REMOVAL OR REPLACEMENT TO BE DONE SO AT THE EXPENSE OF THE CONTRACTOR.
  - CONTRACTOR TO REGRADE/RENEW EXIST PRIVATE SIDEWALKS TO LIMITS AS SHOWN. SIDEWALKS TO BE RENEWED WITH CONCRETE UNLESS NOTED OTHERWISE.
  - CONTRACTOR SHALL TAKE PRECAUTIONARY STEPS TO PROTECT EXISTING TREES WITHIN THE LIMITS OF CONSTRUCTION FROM DAMAGE FROM CONSTRUCTION ACTIVITIES AS OUTLINED IN THE SPECIFICATIONS.
  - MODIFIED BARRIER CURB TO BE USED AT ALL INTERSECTION RADII, BACK LANE RADII AND BULLNOSES.
  - CONTRACTOR SHALL CONFIRM THE LOCATION OF ALL UTILITIES/SERVICES IN THE FIELD PRIOR TO CONSTRUCTION.
  - ADD 200.000m TO ABBREVIATED ELEVATIONS TO OBTAIN GEODEIC ELEVATIONS.
  - LIMITS AND MATERIALS OF DRIVEWAYS REQUIRING PARTIAL RECONSTRUCTION WILL BE DETERMINED IN THE FIELD BY THE CONTRACT ADMINISTRATOR.

**METRIC**  
 WHOLE NUMBERS INDICATE MILLIMETRES  
 DECIMALIZED NUMBERS INDICATE METRES

EXISTING	LEGEND - PLAN	NEW	EXISTING	LEGEND - PLAN	NEW	EXISTING	LEGEND - PLAN	NEW	
	GAS		MANHOLE		CONCRETE PAVEMENT		LOCATION APPROVED		BM
	MTS		CATCH BASIN / CATCH PIT		CONC SIDEWALK / MEDIAN		SUPR. LIG STRUCTURES		GBN No. 51-041
	HYDRO		CURB INLET WITH BOX		ASPHALT PAVEMENT		DATE COMMITTEE		ELEV 233.239m
	CATV / FIBRE OPTIC		TREE		PAVING STONE		NOTE:		ISSUED FOR CONSTRUCTION
	TRAFFIC SIGNALS / PIT		PROPERTY LINE		GRAVEL		LOCATION OF UNDERGROUND STRUCTURES AS SHOWN ARE BASED ON THE BEST INFORMATION AVAILABLE. BUT NO GUARANTEE IS GIVEN THAT ALL EXISTING UTILITIES ARE SHOWN OR THAT THE GIVEN LOCATIONS ARE EXACT. CONFIRMATION OF EXISTENCE AND EXACT LOCATION OF ALL SERVICES MUST BE OBTAINED FROM THE INDIVIDUAL UTILITIES BEFORE PROCEEDING WITH CONSTRUCTION.		REVISIONS
	LAND DRAINAGE SEWER		SURVEY BAR		RAMP CURB		DATE		ISSUED FOR CONSTRUCTION
	SANITARY/COMBINED SEWER		FENCE		PLANING / REMOVAL		DATE		ISSUED FOR CONSTRUCTION
	SSP/DCP		BOC / EDGE OF PAVEMENT		ELEVATION		DATE		ISSUED FOR CONSTRUCTION
	WATERMAIN		TRAFFIC SIGN		ELEVATION		DATE		ISSUED FOR CONSTRUCTION
	SUBDRAIN		ELEVATION		ELEVATION		DATE		ISSUED FOR CONSTRUCTION
	DITCH		ELEVATION		ELEVATION		DATE		ISSUED FOR CONSTRUCTION

**LOCATION APPROVED**  
 UNDERGROUND STRUCTURES

BM GBN No. 51-041  
 ELEV 233.239m

ISSUED FOR CONSTRUCTION 12/04/19 JGK

REVISIONS YYYMMDD BY

**MORRISON HERSHFELD**

DESIGNED BY JGK  
 CHECKED BY RPB  
 DRAWN BY DID/DML  
 APPROVED BY BWB  
 HOR. SCALE 1:250  
 VERT. SCALE AS SHOWN  
 DATE 12/04/19

PROFESSIONAL'S SEAL  
 PROVINCE OF MANITOBA  
 J.G. Kennedy  
 Member  
 22326  
 APR 11/12  
 REGISTERED PROFESSIONAL ENGINEER  
 CONSULTANT DRAWING No.  
 W11401400-T-004-RO.dwg

**THE CITY OF WINNIPEG**  
 PUBLIC WORKS DEPARTMENT  
 ENGINEERING DIVISION

**2012 REGIONAL & LOCAL STREET ALLEY PACKAGE**  
 ASH STREET-OAK STREET ALLEY  
 WEST/EAST LEG SOUTH OF WELLINGTON CRESC  
 HORIZONTAL AND VERTICAL ALIGNMENT  
 STA 0+106 TO STA 0+207

CITY DRAWING NUMBER N/A  
 SHEET 4 OF 17  
 DRAWING No. 4  
 REV 0

BID OPPORTUNITY No. 239-2012