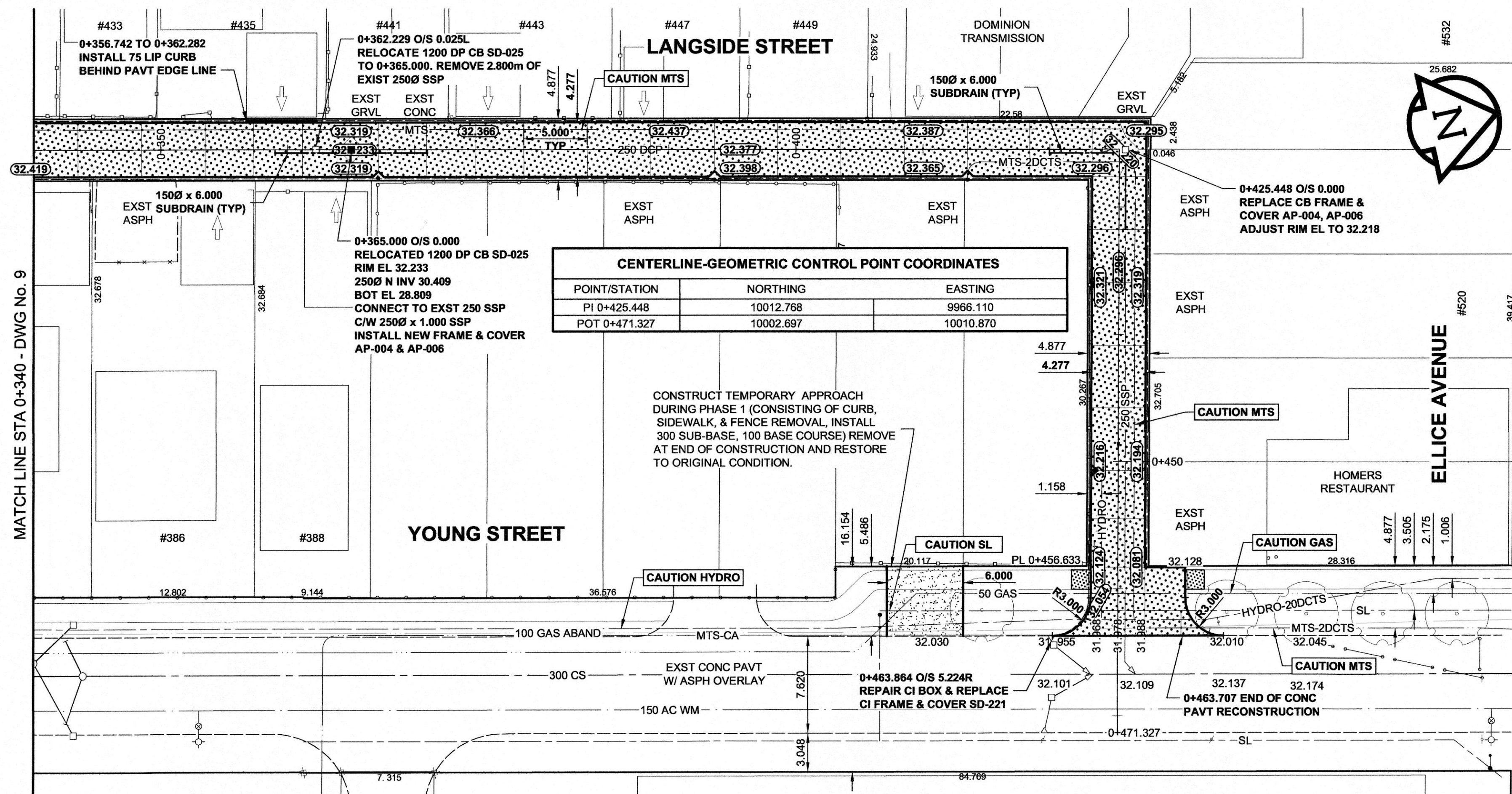
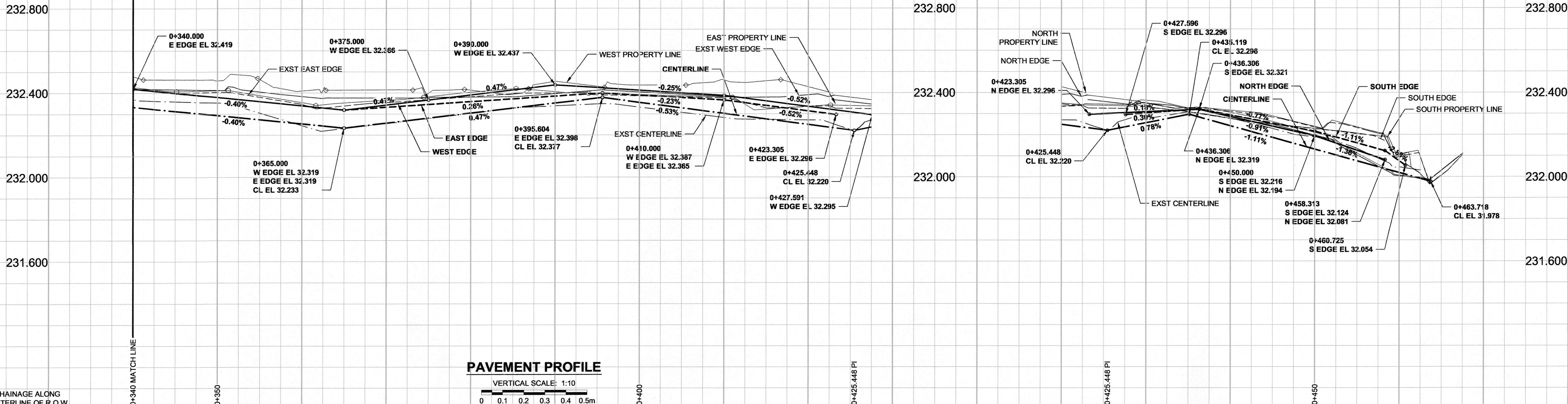
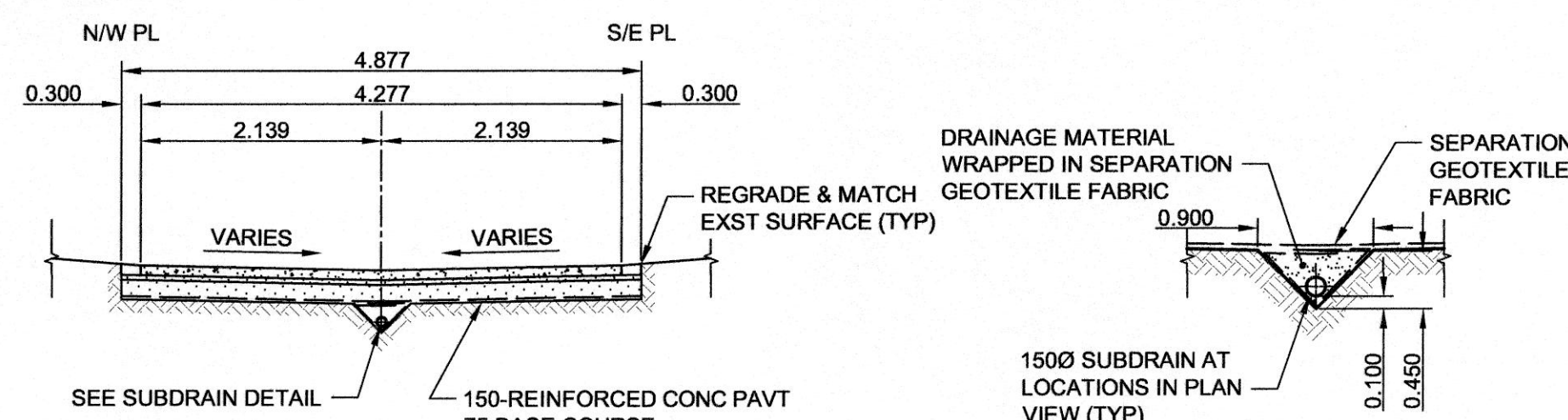


A1 SIZE 594mm x 841mm
 PLOT: 4/18/2012 2:19:15 PM
 FILE NAME: W11401400-T-010_R0.dwg Saved By: ddoszpoc

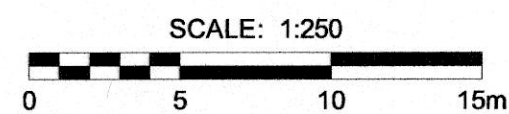


CENTERLINE-GEOMETRIC CONTROL POINT COORDINATES		
POINT/STATION	NORTHING	EASTING
PI 0+425.448	10012.768	9966.110
POT 0+471.327	10002.897	10010.870



PAVEMENT SECTION
 CONCRETE PAVEMENT STRUCTURE
 STA 0+128.699 TO 0+463.707
 SCALE: N.T.S.

- NOTES**
- ADJUST MH AND CB RIMS TO NEW GRADES.
 - LAMP STANDARDS, HYDRO POLES, AND ANCHORS THAT REQUIRE TEMPORARY SUPPORT, REMOVAL OR REPLACEMENT TO BE DONE SO AT THE EXPENSE OF THE CONTRACTOR.
 - CONTRACTOR TO REGRADE/RENEW EXST PRIVATE SIDEWALKS TO LIMITS AS SHOWN. SIDEWALKS TO BE RENEWED WITH CONCRETE UNLESS NOTED OTHERWISE.
 - CONTRACTOR SHALL TAKE PRECAUTIONARY STEPS TO PROTECT EXISTING TREES WITHIN THE LIMITS OF CONSTRUCTION FROM DAMAGE FROM CONSTRUCTION ACTIVITIES AS OUTLINED IN THE SPECIFICATIONS.
 - MODIFIED BARRIER CURB TO BE USED AT ALL INTERSECTION RADI, BACK LANE RADI AND BULLNOSES.
 - CONTRACTOR SHALL CONFIRM THE LOCATION OF ALL UTILITIES/SERVICES IN THE FIELD PRIOR TO CONSTRUCTION.
 - ADD 200.000m TO ABBREVIATED ELEVATIONS TO OBTAIN GEODETIC ELEVATIONS.
 - LIMITS AND MATERIALS OF DRIVEWAYS REQUIRING PARTIAL RECONSTRUCTION WILL BE DETERMINED IN THE FIELD BY THE CONTRACT ADMINISTRATOR.



METRIC
 WHOLE NUMBERS INDICATE MILLIMETRES
 DECIMALIZED NUMBERS INDICATE METRES

EXISTING	LEGEND - PLAN	NEW	EXISTING	LEGEND - PLAN	NEW	EXISTING	LEGEND - PLAN	NEW	
	GAS		MANHOLE		CONCRETE PAVEMENT		LOCATION APPROVED		BM
	MTS		CATCH BASIN / CATCH PIT		CONC SIDEWALK / MEDIAN		SUPR. U/G STRUCTURES		GBM No. 37-029
	HYDRO		CURB INLET WITH BOX		ASPHALT PAVEMENT		DATE		ELEV 232.536m
	CATV / FIBRE OPTIC		TREE		PAVING STONE		NOTE:		DESIGNED BY
	LAND DRAINAGE SEWER		TEST HOLE		GRAVEL		LOCATION OF UNDERGROUND STRUCTURES		CHECKED BY
	SANITARY/COMBINED SEWER		PROPERTY LINE		RAMP CURB		INFORMATION AVAILABLE. BUT NO		APPROVED BY
	SSP/DCP		SURVEY BAR		PLANING / REMOVAL		GUARANTEE IS GIVEN THAT ALL EXISTING		RELEASED FOR CONSTRUCTION
	WATERMAIN		FENCE		EXISTING		SERVICES ARE SHOWN OR THAT THE GIVEN		DATE
	SUBDRAIN		BOC / EDGE OF PAVEMENT		NEW		LOCATIONS ARE EXACT. CONFIRMATION OF		DATE
	DITCH		ELEVATION		EXISTING		EXACT LOCATION OF ALL		DATE
	DITCH		TRAFFIC SIGN		NEW		SERVICES MUST BE OBTAINED FROM THE		DATE
	DITCH		TRAFFIC SIGN		NEW		INDIVIDUAL AND EXACT LOCATION OF ALL		DATE
	DITCH		TRAFFIC SIGN		NEW		SERVICES BEFORE PROCEEDING		DATE

ISSUED FOR CONSTRUCTION	12/04/19	GFC
REVISIONS	YYMMDD	BY

MORRISON HERSHFELD	
DESIGNED BY	GFC
CHECKED BY	RPB
DRAWN BY	DID/DML
APPROVED BY	BWB
HR. SCALE	1:250
VERT. SCALE	AS SHOWN
DATE	12/04/19

PROFESSIONAL'S SEAL
 PROVINCE OF MANITOBA
 G.F. COOLIDGE
 Member 24465
 April 19/12
 REGISTERED PROFESSIONAL ENGINEER
 CONSULTANT DRAWING No. W11401400-T-010_R0.dwg

THE CITY OF WINNIPEG
 PUBLIC WORKS DEPARTMENT
 ENGINEERING DIVISION

2012 REGIONAL & LOCAL STREET ALLEY PACKAGE
 LANGSIDE STREET-YOUNG STREET ALLEY
 BETWEEN PORTAGE AVENUE & ELLICE AVENUE
 HORIZONTAL AND VERTICAL ALIGNMENT
 STA 0+340 TO STA 0+463

CITY DRAWING NUMBER N/A
 SHEET 10 OF 17
 DRAWING No. 10
 REV 0

BID OPPORTUNITY No. 239-2012