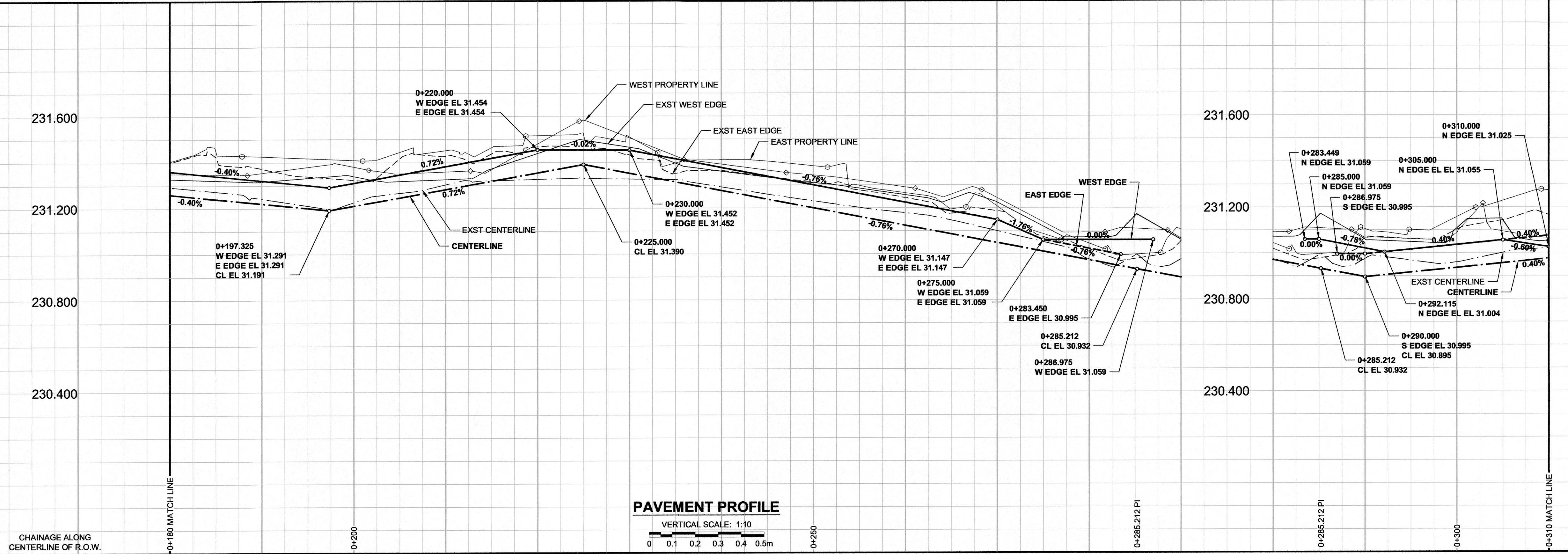
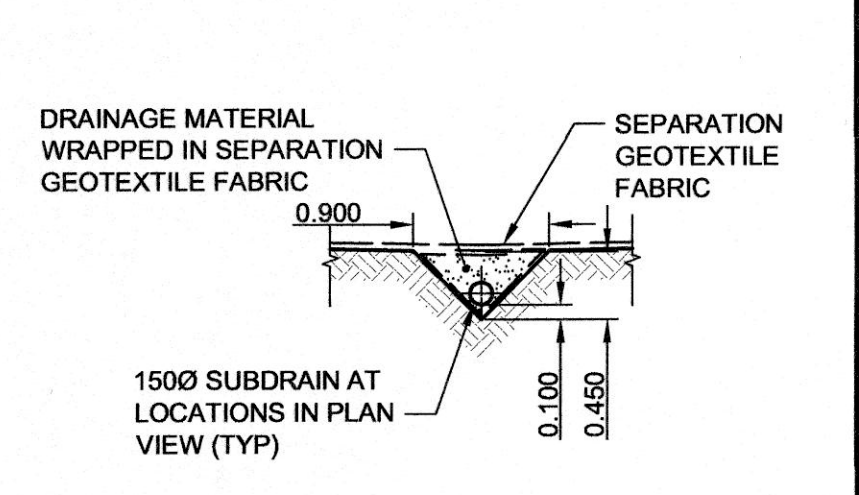


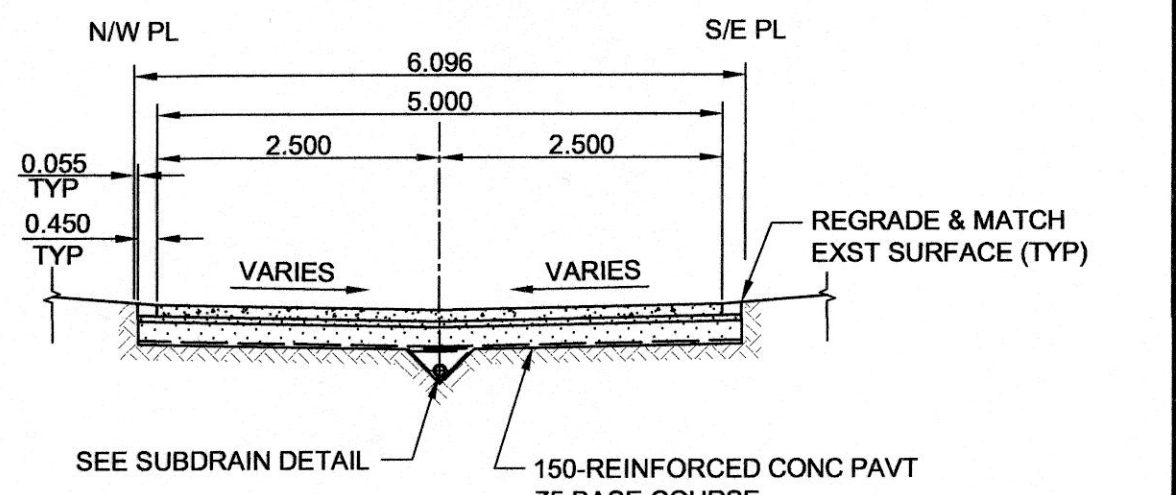
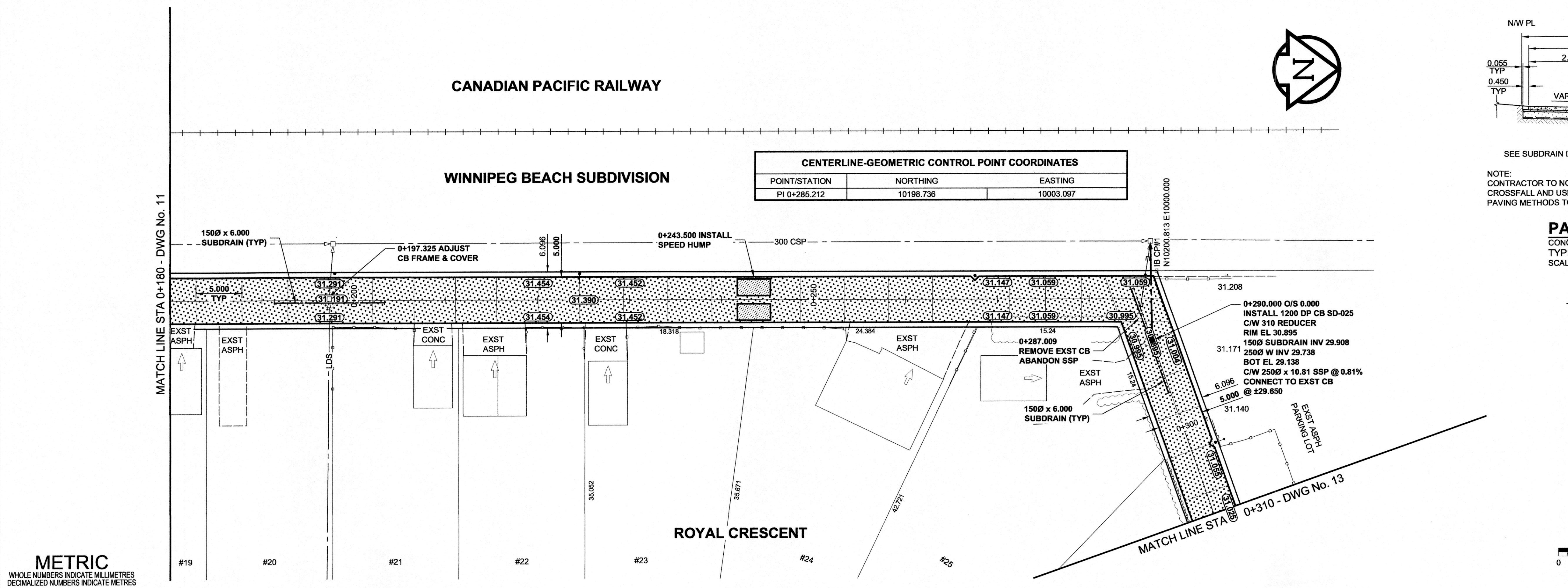
A1 SIZE 594mm x 841mm  
PLOT: 4/18/2012 1:49:31 PM  
FILE NAME: W11401400-T-012\_R0.dwg Saved By: ddszppod



**NOTES:**  
 - PAVEMENT SURFACE SHALL BE PREPARED WITH ONE UNIFORM APPLICATION OF TACK COAT.  
 - SPEED HUMPS SHALL BE CONSTRUCTED 3.60 LONG x 1.80 WIDE OF NEW ASPHALTIC CONCRETE PAVING MIXTURE (OVERLAY) TYPE I SURFACE COURSE (CW 3410).



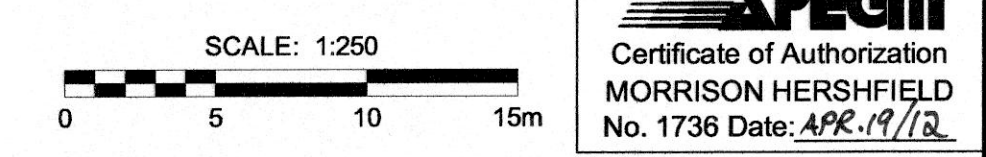
**SUBDRAIN DETAIL**  
 CONCRETE PAVEMENT STRUCTURE  
 TYPICAL  
 SCALE: N.T.S.



**NOTE:**  
 CONTRACTOR TO NOTE VARYING CROSSFALL AND USE APPROPRIATE PAVING METHODS TO ACHIEVE THIS.

**PAVEMENT SECTION**  
 CONCRETE PAVEMENT STRUCTURE  
 TYPICAL  
 SCALE: N.T.S.

- NOTES:**
- ADJUST MH AND CB RIMS TO NEW GRADES.
  - LAMP STANDARDS, HYDRO POLES, AND ANCHORS THAT REQUIRE TEMPORARY SUPPORT, REMOVAL OR REPLACEMENT TO BE DONE SO AT THE EXPENSE OF THE CONTRACTOR.
  - CONTRACTOR TO REGRADE/RENEW EXST PRIVATE SIDEWALKS TO LIMITS AS SHOWN. SIDEWALKS TO BE RENEWED WITH CONCRETE UNLESS NOTED OTHERWISE.
  - CONTRACTOR SHALL TAKE PRECAUTIONARY STEPS TO PROTECT EXISTING TREES WITHIN THE LIMITS OF CONSTRUCTION FROM DAMAGE FROM CONSTRUCTION ACTIVITIES AS OUTLINED IN THE SPECIFICATIONS.
  - MODIFIED BARRIER CURB TO BE USED AT ALL INTERSECTION RADII, BACK LANE RADII AND BULLNOSES.
  - CONTRACTOR SHALL CONFIRM THE LOCATION OF ALL UTILITIES/SERVICES IN THE FIELD PRIOR TO CONSTRUCTION.
  - ADD 200.000m TO ABBREVIATED ELEVATIONS TO OBTAIN GEODETIC ELEVATIONS.
  - LIMITS AND MATERIALS OF DRIVEWAYS REQUIRING PARTIAL RECONSTRUCTION WILL BE DETERMINED IN THE FIELD BY THE CONTRACT ADMINISTRATOR.



**METRIC**  
 WHOLE NUMBERS INDICATE MILLIMETRES  
 DECIMALIZED NUMBERS INDICATE METRES

EXISTING	LEGEND - PLAN	NEW	EXISTING	LEGEND - PLAN	NEW	EXISTING	LEGEND - PLAN	NEW
---	GAS	---	○	MANHOLE	●	---	CONCRETE PAVEMENT	---
---	MTS	---	□	CATCH BASIN / CATCH PIT	■	---	CONC SIDEWALK / MEDIAN	---
---	HYDRO	---	△	CURB INLET WITH BOX	▲	---	ASPHALT PAVEMENT	---
---	CATV / FIBRE OPTIC	---	○	TREE	▲	---	PAVING STONE	---
---	TRAFFIC SIGNALS / PIT	---	⊕	TEST HOLE	⊕	---	GRAVEL	---
---	LAND DRAINAGE SEWER	---	⊕	PROPERTY LINE	---	---	RAMP CURB	---
---	SANITARY/COMBINED SEWER	---	⊕	SURVEY BAR	---	---	PLANING / REMOVAL	---
---	SSP/DCP	---	---	FENCE	---	---		
---	WATERMAIN	---	---	BOC / EDGE OF PAVEMENT	---	---		
---	SUBDRAIN	---	---	ELEVATION	(33.100)	---		
---	DITCH	---	---	TRAFFIC SIGN	(33.100)	---		

EXISTING	LEGEND - PLAN	NEW	EXISTING	LEGEND - PLAN	NEW	EXISTING	LEGEND - PLAN	NEW
---	GAS	---	○	MANHOLE	●	---	CONCRETE PAVEMENT	---
---	MTS	---	□	CATCH BASIN / CATCH PIT	■	---	CONC SIDEWALK / MEDIAN	---
---	HYDRO	---	△	CURB INLET WITH BOX	▲	---	ASPHALT PAVEMENT	---
---	CATV / FIBRE OPTIC	---	○	TREE	▲	---	PAVING STONE	---
---	TRAFFIC SIGNALS / PIT	---	⊕	TEST HOLE	⊕	---	GRAVEL	---
---	LAND DRAINAGE SEWER	---	⊕	PROPERTY LINE	---	---	RAMP CURB	---
---	SANITARY/COMBINED SEWER	---	⊕	SURVEY BAR	---	---	PLANING / REMOVAL	---
---	SSP/DCP	---	---	FENCE	---	---		
---	WATERMAIN	---	---	BOC / EDGE OF PAVEMENT	---	---		
---	SUBDRAIN	---	---	ELEVATION	(33.100)	---		
---	DITCH	---	---	TRAFFIC SIGN	(33.100)	---		

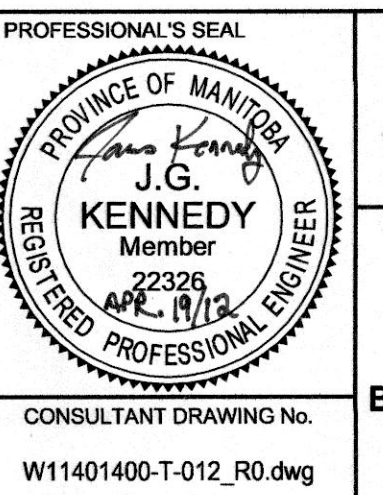
**LOCATION APPROVED**  
 UNDERGROUND STRUCTURES

SUPR. UG STRUCTURES DATE COMMITTEE

**NOTE:**  
 LOCATION OF UNDERGROUND STRUCTURES AS SHOWN ARE BASED ON THE BEST INFORMATION AVAILABLE. BUT NO GUARANTEE IS GIVEN THAT ALL EXISTING UTILITIES ARE SHOWN OR THAT THE GIVEN LOCATIONS ARE EXACT. CONFIRMATION OF EXISTENCE AND EXACT LOCATION OF ALL SERVICES MUST BE OBTAINED FROM THE INDIVIDUAL UTILITIES BEFORE PROCEEDING WITH CONSTRUCTION.

BM	GBM No. 13-018	ELEV 232.481m
No.	REVISIONS	YYMMDD BY

		DESIGNED BY JCK		CHECKED BY RPB	
		DRAWN BY DID/DML		APPROVED BY BWB	
HOR. SCALE 1:250		VERT. SCALE AS SHOWN		RELEASED FOR CONSTRUCTION	
DATE 12/04/19		DATE APRIL 12/12		CONSULTANT DRAWING No. W11401400-T-012_R0.dwg	



**THE CITY OF WINNIPEG**  
 PUBLIC WORKS DEPARTMENT  
 ENGINEERING DIVISION

**2012 REGIONAL & LOCAL STREET ALLEY PACKAGE**  
**McGREGOR STREET WEST ALLEY**  
 BETWEEN KINGSBURY AVENUE & McGREGOR STREET  
 HORIZONTAL AND VERTICAL ALIGNMENT  
 STA 0+180 TO STA 0+310

CITY DRAWING NUMBER	N/A
SHEET	12 OF 17
DRAWING No.	12
REV	0

BID OPPORTUNITY No. 239-2012