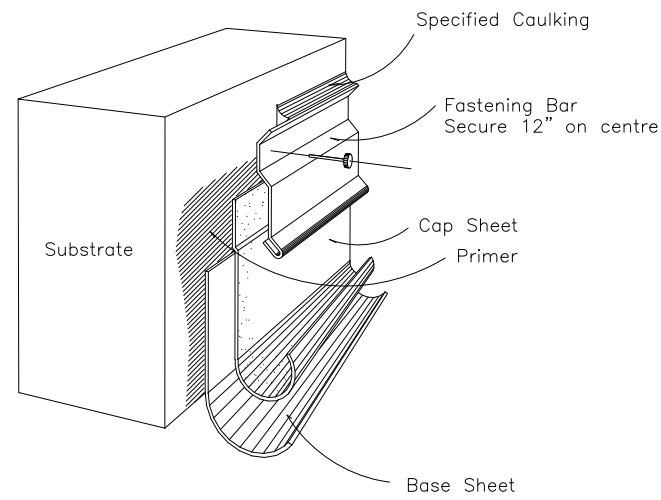
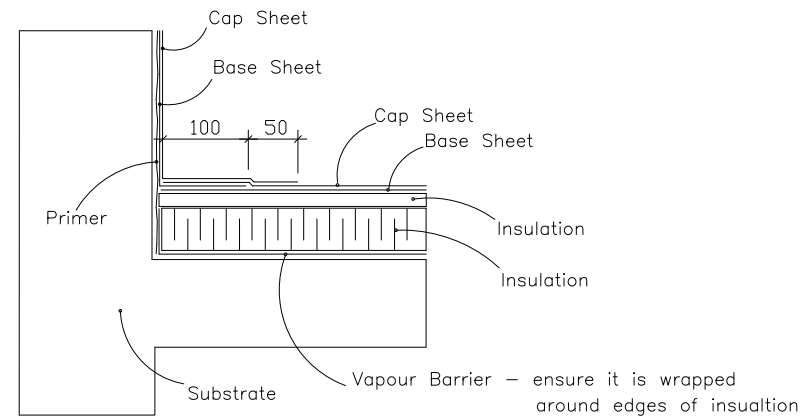


Typical Fastening Bar

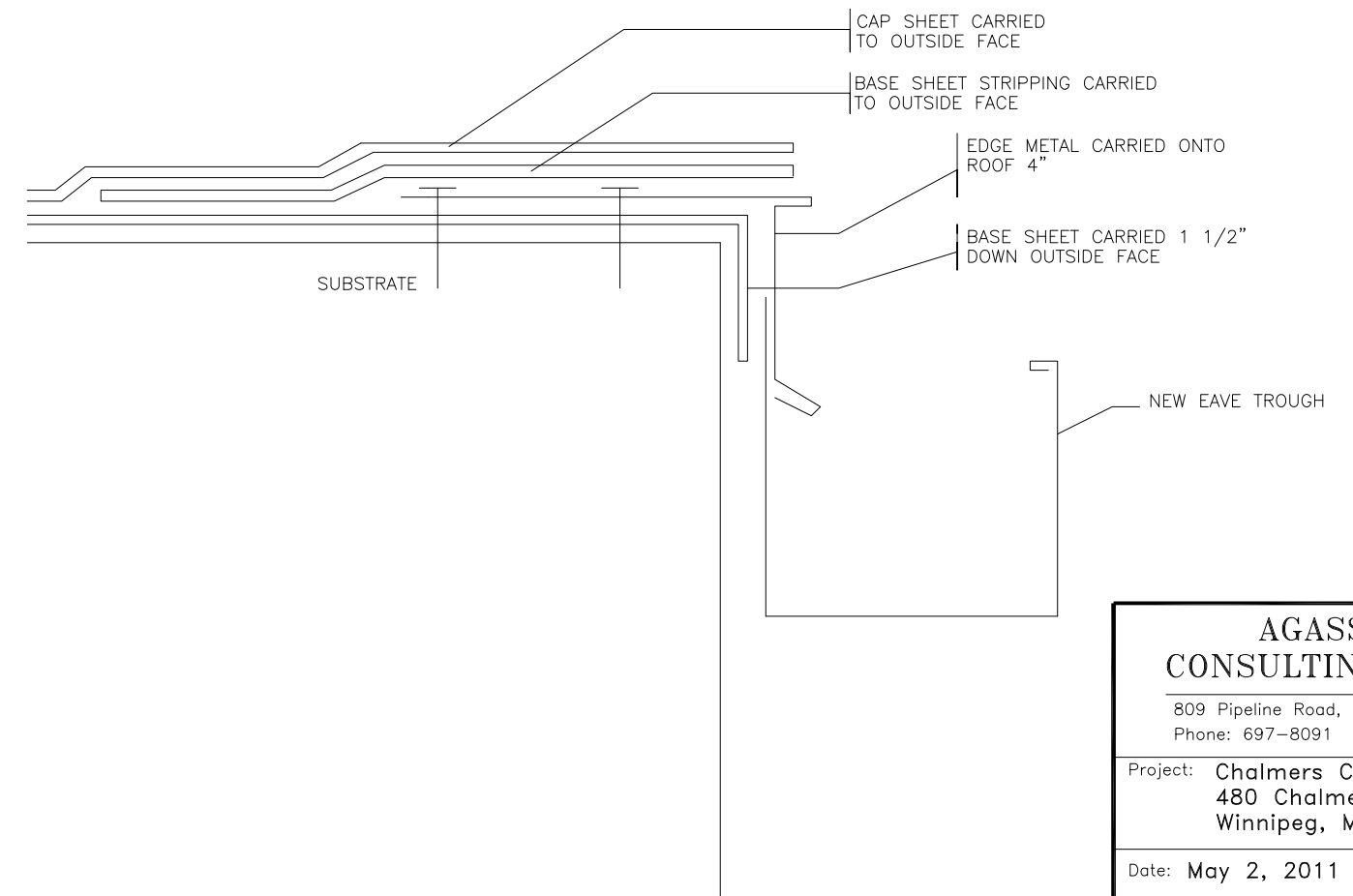


Typical Roof Edge Detail

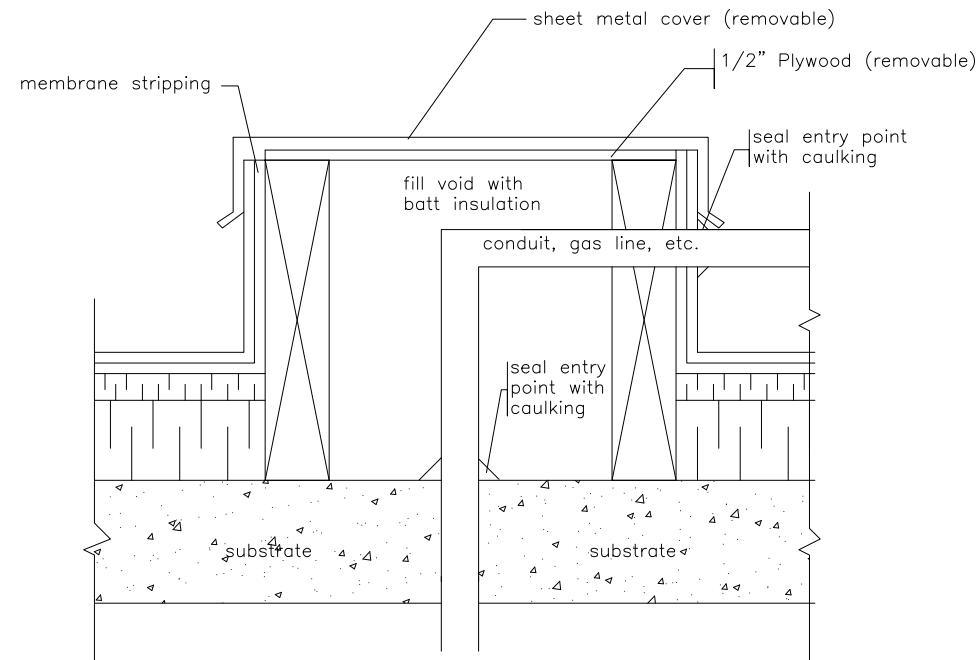


Note: Modified Bitumen stripping used in conjunction with 4 ply felt membrane is to have base sheet extend 12" onto flat and cap sheet 18" onto flat.

Typical Drip Edge



Typical Curb Style Pitch Box



AGASSIZ CONSULTING GROUP

809 Pipeline Road, Winnipeg, Manitoba
Phone: 697-8091 Fax: 697-8039

Project: Chalmers Community Center
480 Chalmers
Winnipeg, MB

Date: May 2, 2011

Drawing No. D-1

File no: 3222-11 Scale: N.T.S.