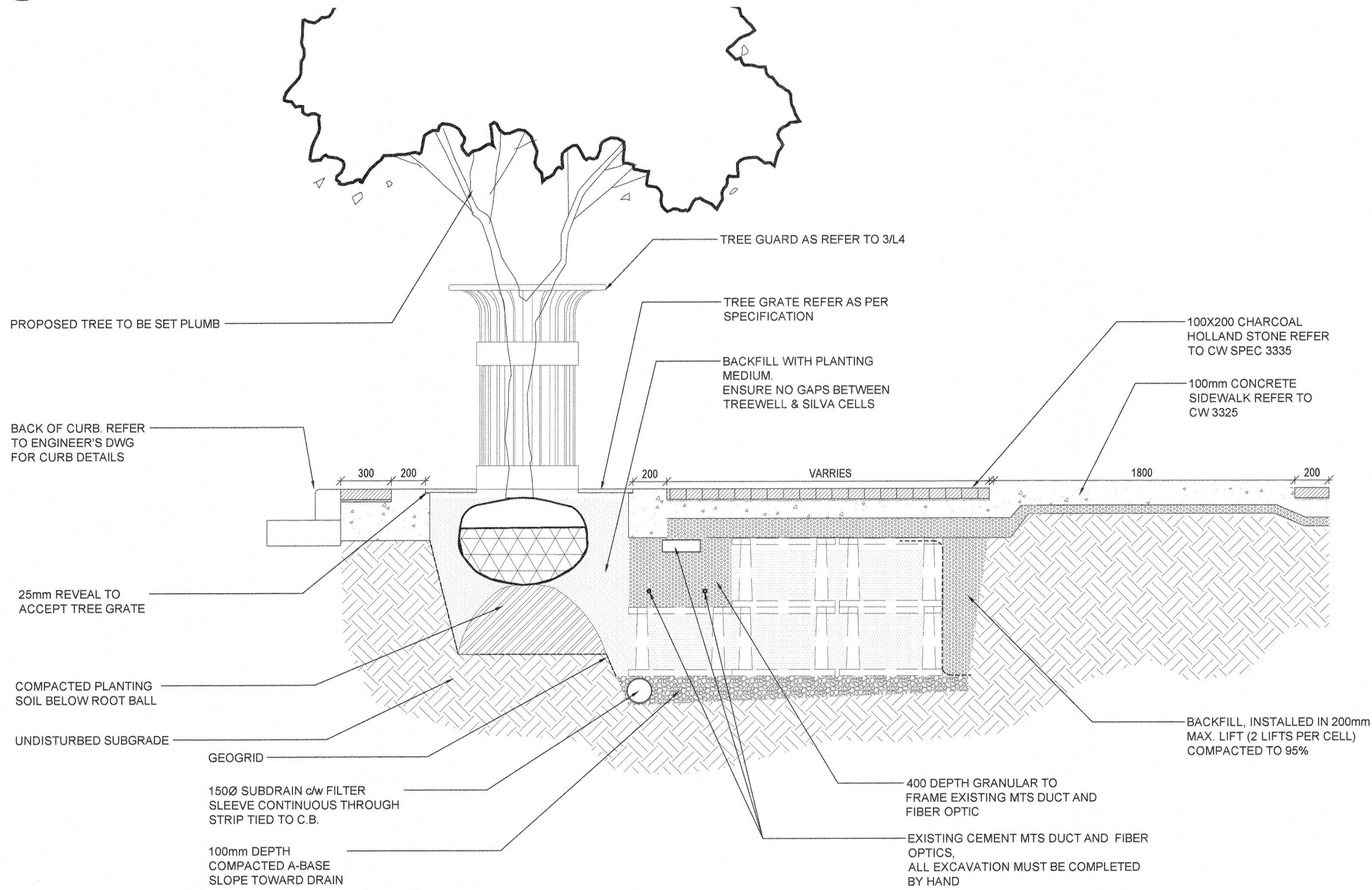
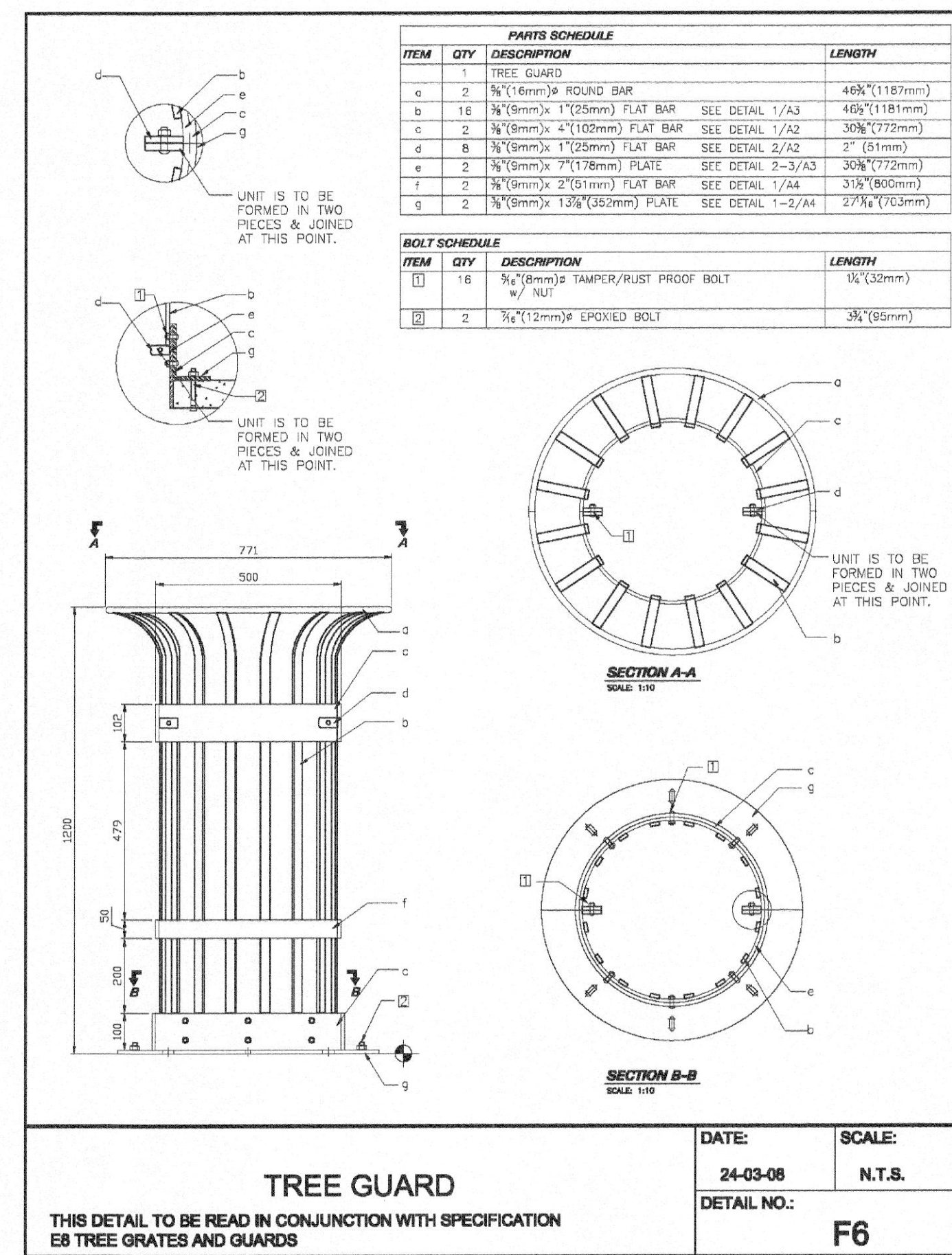


TREE PLANTING SPECIES				
SYMBOL	TREE	SPECIES	QTY	SIZE AND REMARKS (SHOWN ARE MINIMUM SPECIFICATION)
	AMERICAN ELM	<i>Ulmus americana</i>	3	65 mm caliper, 3500-4000mm ht, straight trunk, balanced head, B&B or tree mover, wire basket

1  
L4 SILVA CELL DETAIL SECTION  
SCALE - 1 : 20

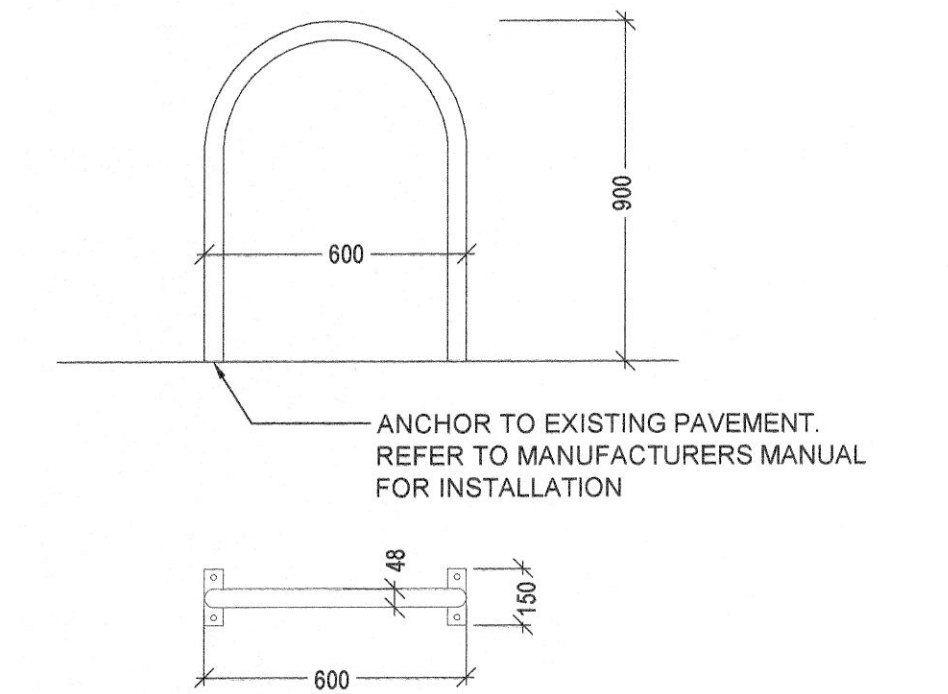


2  
L4 SILVA CELL TREE PLANTING DETAIL  
SCALE - 1 : 20



3  
L4 TREE GUARD  
N.T.S

4  
L4 DERO HOOP RACK DETAIL  
SCALE - 1 : 20



METRIC  
 WHOLE NUMBERS INDICATE MILLIMETRES  
 DECIMALIZED NUMBERS INDICATE METRES

EXISTING	LEGEND - PLAN	NEW	EXISTING	LEGEND - PLAN	NEW	EXISTING	LEGEND - PLAN	NEW
	GAS		MANHOLE		CONCRETE PAVEMENT		LOCATION APPROVED	
	MTS		CATCH BASIN / CATCH PIT		CONC SIDEWALK / MEDIAN		UNDERGROUND STRUCTURES	
	HYDRO		CURB INLET WITH BOX		ASPHALT PAVEMENT		SUPR. U/G STRUCTURES	
	CATV / FIBRE OPTIC		TREE		PAVING STONE		DATE	
	TRAFFIC SIGNALS / PIT		TEST HOLE		GRAVEL		COMMITTEE	
	LAND DRAINAGE SEWER		PROPERTY LINE		RAMP CURB		NOTE:	
	SANITARY/COMBINED SEWER		SURVEY BAR		PLANING / REMOVAL		LOCATION OF UNDERGROUND STRUCTURES AS SHOWN ARE BASED ON THE BEST INFORMATION AVAILABLE. BUT NO GUARANTEE IS GIVEN THAT ALL EXISTING UTILITIES ARE SHOWN OR THAT THE GIVEN LOCATIONS ARE EXACT. CONFIRMATION OF EXISTENCE AND EXACT LOCATION OF ALL SERVICES MUST BE OBTAINED FROM THE INDIVIDUAL UTILITIES BEFORE PROCEEDING WITH CONSTRUCTION.	
	SSP/DCP		FENCE					
	WATERMAIN		BOC / EDGE OF PAVEMENT					
	SUBDRAIN		ELEVATION					
	DITCH		TRAFFIC SIGN					

NO.	REVISIONS	DATE	BY
C	ISSUED FOR CONSTRUCTION	12/06/19	BGS
B	ISSUED FOR CLIENT REVIEW	12/06/15	BGS
A	ISSUED FOR CLIENT REVIEW	12/05/11	RPB

DESIGNED BY	CHECKED BY
BGS	BGS
DRAWN BY	APPROVED BY
NHJ	BGS
SCALE	RELEASED FOR CONSTRUCTION
AS SHOWN	DATE: June 19/12
DATE	DATE
12/06/19	June 19/12

PROFESSIONAL'S SEAL  
 BOB G. SOMERS  
 Member No. 95  
 CONSULTANT DRAWING No. 12-0245-001\_04

**THE CITY OF WINNIPEG**  
 PUBLIC WORKS DEPARTMENT  
 ENGINEERING DIVISION

2012 REGIONAL & LOCAL STREETS PROGRAM  
 FORT ST RECONSTRUCTION & STREETSCAPING  
 GRAHAM AVENUE TO PORTAGE AVENUE

CITY DRAWING NUMBER P-3335-7  
 SHEET 7 OF 7  
 DRAWING No. L4  
 REV C

BID OPPORTUNITY No. 250-2012