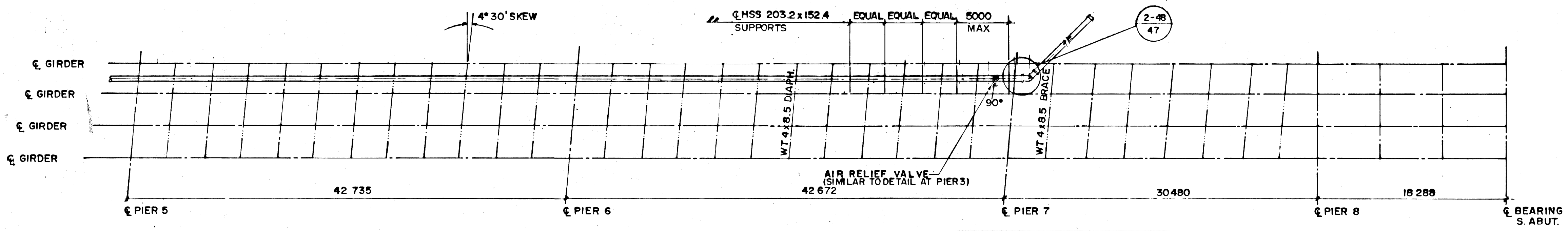
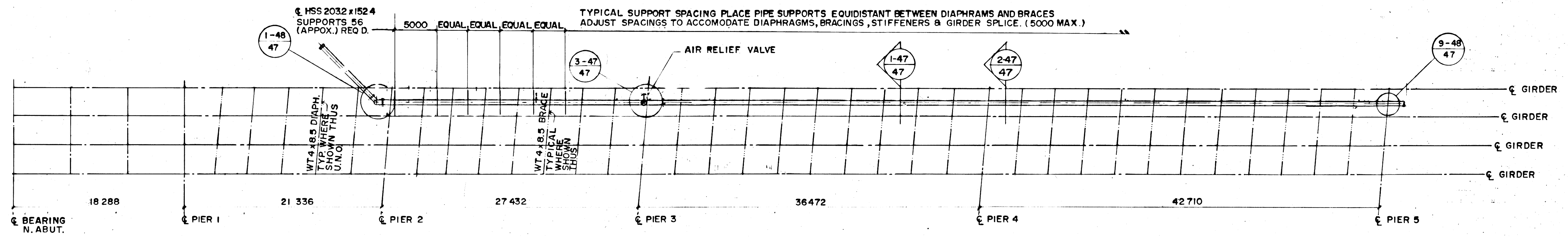
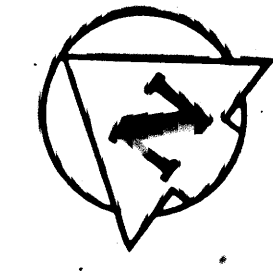


file # FM10115

1328

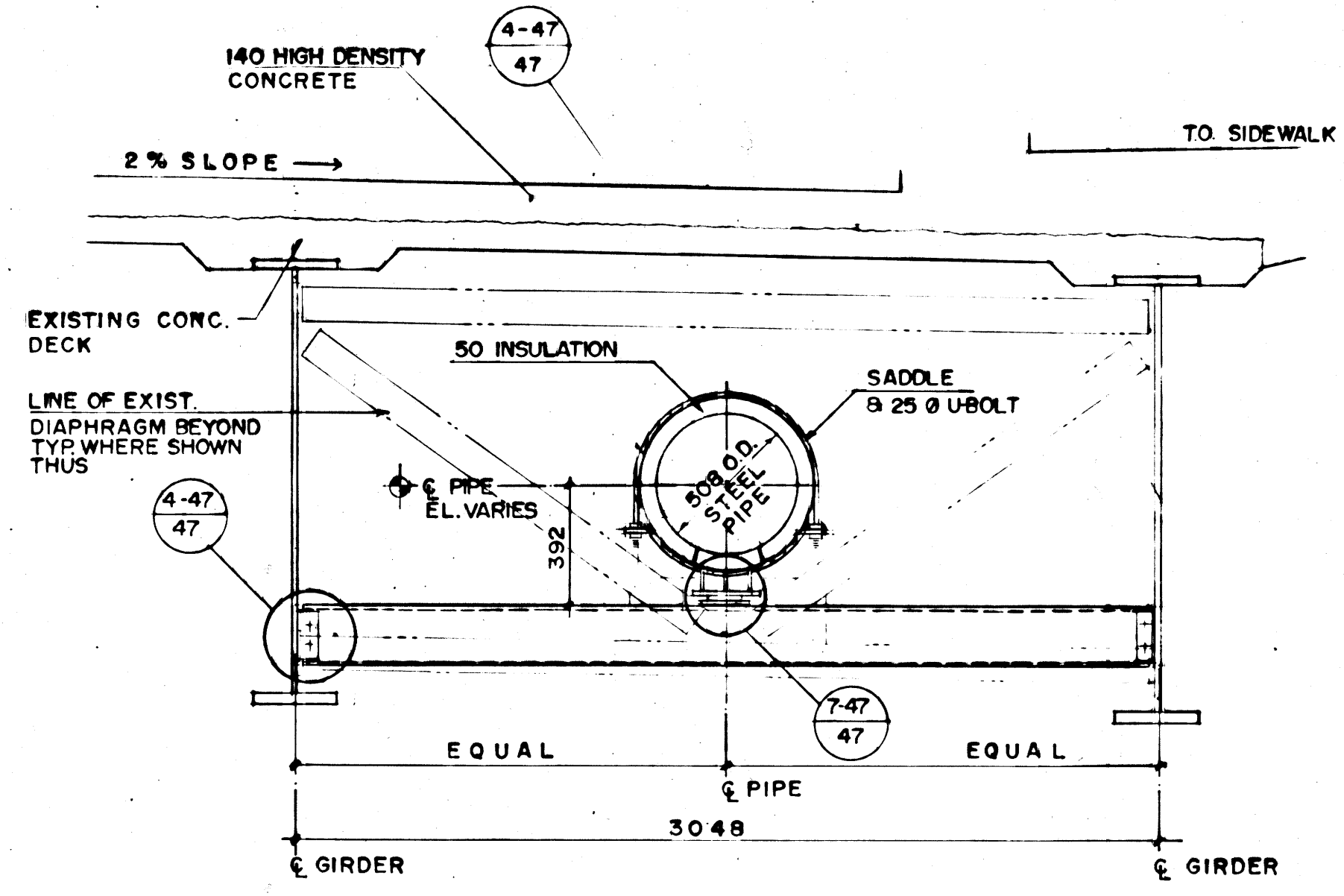
REF. or DRAWING NO.

DETAILS

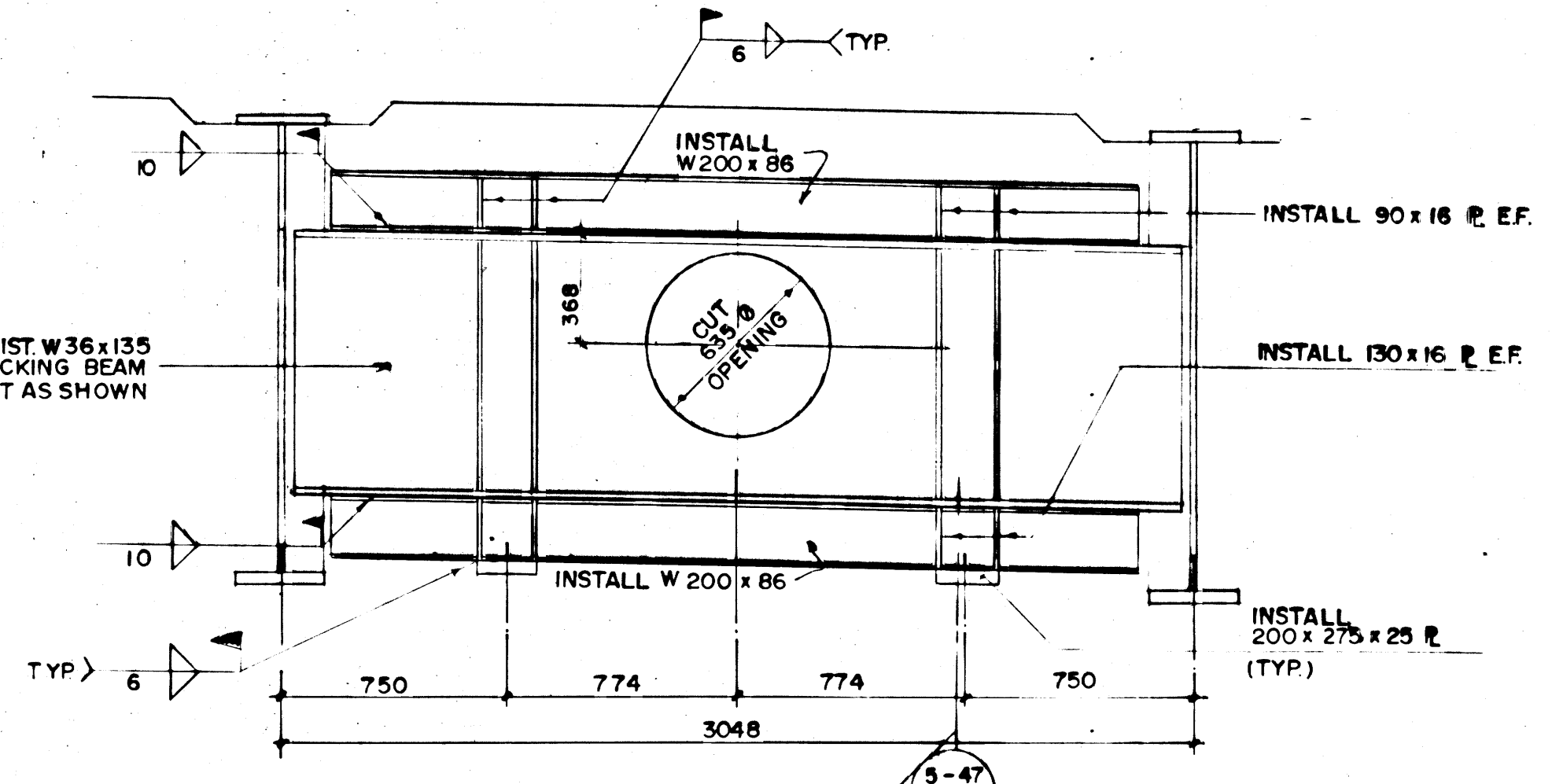


FOR EXTENSION OF AIR RELEASE VALVE AT PIER 7 SEE DRAWING 1351

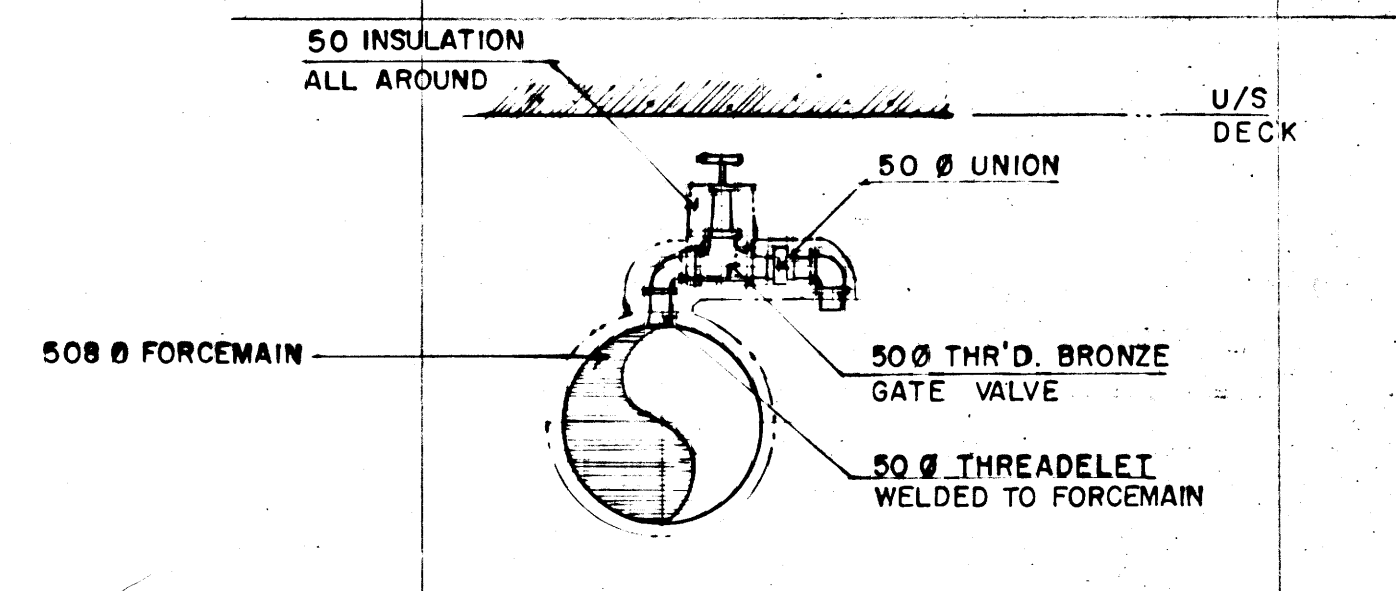
SEWAGE FORCEMAIN LAYOUT NORTHBOUND STRUCTURE SCALE 1:250



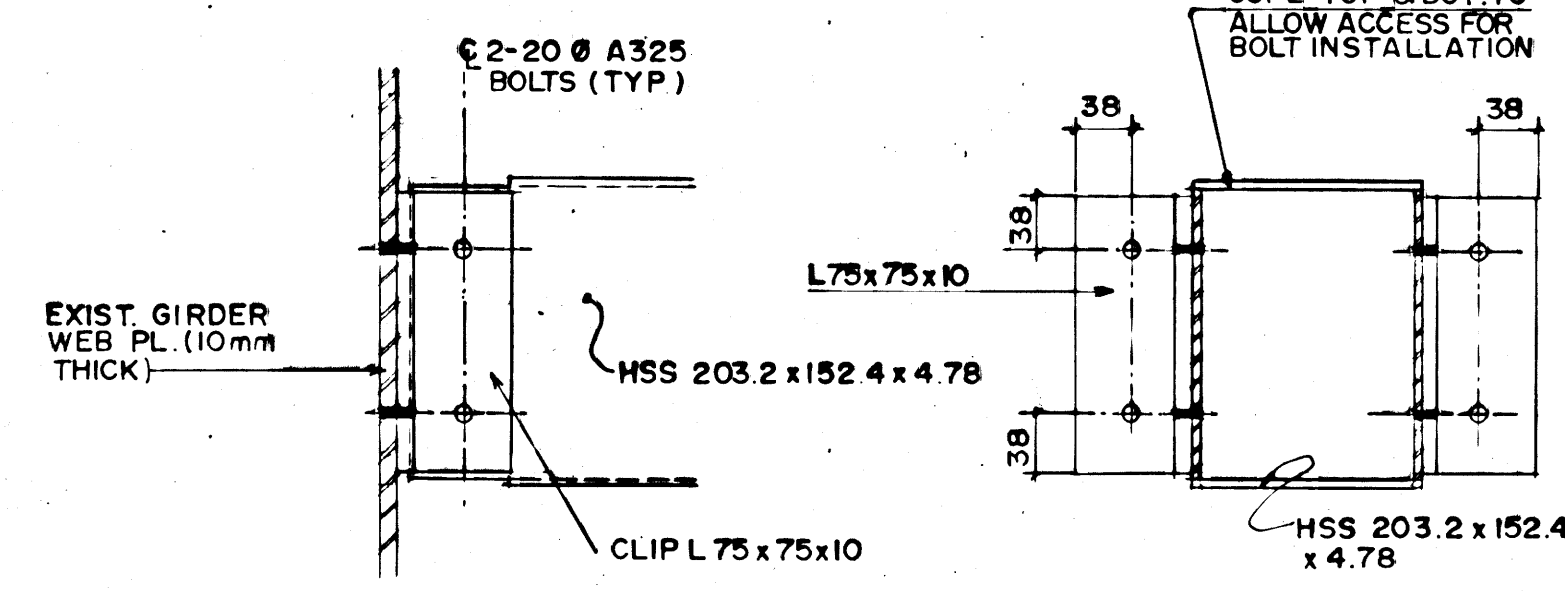
SECTION 1-47 SCALE 1:20



SECTION 2-47 TYPICAL AT PIERS 2 THRU 7 SCALE 1:20



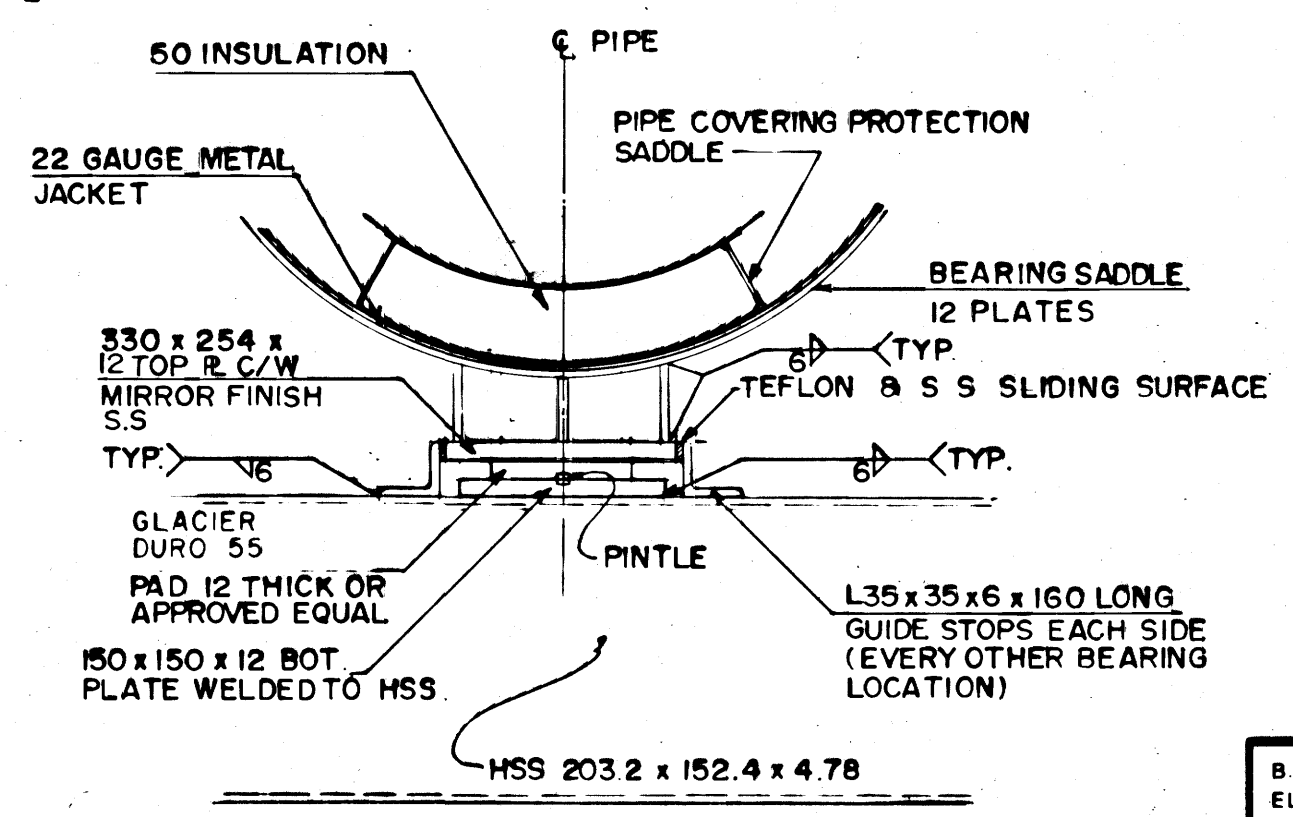
DETAIL 3-47 SCALE 1:20



ELEVATION

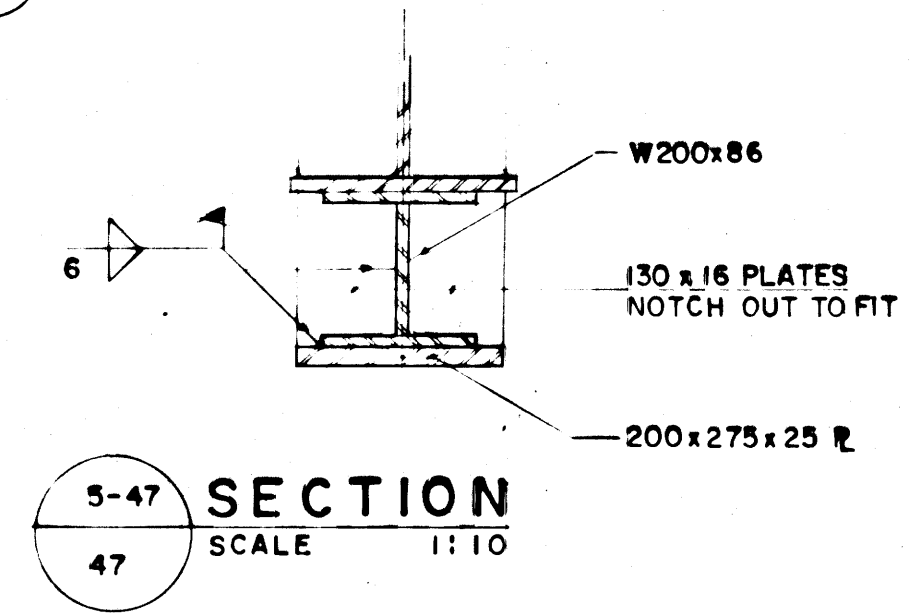
SECTION

DETAIL 4-47 SCALE 1:5



BEARING DETAIL 7-47 SCALE 1:5

NOTE: BEARINGS SUPPLIED BY WG BEARING INC. BURLINGTON ON. PROJECT NO. P1656-87



SECTION 5-47 SCALE 1:10

REID, CROWTHER & PARTNERS LIMITED WINNIPEG AS CONSTRUCTED DATE: 89-06-14

METRIC WHOLE NUMBERS INDICATE MILLIMETRES DECIMALIZED NUMBERS INDICATE METRES

Reid Crowther Reid Crowther & Partners Ltd. Engineers-Planners-Scientists		ENGINEER'S SEAL 	THE CITY OF WINNIPEG WORKS AND OPERATIONS DIVISION WATERWORKS, WASTE & DISPOSAL DEPT.
DESIGNED BY: B.E. DRAWN BY: R.C.S.	CHECKED BY: W.J.M. APPROVED BY:	ST. VITAL TWIN BRIDGE OVER RED RIVER STRUCTURE REHABILITATION AND RELATED WORKS	CITY DRAWING NUMBER: B116-88-47 SHEET: 47 OF 48
2 ADDED NOTE 06/92 EN 1 AS CONSTRUCTED 89-6-13 KFK	HOR. SCALE: AS SHOWN VERTICAL: AS SHOWN DATE: JAN. 88	BALTIMORE SEWAGE FORCEMAIN LAYOUT & DETAILS	CONSULTANT DRAWING NO. 61056-01 1328

file # FM10115 1328