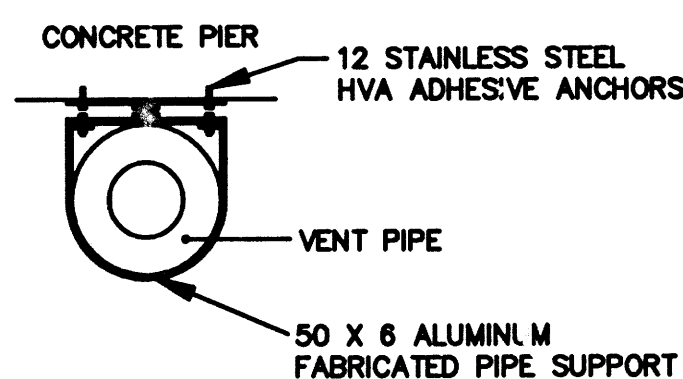
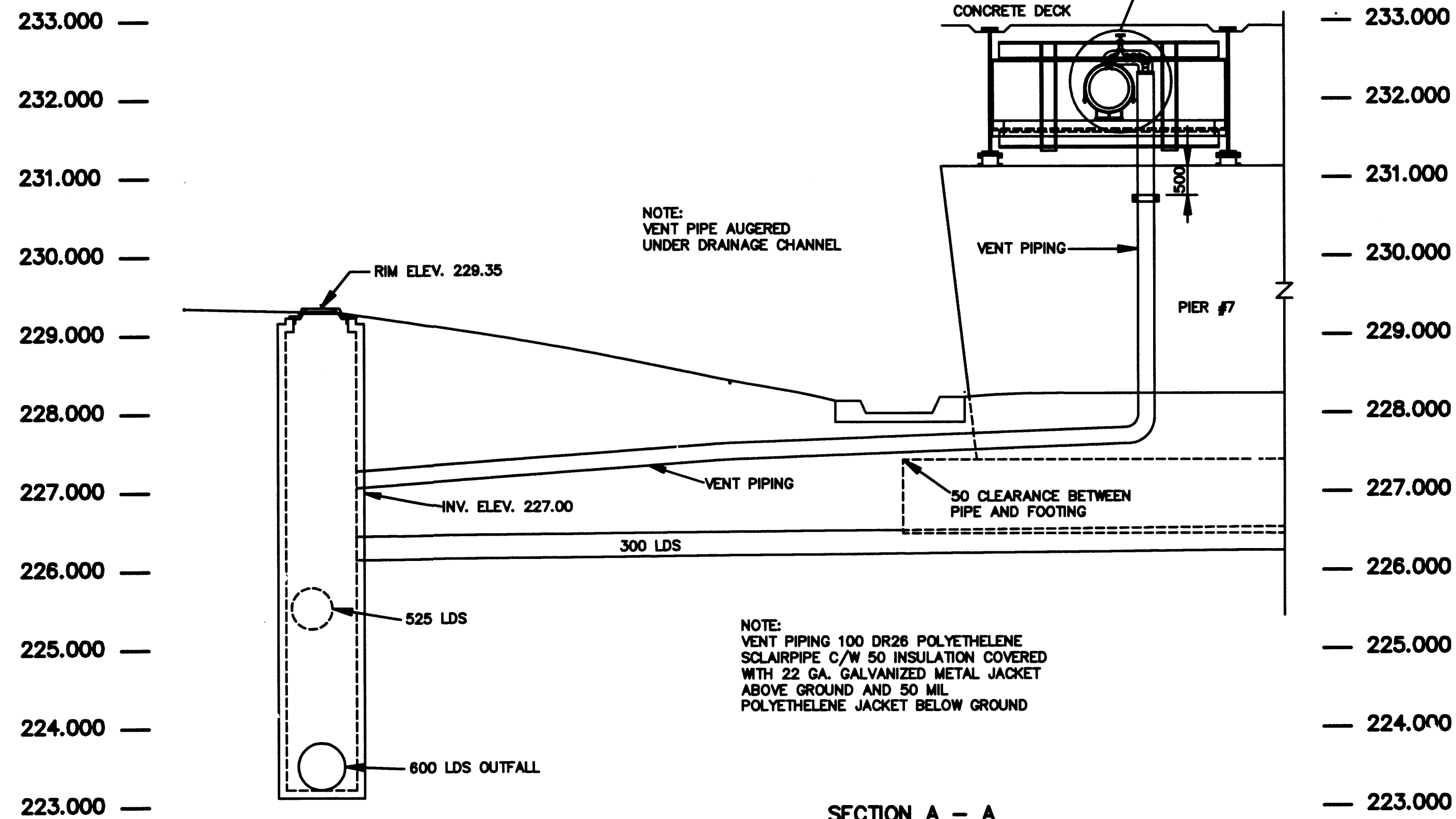


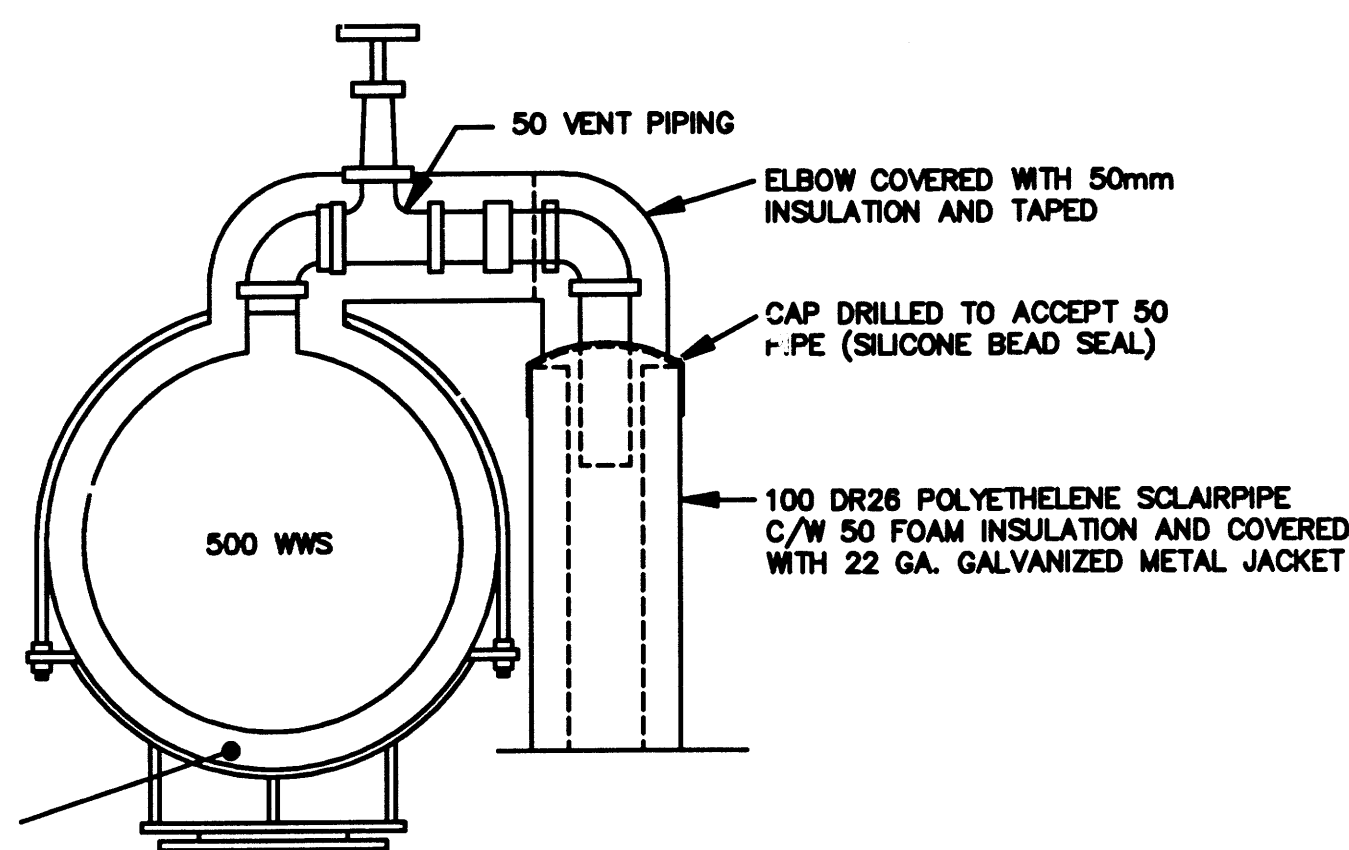
DETAIL
SCALE 1:30



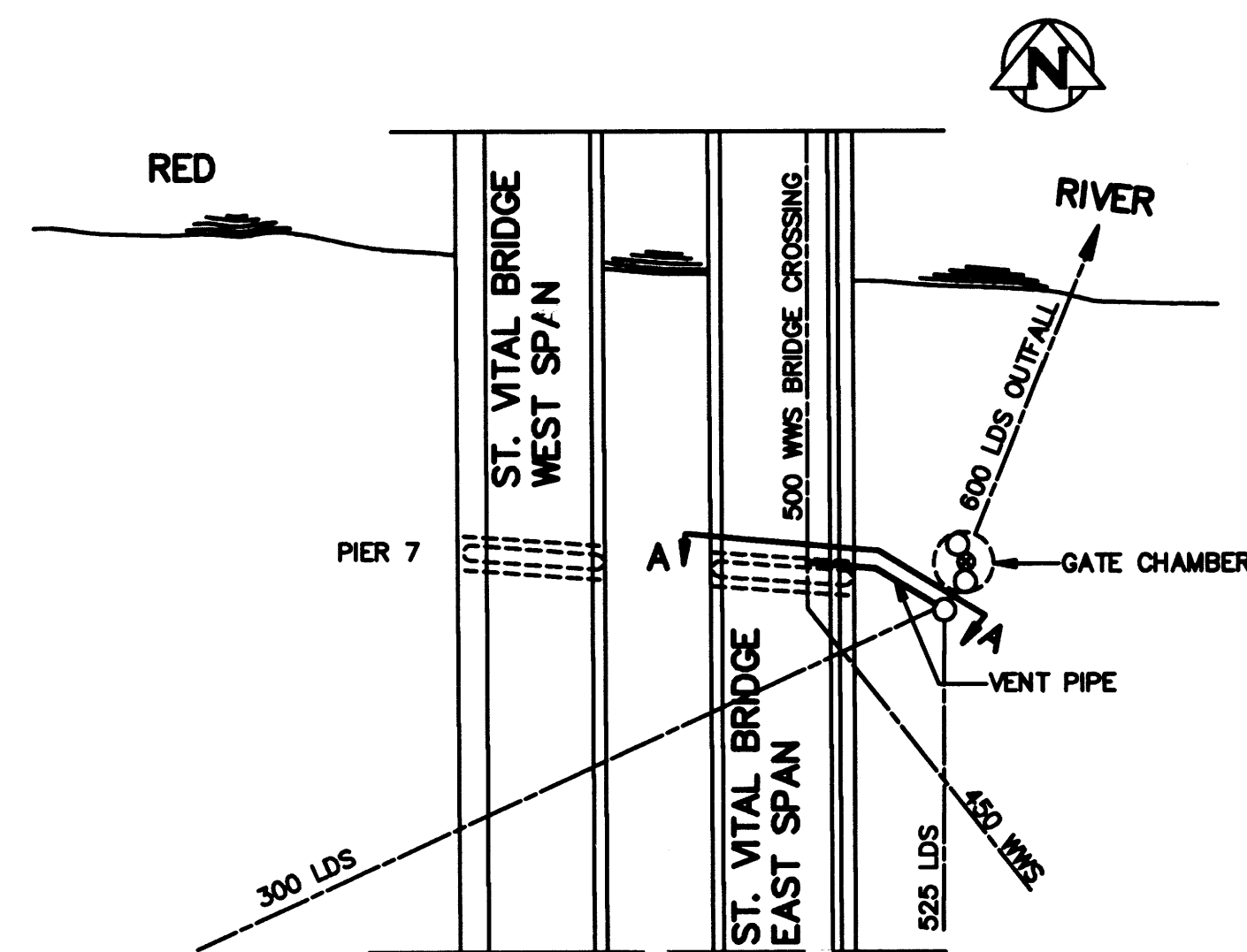
DETAIL "B"
SCALE 1:10



SECTION A - A
SCALE 1:50



DETAIL "A"
SCALE 1:10

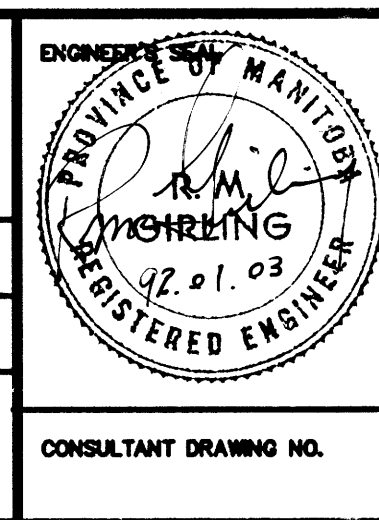


SITE PLAN
SCALE 1:500

AS-CONSTRUCTED
John E. ... 92.02.28
 INSPECTION / SURVEY TECHNICAL SERVICES DATE
 WATERWORKS, WASTE & DISPOSAL DEPARTMENT

NO.	REVISIONS	DATE	BY
1	REVISED TO "AS BUILT"	06/92	EN

DESIGNED BY	JE	CHECKED BY	JE
DRAWN BY	EN	APPROVED BY	<i>R. ...</i>
HOR. SCALE	AS NOTED	RELEASED FOR CONSTRUCTION	<i>R. ...</i>
DATE	OCTOBER 1991	DATE	92.01.03



THE CITY OF WINNIPEG
 WORKS AND OPERATIONS DIVISION
 WATERWORKS WASTE AND DISPOSAL DEPARTMENT

BALTIMORE FORCEMAIN
 VENT PIPING AT PIER 7
 ST. VITAL BRIDGE

SHEET 1 OF 1
 CITY DRAWING NUMBER
1351

file # F1117