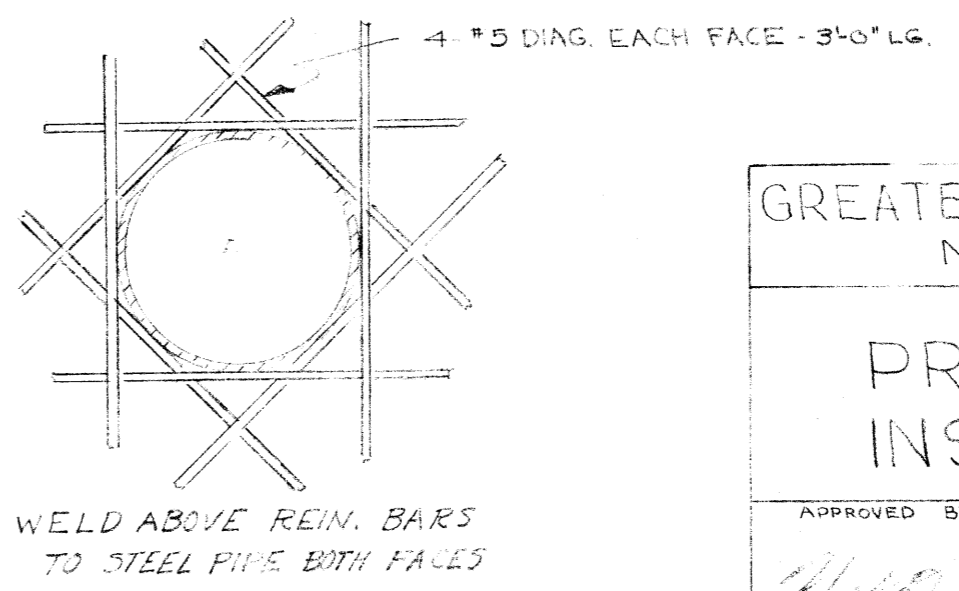
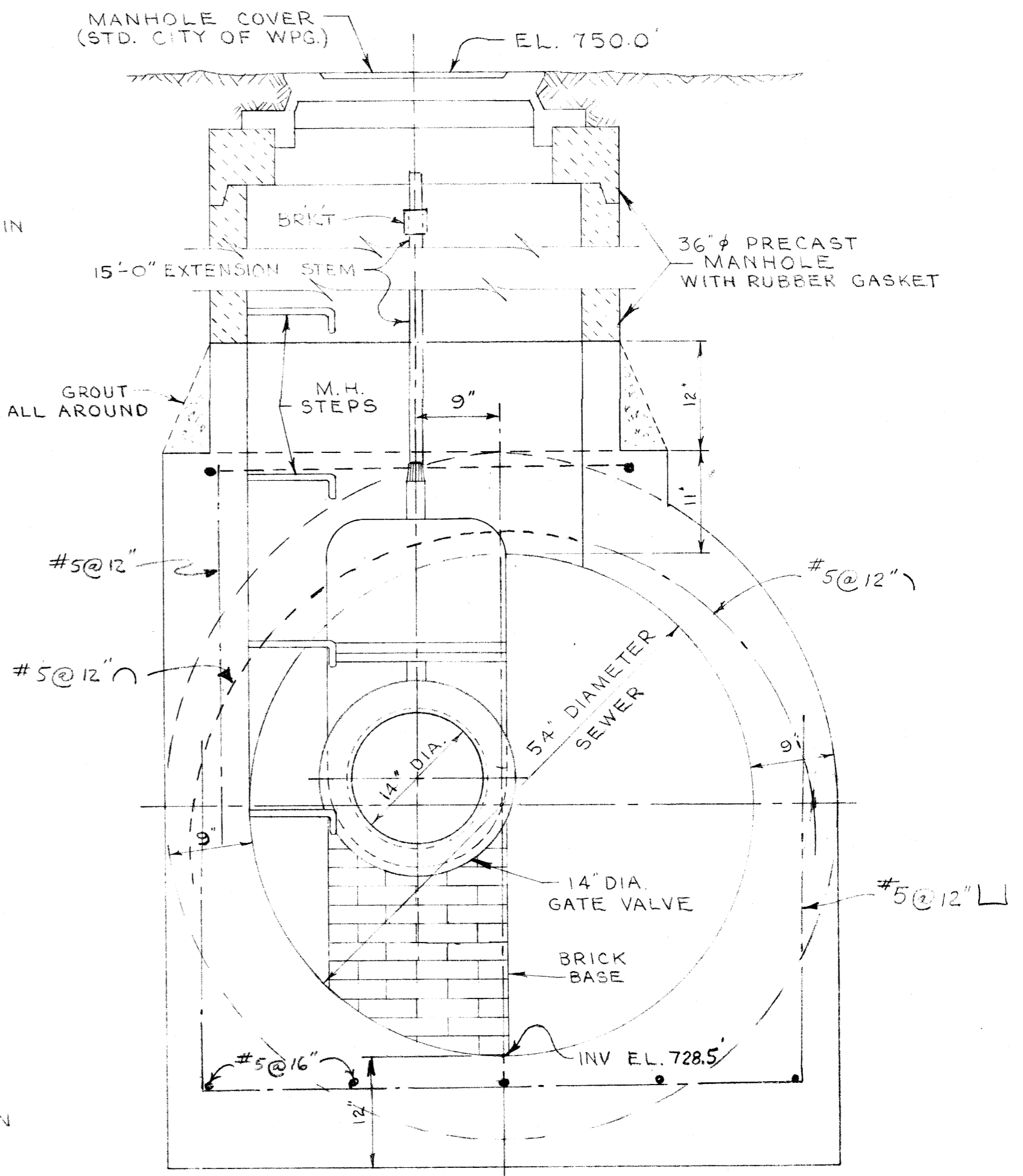
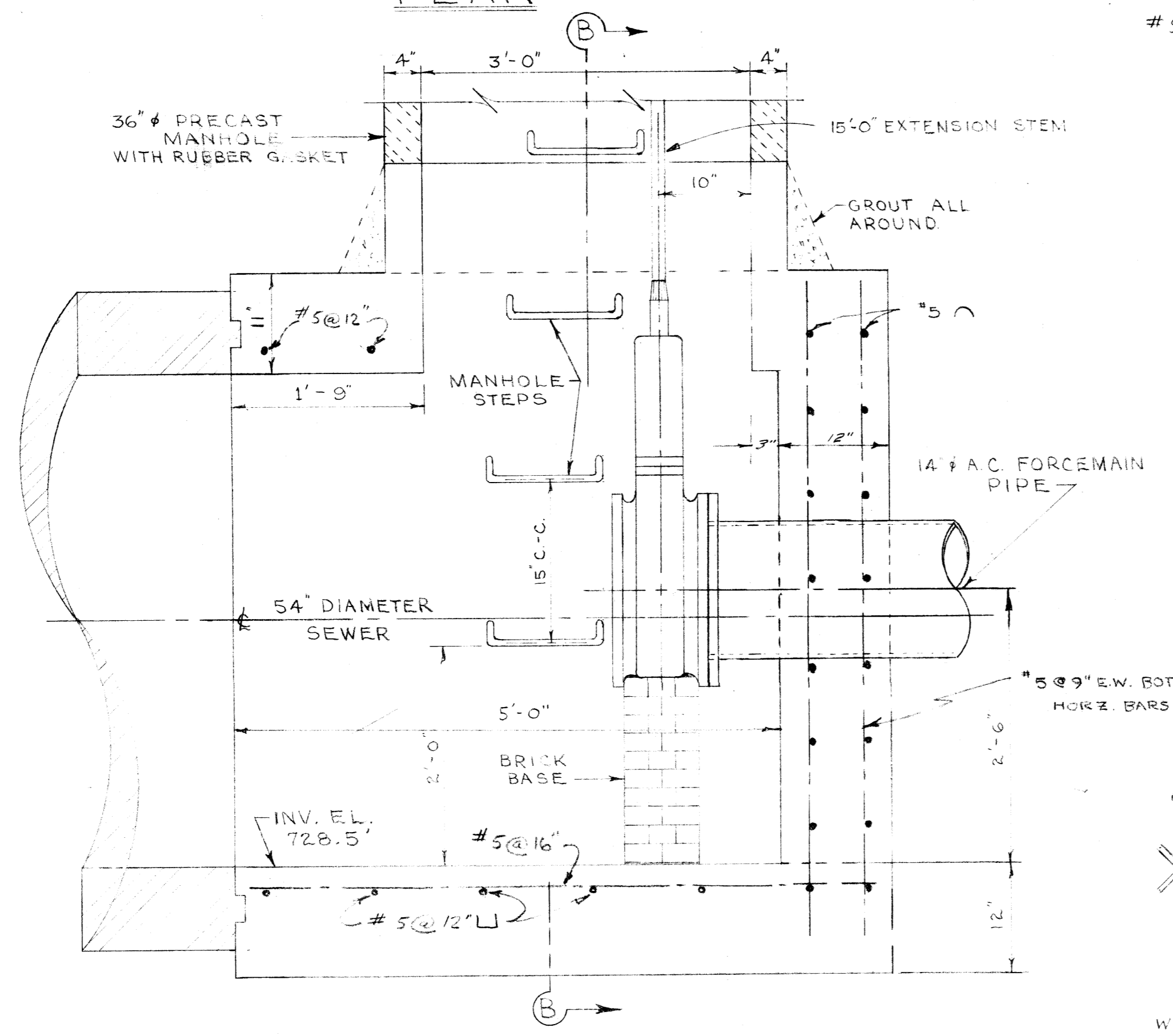
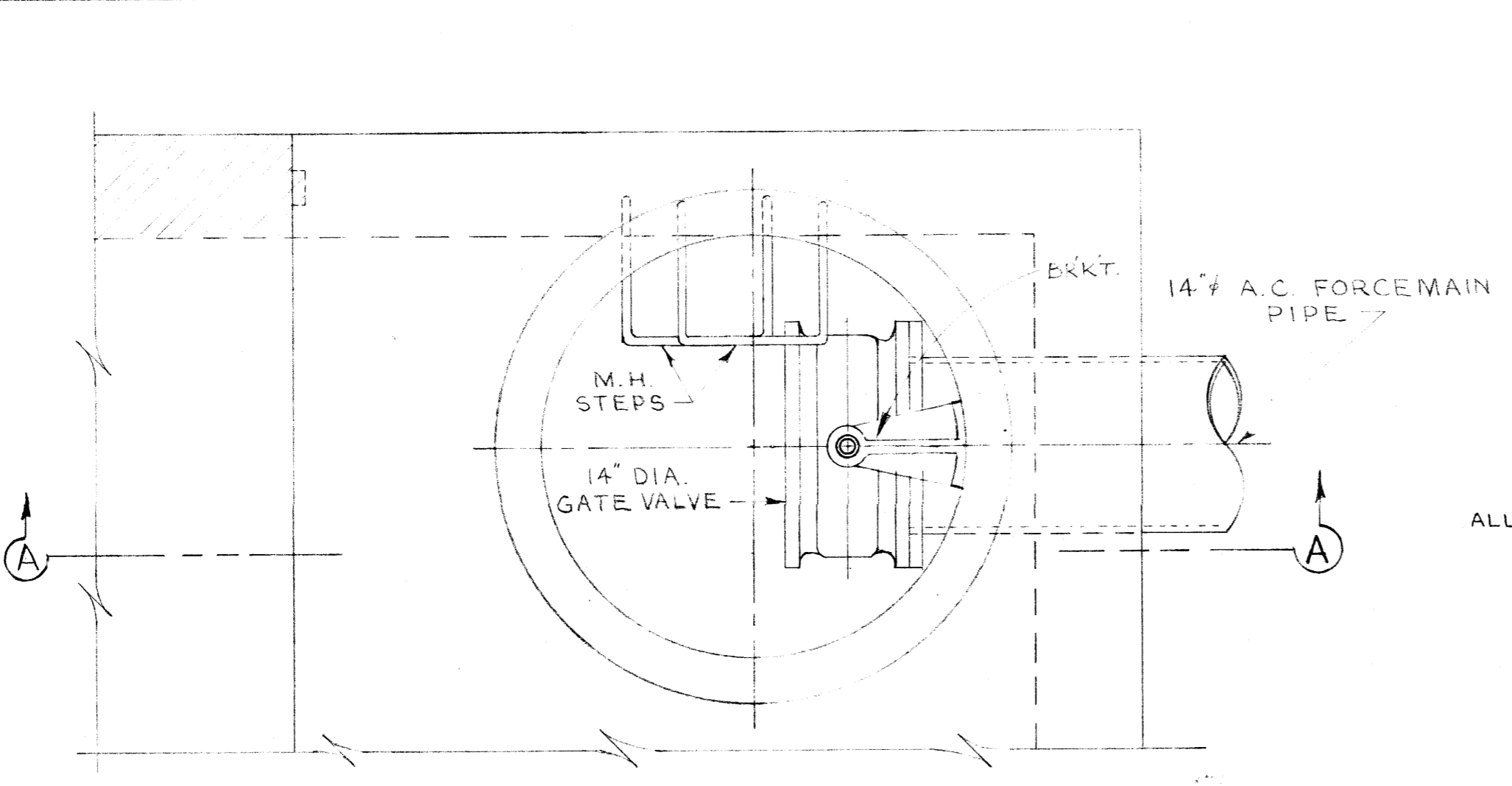


File # 2210076

328

REF. OF DRAWING NO.

DETAILS



Micro-Filmed 1965

GREATER WINNIPEG SANITARY DISTRICT NEWTON AVE. SECONDARY			
TITLE			
PROPOSED VALVE INSTALLATION - SCHEME #1			
APPROVED BY <i>[Signature]</i> CHIEF ENGINEER	DESIGNED BY C.F.S. DRAWN BY S.K.	CHECKED BY H.D. DATE 11 FEB. 60	DRAWING NO. 328
SCALE 1" INCH = 1'-0" FT.			