

LEGEND

WATERWORKS, WASTE AND DISPOSAL; UNDERGROUND UTILITIES

PROPOSED FORCEMAIN, INTERCEPTOR OR SECONDARY SEWER ————

EXISTING FORCEMAIN, INTERCEPTOR OR SECONDARY SEWER ———— W.W.D. 24" SEWER

PROPOSED FEEDERMAIN ————

EXISTING FEEDERMAIN ———— W.W.D. 24" W.M.

W.W.D. — WATERWORKS, WASTE AND DISPOSAL

OTHER UNDERGROUND UTILITIES

COMMUNITY SEWER ————

COMMUNITY WATERMAIN ————

GAS ————

HYDRO DUCT ————

M.T.S. DUCT OR CABLE ————

STREET LIGHTING, RAILWAY SIGNAL OR TRAFFIC SIGNAL CABLE ————

SURFACE UTILITIES

COMMUNITY BOUNDARY LINE ————

FENCE LINE ———— X ———— X

POLE LINE ———— ○ ○ ○ ○ ○

RAILWAY LINE ————

MISCELLANEOUS SYMBOLS

CATCH BASIN — ○

CULVERT — ————

HYDRANT — ————

MANHOLE — ○

HYDRO OR M.T.S. POLE — ————

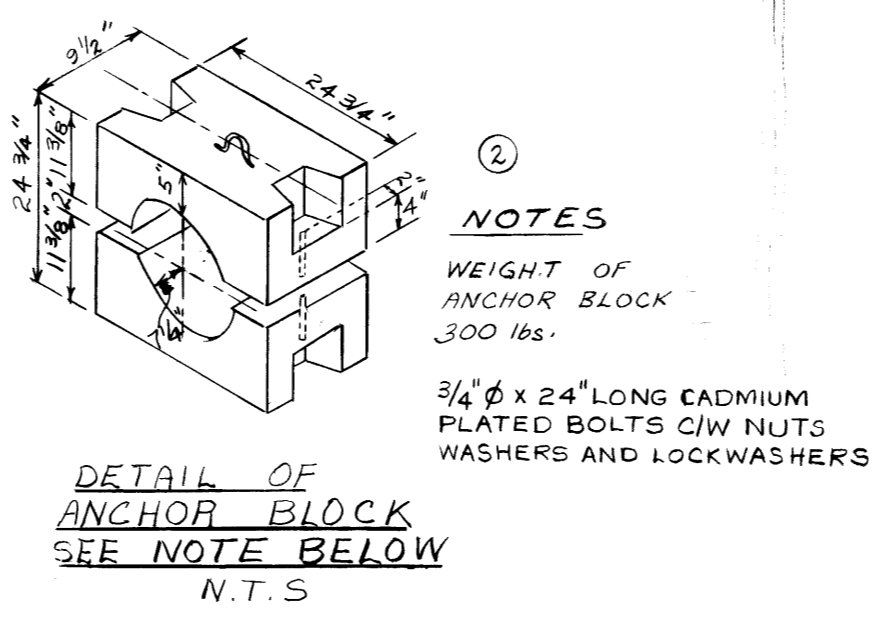
LAMP STANDARD — ————

RAILWAY OR TRAFFIC SIGNAL STANDARD — ————

SURVEY BAR — ————

TREE — ————

VALVE — ————



NOTES

- RIVER CROSSING X-SECTION REMOVED
- ANCHOR BLOCK DIM. CHANGED, NOTE ADDED
- SITE PLAN REVISED
- NOTE - PIPE ALIGNMENT
- SUMMER WATER LEVEL ADDED
- SERIES 80 CHANGED TO 60
- REVISED TO AS BUILT

NO.	DESCRIPTION	DATE	BY
1	RIVER CROSSING X-SECTION REMOVED	OCT 5 77	VD
2	ANCHOR BLOCK DIM. CHANGED, NOTE ADDED	OCT 6 77	VD
3	SITE PLAN REVISED	OCT 6 77	VD
4	NOTE - PIPE ALIGNMENT	OCT 6 77	VD
5	SUMMER WATER LEVEL ADDED	OCT 6 77	VD
6	SERIES 80 CHANGED TO 60	OCT 6 77	VD
7	REVISED TO AS BUILT	AUG 18 78	VD

REVISIONS

FIELD BOOK(S) NO. F 972	SURVEYED BY R. THPLIN
LAND SURVEY PLAN(S) NO.	DATE Nov. 1, 1976
B. M. GEO. B. N. 12-005	

The City of Winnipeg
Waterworks, Waste and Disposal Division

ENGINEERING BRANCH
WASTE DISPOSAL

NEWTON RIVER X-ING
PLAN PROFILE

DESIGNED BY B. BRICK	DRAWN BY V. DUMORE
CHECKED BY [Signature]	DATE JUNE 1977
APPROVED BY [Signature]	
SCALE HOR. 1" = 40' VERT. 1" = 4'	DRAWING NO. 911

file # MS 10641

MICROFILMED, MAY 11 1985