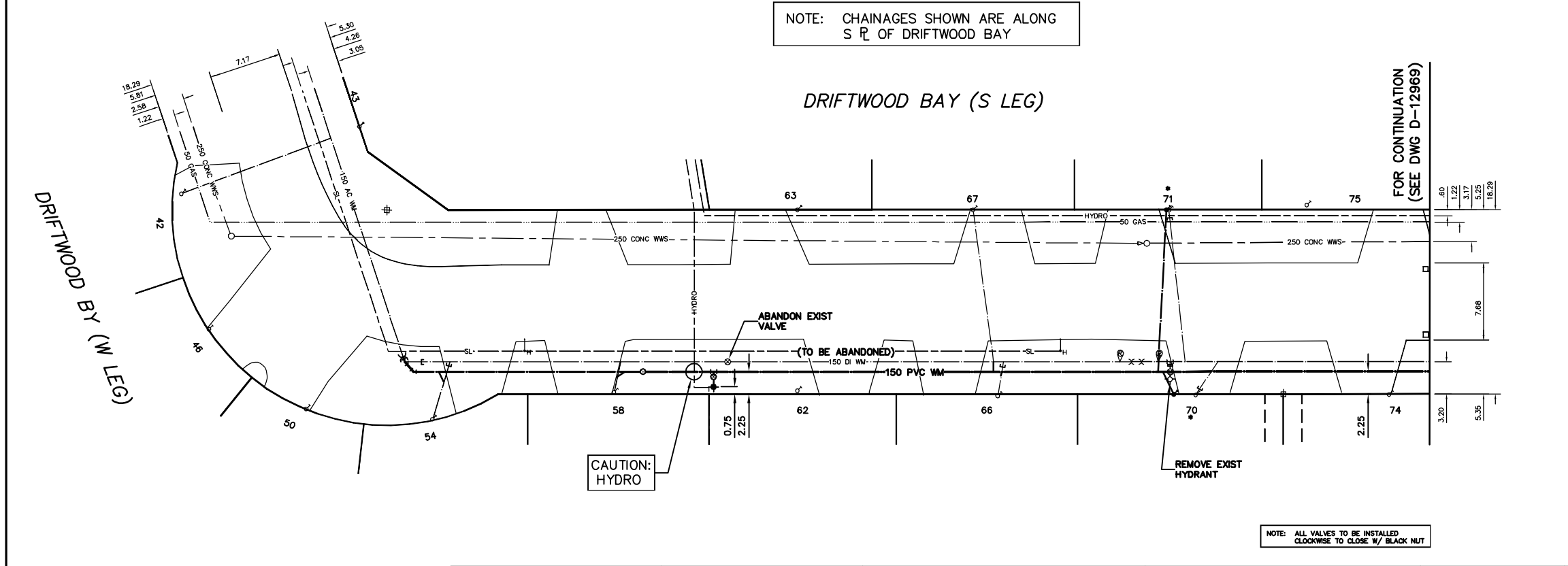


NOTE: CHAINAGES SHOWN ARE ALONG S LEG OF DRIFTWOOD BAY

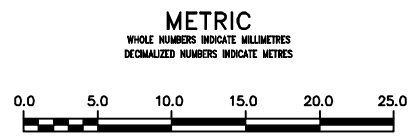


WATER SERVICE INFORMATION

ADDRESS	SIZE (mm)	SIZE (mm) SHORT & LONG	CORP. LOCATION	REMARKS
42 DRIFTWOOD BAY RESIDENTIAL	20	0.66 N OF S HL	OPP OF S/C	-
43 DRIFTWOOD BAY RESIDENTIAL	20	2.33 N OF S HL	-	-
46 DRIFTWOOD BAY RESIDENTIAL	20	8.71 NNL DRIFTWOOD (S-LEG)	-	-
50 DRIFTWOOD BAY RESIDENTIAL	20	2.31 SNL DRIFTWOOD (S-LEG)	-	-
54 DRIFTWOOD BAY RESIDENTIAL	20	2.28 E OF W HL	-	-
58 DRIFTWOOD BAY RESIDENTIAL	20	1.44 SSL DRIFTWOOD (S-LEG)	-	-
62 DRIFTWOOD BAY RESIDENTIAL	20	5.28 E OF W HL	1.7 E OF S/C	-
63 DRIFTWOOD BAY RESIDENTIAL	20	2.12 WEL DRIFTWOOD (W-LEG)	-	-
67 DRIFTWOOD BAY RESIDENTIAL	20	8.66 W OF E HL	0.7 E OF S/C	-
70 DRIFTWOOD BAY RESIDENTIAL	20	139.95 WEL QUEENSWAY	-	-
71 DRIFTWOOD BAY RESIDENTIAL	20	6.38 E OF W HL	-	-
74 DRIFTWOOD BAY RESIDENTIAL	20	116.68 WEL QUEENSWAY	-	-
75 DRIFTWOOD BAY RESIDENTIAL	20	7.28 E OF W HL	-	-
76 DRIFTWOOD BAY RESIDENTIAL	20	121.64 WEL QUEENSWAY	-	-
77 DRIFTWOOD BAY RESIDENTIAL	20	7.47 E OF E HL	0.5 E OF S/C	-
78 DRIFTWOOD BAY RESIDENTIAL	20	96.77 WEL QUEENSWAY	-	-
79 DRIFTWOOD BAY RESIDENTIAL	20	7.43 E OF E HL	2.1 E OF S/C	-
80 DRIFTWOOD BAY RESIDENTIAL	20	104.20 WEL QUEENSWAY	-	-
81 DRIFTWOOD BAY RESIDENTIAL	20	5.24 W OF E HL	2.2 E OF S/C	-
82 DRIFTWOOD BAY RESIDENTIAL	20	84.72 WEL QUEENSWAY	-	-
83 DRIFTWOOD BAY RESIDENTIAL	20	8.73 W OF E HL	1.6 E OF S/C	-
84 DRIFTWOOD BAY RESIDENTIAL	20	84.72 WEL QUEENSWAY	-	-
85 DRIFTWOOD BAY RESIDENTIAL	20	9.15 W OF E HL	-	-
86 DRIFTWOOD BAY RESIDENTIAL	20	62.94 WEL QUEENSWAY	-	-
87 DRIFTWOOD BAY RESIDENTIAL	20	13.77 W OF E HL	-	-
88 DRIFTWOOD BAY RESIDENTIAL	20	71.06 WEL QUEENSWAY	-	-
89 DRIFTWOOD BAY RESIDENTIAL	20	6.89 E OF W HL	-	-
90 DRIFTWOOD BAY RESIDENTIAL	20	43.54 WEL QUEENSWAY	-	-
91 DRIFTWOOD BAY RESIDENTIAL	20	7.22 E OF W HL	OPP OF S/C	-
92 DRIFTWOOD BAY RESIDENTIAL	20	45.20 WEL QUEENSWAY	-	-
93 DRIFTWOOD BAY RESIDENTIAL	20	8.43 E OF W HL	-	-
94 DRIFTWOOD BAY RESIDENTIAL	20	23.48 WEL QUEENSWAY	-	-
95 DRIFTWOOD BAY RESIDENTIAL	20	1.85 E OF W HL	1.0 E OF S/C	-
96 DRIFTWOOD BAY RESIDENTIAL	20	32.07 WEL QUEENSWAY	-	-
97 DRIFTWOOD BAY RESIDENTIAL	20	5.94 E OF W HL	-	-
98 DRIFTWOOD BAY RESIDENTIAL	20	6.28 WEL QUEENSWAY	-	-
99 DRIFTWOOD BAY RESIDENTIAL	20	4.61 W OF E HL	2.5 E OF S/C	-
100 DRIFTWOOD BAY RESIDENTIAL	20	5.82 WEL QUEENSWAY	-	-
101 DRIFTWOOD BAY RESIDENTIAL	20	7.63 E OF W HL	-	-
102 DRIFTWOOD BAY RESIDENTIAL	20	13.07 WEL QUEENSWAY	-	-
103 DRIFTWOOD BAY RESIDENTIAL	20	7.99 E OF W HL	-	-
104 DRIFTWOOD BAY RESIDENTIAL	20	13.95 WEL QUEENSWAY	-	-
105 DRIFTWOOD BAY RESIDENTIAL	20	4.68 E OF W HL	-	-
106 DRIFTWOOD BAY RESIDENTIAL	20	31.37 WEL QUEENSWAY	-	-
107 DRIFTWOOD BAY RESIDENTIAL	20	6.34 E OF W HL	2.2 E OF S/C	-
108 DRIFTWOOD BAY RESIDENTIAL	20	50.92 WEL QUEENSWAY	-	-

* SERVICES TO BE RENEWED TO PL. ALL OTHERS TO BE RECONNECTED

NOTE: ALL VALVES TO BE INSTALLED CLOCKWISE TO CLOSE W/ BLACK NUT



WARNING
IF POWER EQUIPMENT OR EXPLOSIVES ARE TO BE USED FOR EXCAVATION ON THIS PROJECT THE CONTRACTOR MUST:
1) NOTIFY THE GAS COMPANY OF THE PROPOSED LOCATION OF EXCAVATION.
2) TAKE PRECAUTION TO AVOID DAMAGE TO GAS COMPANY INSTALLATIONS.
SEE PROVINCIAL REGULATION 21072 FOR DETAILS

LOCATION APPROVED UNDERGROUND STRUCTURES
SUPV. U/G STRUCTURES COMMITTEE DATE
NOTE: LOCATION OF UNDERGROUND STRUCTURES AS SHOWN ARE BASED ON THE BEST INFORMATION AVAILABLE BUT NO GUARANTEE IS GIVEN THAT ALL EXISTING UTILITIES ARE SHOWN OR THAT THE GIVEN LOCATIONS ARE EXACT. CONFIRMATION OF EXISTENCE AND EXACT LOCATION OF ALL SERVICES MUST BE OBTAINED FROM THE INDIVIDUAL UTILITIES BEFORE PROCEEDING WITH CONSTRUCTION.

NO.	REVISIONS	DATE	BY

DESIGNED BY	RL	CHECKED BY	SC
DRAWN BY	RS/CJH	APPROVED BY	KZ
SCALE:		RELEASED FOR CONSTRUCTION	
HORIZONTAL	1:250		
VERTICAL	1:50		
		K.R. ZUREK	
		DATE	APRIL 30, 2012

ENGINEER'S SEAL
ORIGINAL SIGNED BY S.R.J. COURNOYER 12-04-30
CONSULTANT DRAWING NUMBER

THE CITY OF WINNIPEG
Winnipeg
WATER AND WASTE DEPARTMENT
ENGINEERING DIVISION
2012 WATERMAIN RENEWALS
DRIFTWOOD BAY (S LEG)
DRIFTWOOD BAY (W LEG) TO 59 W OF QUEENSWAY CRESCENT (E LEG)
SHEET 9 OF 14
CITY DRAWING NUMBER D-12968