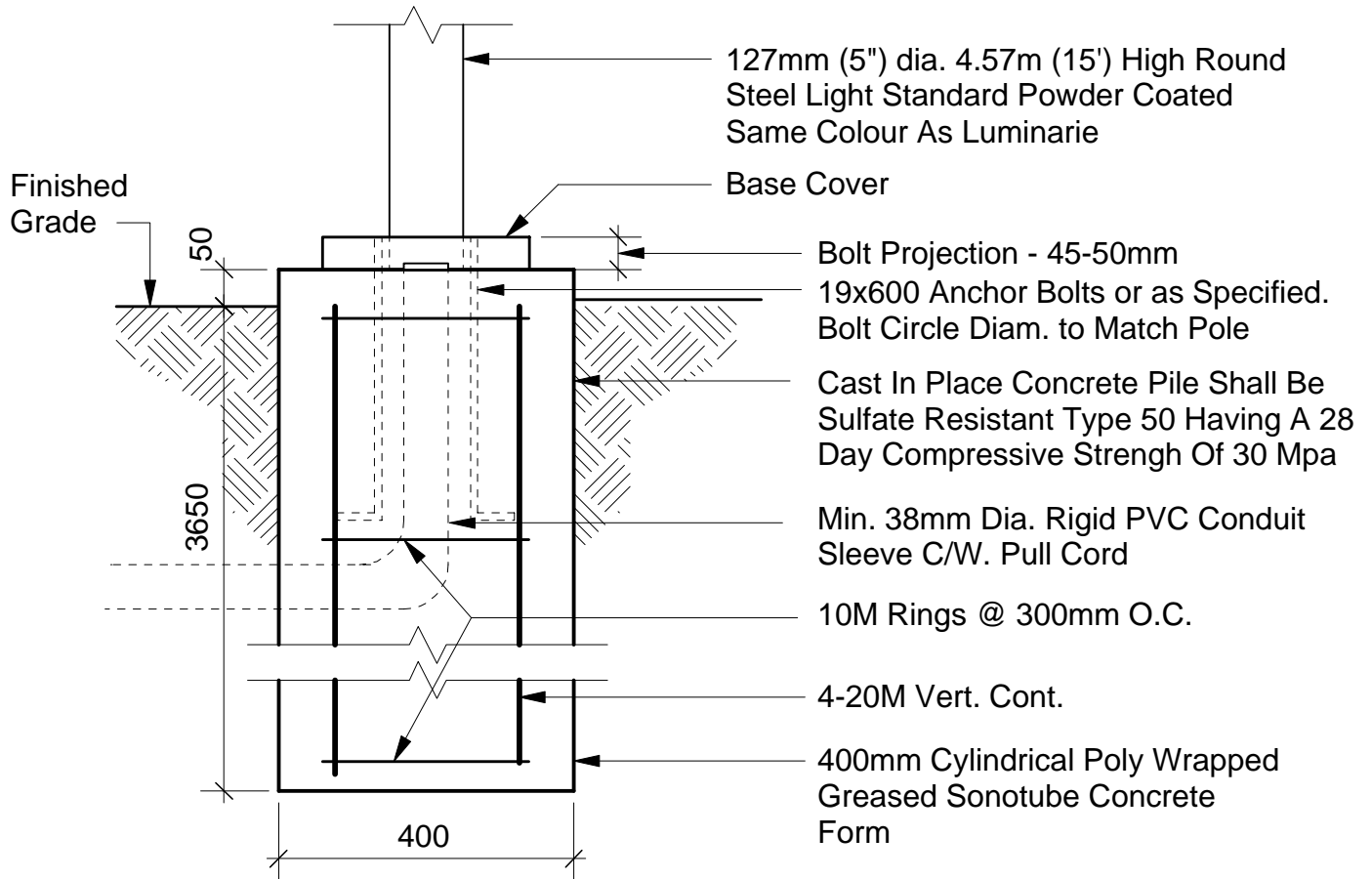


Drawing Title:

PARK LIGHT BASE DETAIL

Drawing No:

SCD-652



LIGHT STANDARD
BASE DETAIL

DIMENSIONS SHOWN ARE IN MILLIMETRES UNLESS OTHERWISE SPECIFIED

REVISION: 1
DATE: January 12, 2012
SCALE: N.T.S.
DRAWN BY: SP

The City of Winnipeg
Planning, Property and Development Department
Planning and Land Use Division
Unit 15 - 30 Fort Street, Winnipeg, MB, R3C 4X5

