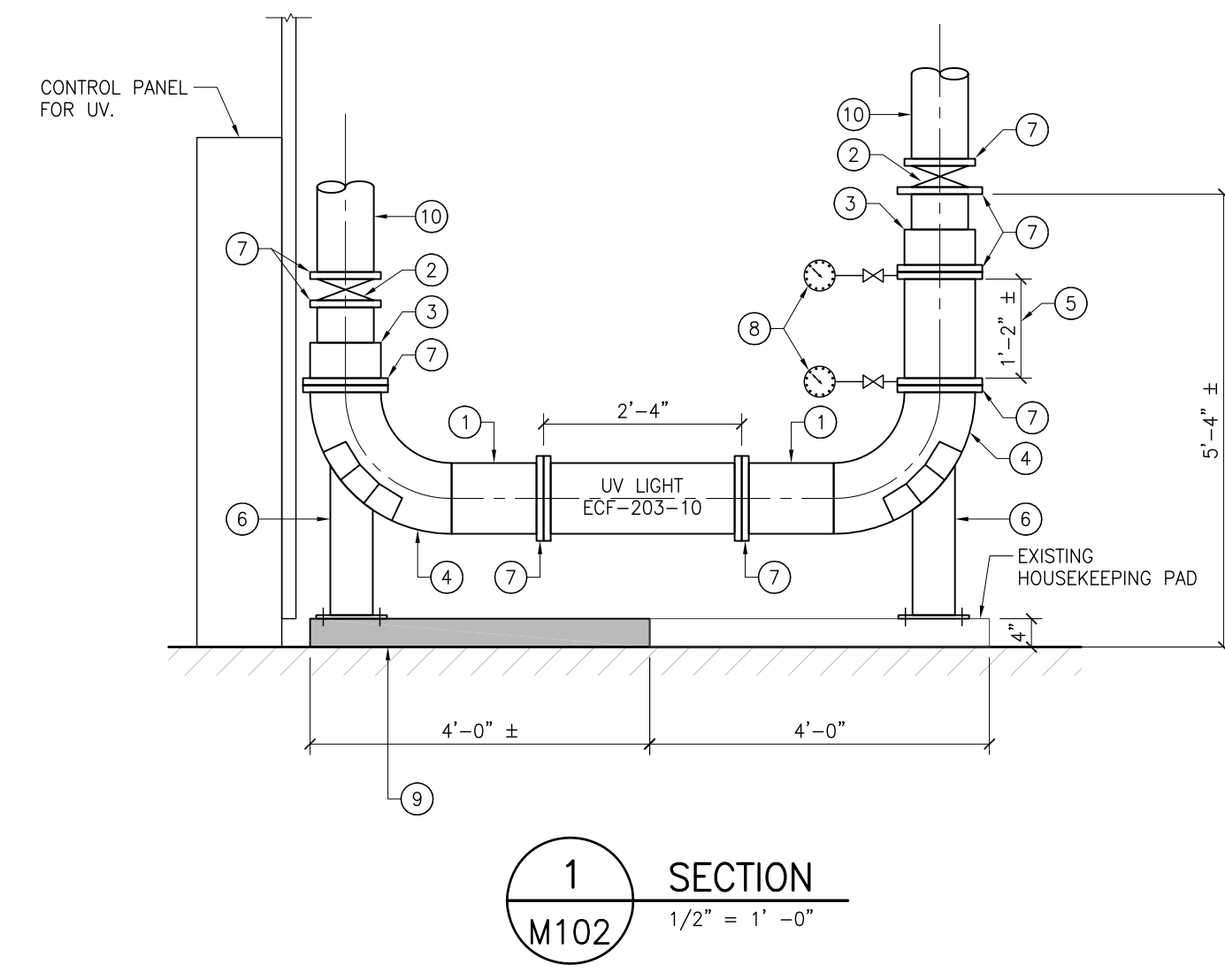


B
M102
NEW FLOOR PLAN
MECHANICAL ROOM EAST
1/4" = 1' -0"

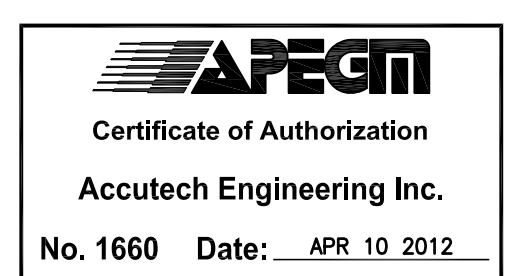
CONSTRUCTION KEYNOTES:

- 1 CONNECT 1 1/2" PIPING TO/FROM EXISTING CHLORINE SKID.
- 2 NEW ANSI 150 PVC FLANGE SET. PROVIDE TYPE 316 S/S FASTENERS AND GARLOCK 3545 GASKET.
- 3 EXISTING CONCRETE PAD. MOUNT UV LIGHT APPROXIMATE 12" ABOVE PAD.
- 4 SCH 80 PVC TEE.
- 5 NEW 8" PVC PIPING AND FITTINGS.
- 6 8" DIA. ANSI 150 FLANGE LUG BODY HIGH PERFORMANCE BUTTERFLY VALVE BRAY SERIES 41 C/W O66 TRIM AND MANUAL GEAR OPERATOR.
- 7 8" DIA. SCH 80 PVC PIPE AND SOCKET TYPE FITTINGS.
- 8 RELOCATED PIPING AND FITTINGS.
- 9 EXTEND 4" HIGH CONCRETE HOUSEKEEPING PAD AS NOTED, 3'-0" WIDE.
- 10 INFILL EXISTING HOLE IN HOUSEKEEPING PAD WITH CONCRETE.
- 11 INSTALL CONTROL PANEL WITH FLOOR TO CEILING UNISTRUT AND CROSS MEMBERS. BRACE AND SUPPORT FOR A VERY SECURE INSTALLATION. CONFIRM MOUNTING HEIGHT WITH USER GROUP.



SECTION DETAIL KEYNOTES:

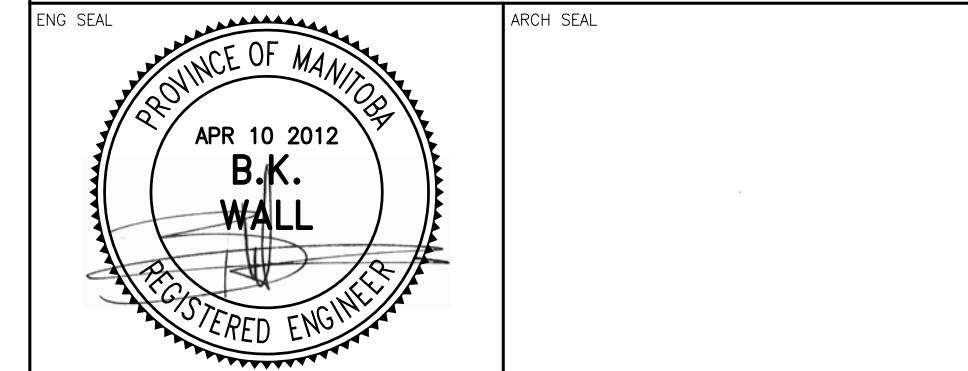
- 1 10" SCH 80 PVC PIPE.
- 2 8" DIA. ANSI 150 FLANGE LUG BODY HIGH PERFORMANCE BUTTERFLY VALVE BRAY SERIES 41 C/W O66 TRIM AND MANUAL GEAR OPERATOR.
- 3 8"x10" SCH 80 PVC REDUCER BUSHING AND PIPE AS REQUIRED.
- 4 10"x90" SCH 80 PVC ELBOW.
- 5 10" SCH 10S S/S SPOOL PIECE. LENGTH TO SUIT UV STRAINER BASKET, C/W ANSI 150 S/S FLANGES DRILL AND TAP FOR ITEM 8. PROVIDE FLANGES WITH FASTENERS AND GASKETS AS NOTED IN ITEM 7.
- 6 PIPING SUPPORT BY CONTRACTOR.
- 7 ANSI 150 FLANGES. PVC SIZE AS REQUIRED C/W TYPE 316 S/S FASTENER SETS. USE 1/8" THICK RING TYPE GASKETS, GARLOCK 3545.
- 8 1/4" SCH 40S S/S PIPE NIPPLE C/W ISOLATION BALL VALVE AND COMPOUND PRESSURE GAUGE. DRILL AND TAP EDGE OF FLANGE FOR PRESSURE GAUGE.
- 9 EXTEND 4" HIGH CONCRETE HOUSEKEEPING PAD AS NOTED, 3'-0" WIDE.
- 10 8" SCH 80 PVC PIPE.



7				
6				
5				
4				
3				
2				
1				
0	ISSUED FOR TENDER	VCV	BKW	APR 10 2012
REV	DESCRIPTION	DWN	APP	REV DATE

Accutech Engineering Inc.
Tomorrow's Technology Today

605-287 Broadway, Winnipeg, Manitoba Canada R3C 0R9
Phone 204.944.1555 Fax 204.944.1444
www.accutech.ca



CITY OF WINNIPEG			
PAN AM POOL UV PIPING			
PROJECT			
SHEET TITLE			
MECHANICAL ROOM EAST NEW FLOOR PLAN AND SECTIONS			
DRAWN BY	CHECKED BY	DATE	SHEET NO.
VCV	BKW	APR 10 2012	M102
DESIGNED BY	CHECKED BY	SCALE	REVISION NO.
BKW	KRD	AS NOTED	0