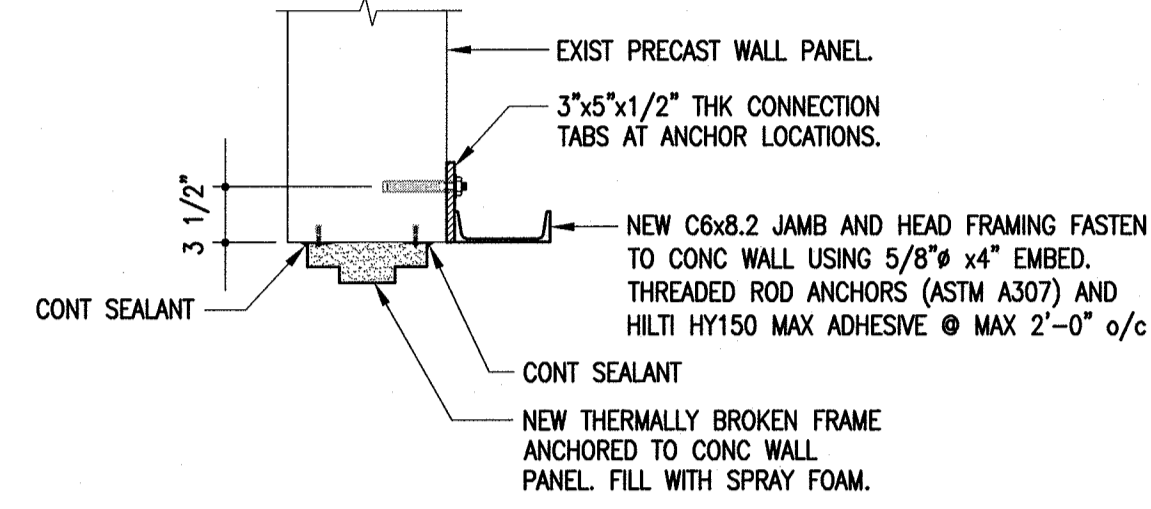
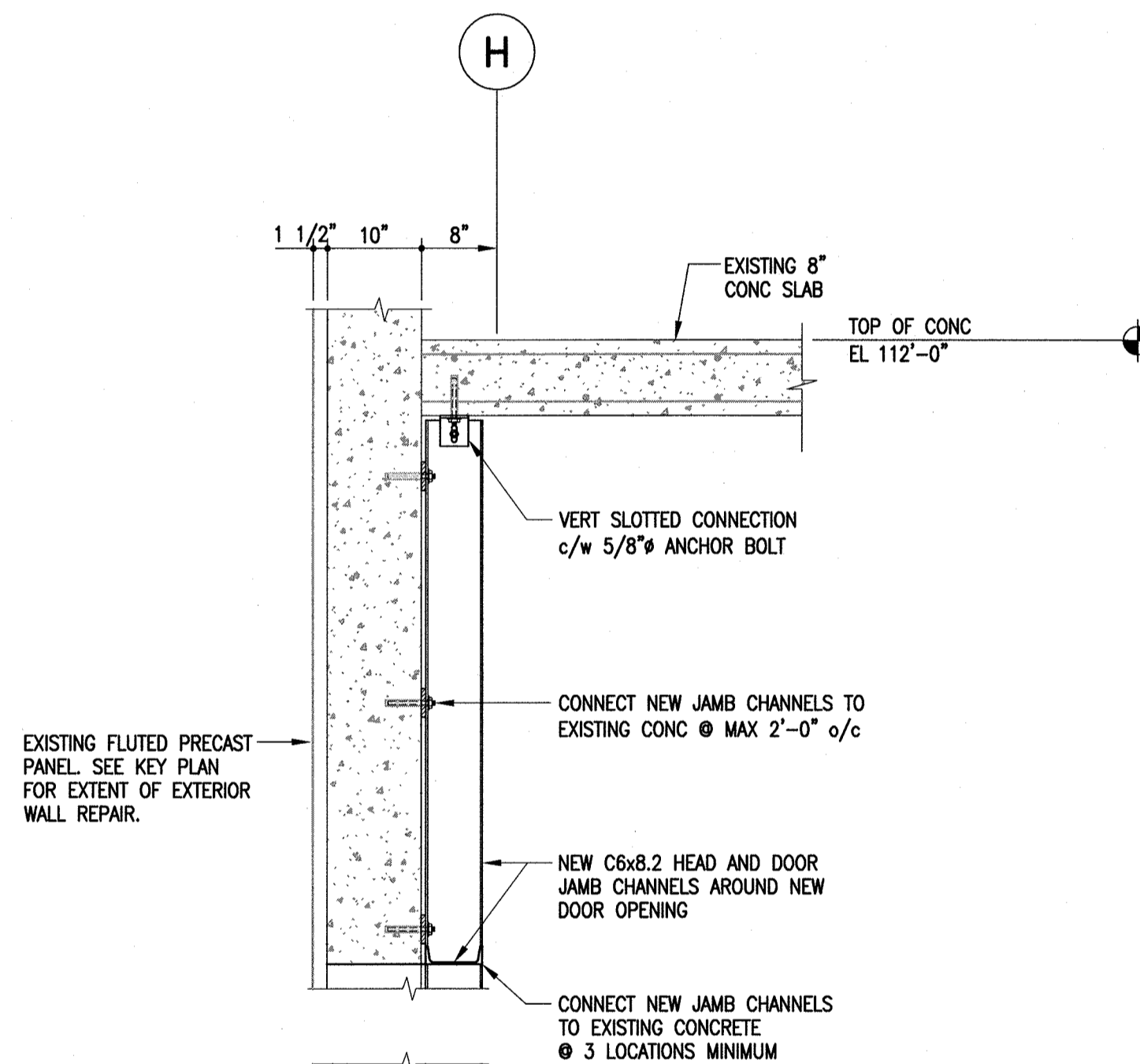


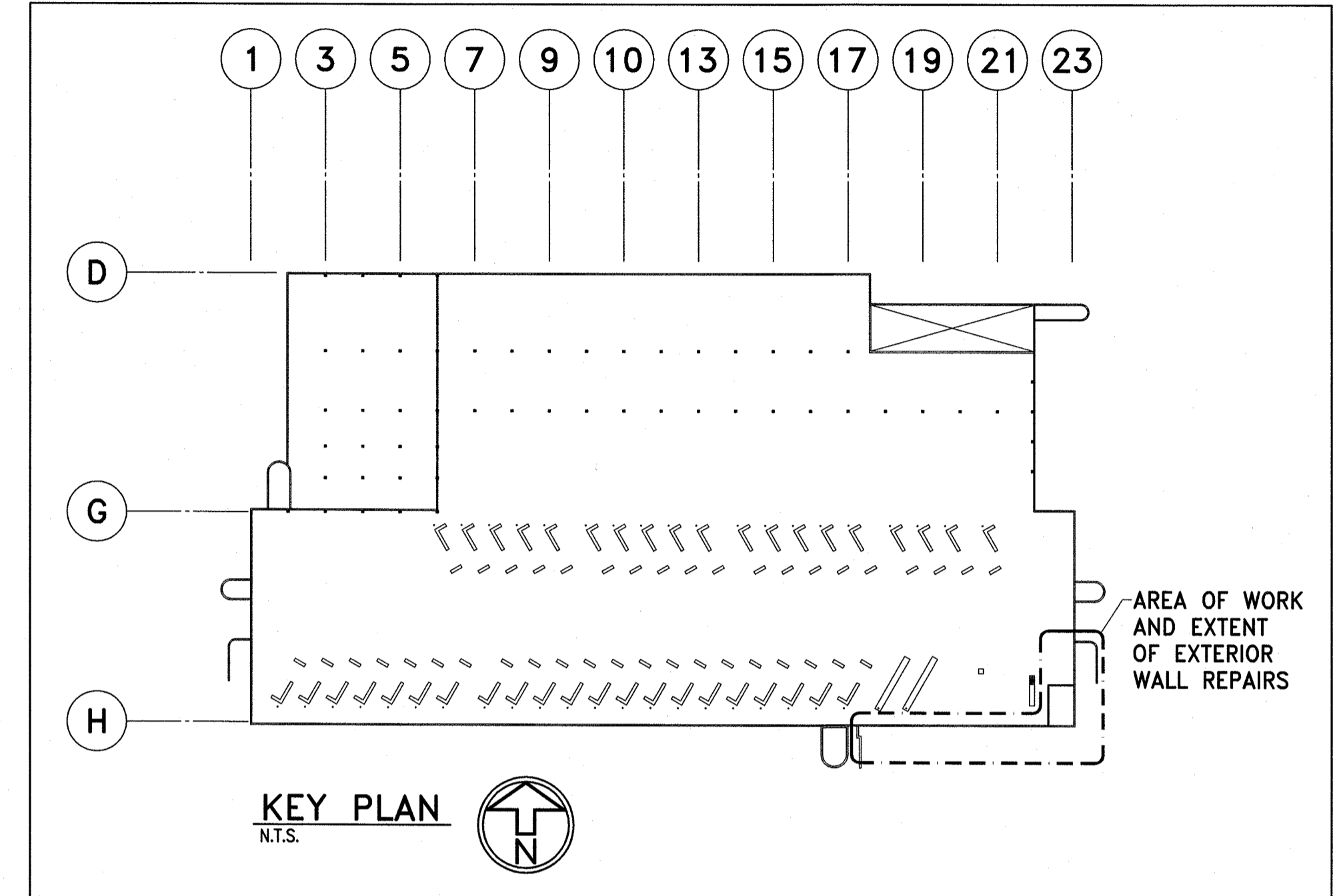
**PARTIAL FLOOR PLAN-TANK ROOM**  
SCALE: 1/4"=1'-0"



**A JAMB DETAIL (HEAD SIMILAR)**  
S-1 1" = 1'-0"



**1 SECTION**  
S-1 3/4" = 1'-0"



**KEY PLAN**  
N.T.S.

**GENERAL NOTES**

- DO NOT SCALE DRAWINGS.
- DRAWING WERE PREPARED BASED ON EXISTING DRAWING INFORMATION. CONTRACTOR TO REVIEW ALL SITE CONDITIONS AND DIMENSIONS PRIOR TO PROCEEDING WITH WORK.
- INSULATED AND SECURED HOARDING MUST BE CONSTRUCTED AND IN PLACE PRIOR TO BEGINNING DEMOLITION WORK.
- COORDINATE EXACT DOOR ROUGH OPENING SIZE AND LOCATION WITH CITY OF WINNIPEG PRIOR TO BEGINNING DEMOLITION WORK OR STEEL FABRICATION.

**EXTERIOR WALL REPAIRS**

- THE INTENT OF THE EXTERIOR WALL REPAIR IS TO REMOVE EXISTING WATERPROOFING AND RESTORE THE ORIGINAL CONCRETE FINISH.
- ALL EXISTING WATERPROOFING IS TO BE REMOVED FROM THE WALL SURFACE SUCH THAT NO DISCOLORATION REMAINS.
- ALL PRECAST PANEL JOINTS ARE TO BE CLEANED OUT TO ACCEPT NEW JOINT SEALANT.
- CONCRETE SURFACE IS TO BE SANDBLASTED TO REMOVE REMAINING CONTAMINANTS AND DELETERIOUS SUBSTANCES AND TO APPROPRIATELY PROFILE THE SURFACE.
- THE PREPARED SURFACE IS TO RECEIVE 2 COATS OF 100 PERCENT SOLIDS SILANE SEALER.
- REPAIR AREA APPROX 25'x16' (CONTRACTOR TO SITE CONFIRM)

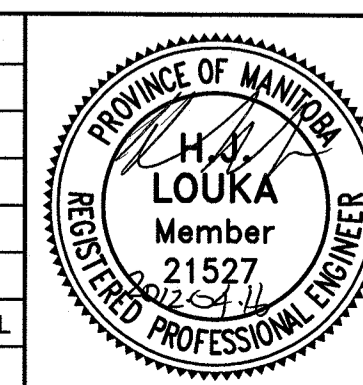
**HOLLOW METAL DOOR**

- NEW DOOR TO BE STANDARD 3'x7' INSULATED HOLLOW METAL DOOR IN THERMALLY BROKEN FRAME.
- DOOR TO BE SUPPLIED PRIMED AND SITE PAINTED IN COLOUR TO BE CHOSEN BY OWNER
- CONFIRM HARDWARE REQUIREMENTS WITH CITY OF WINNIPEG PRIOR TO ORDERING
- DOOR HARDWARE LIST:

HINGES	IVES	3CB 4 1/2"x4"	630
EXIT DEVICE	VONDUPRIN	98EO	626
DOOR CLOSER	LCN	4040	689
OVERHEAD STOP	GLYN JOHNSON	100F	US320
THRESHOLD	KN CROWDER	CT-75	
DOOR SWEEP	KN CROWDER	W13S	
WEATHERSTRIPPING	KN CROWDER	W50S	



No.	Date	Issue/Revision	By
1	APR 16, 2012	ISSUED FOR TENDER	HJL



300-275 Carlton Street  
Winnipeg, Manitoba R3C 0R6  
T 204. 943. 7501  
F 204. 943. 7507

**Crosier Kilgour & Partners Ltd.**  
CONSULTING STRUCTURAL ENGINEERS

The General Contractor shall check & verify all dimensions and report any errors or omissions to the designers.

Project						
WINNIPEG TRANSIT EXTERIOR WALL REPAIR AND NEW TANK ROOM DOOR 421 OSBORNE STREET, WINNIPEG, MANITOBA						
Sheet Title						Sheet No.
PLANS, DETAILS AND GENERAL NOTES						S-1
Design	Drawn	Checked	Scale	Date	File	
HJL	JHC	HJL	AS NOTED	MARCH 2012	2011-0790	