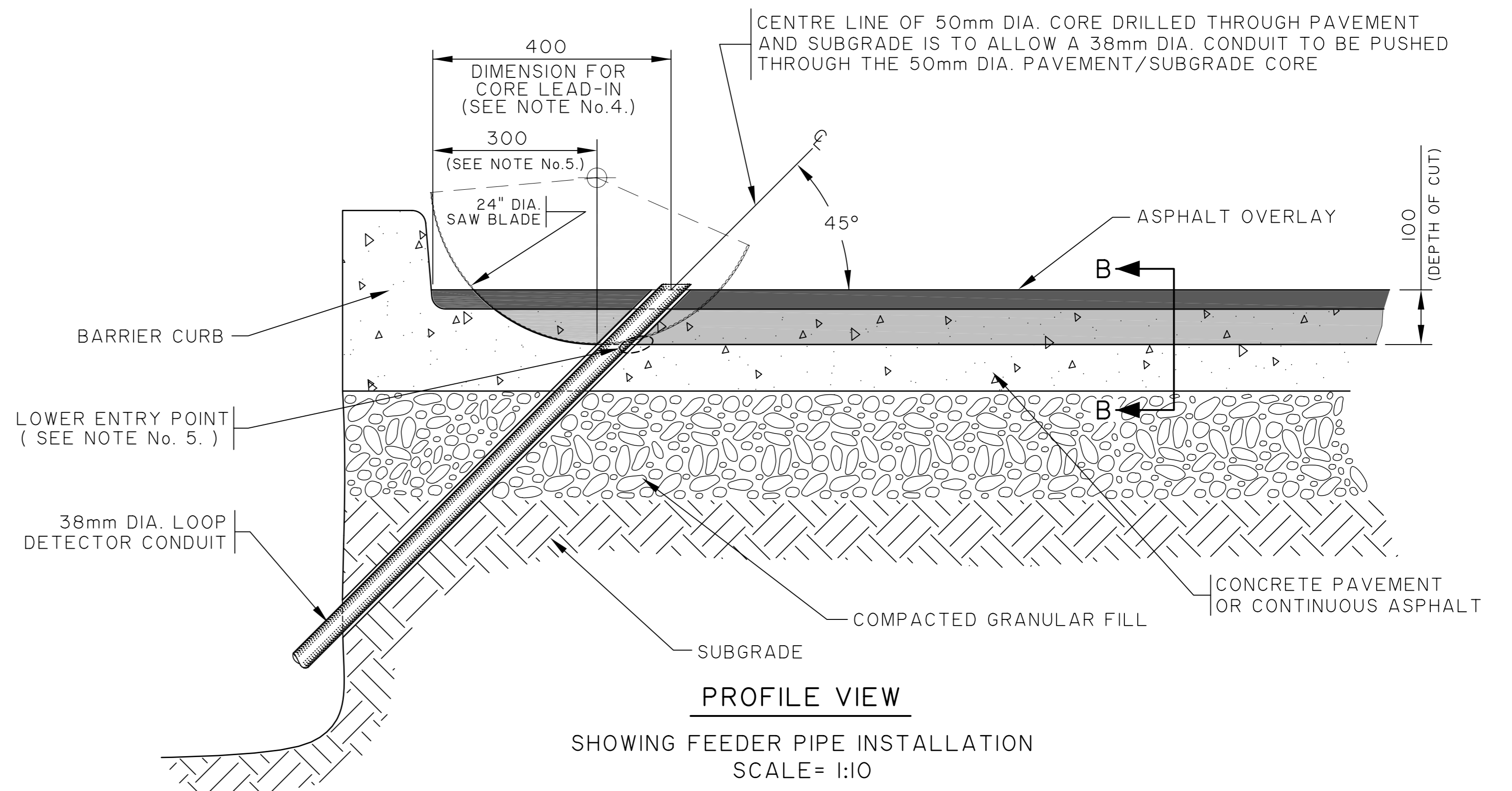


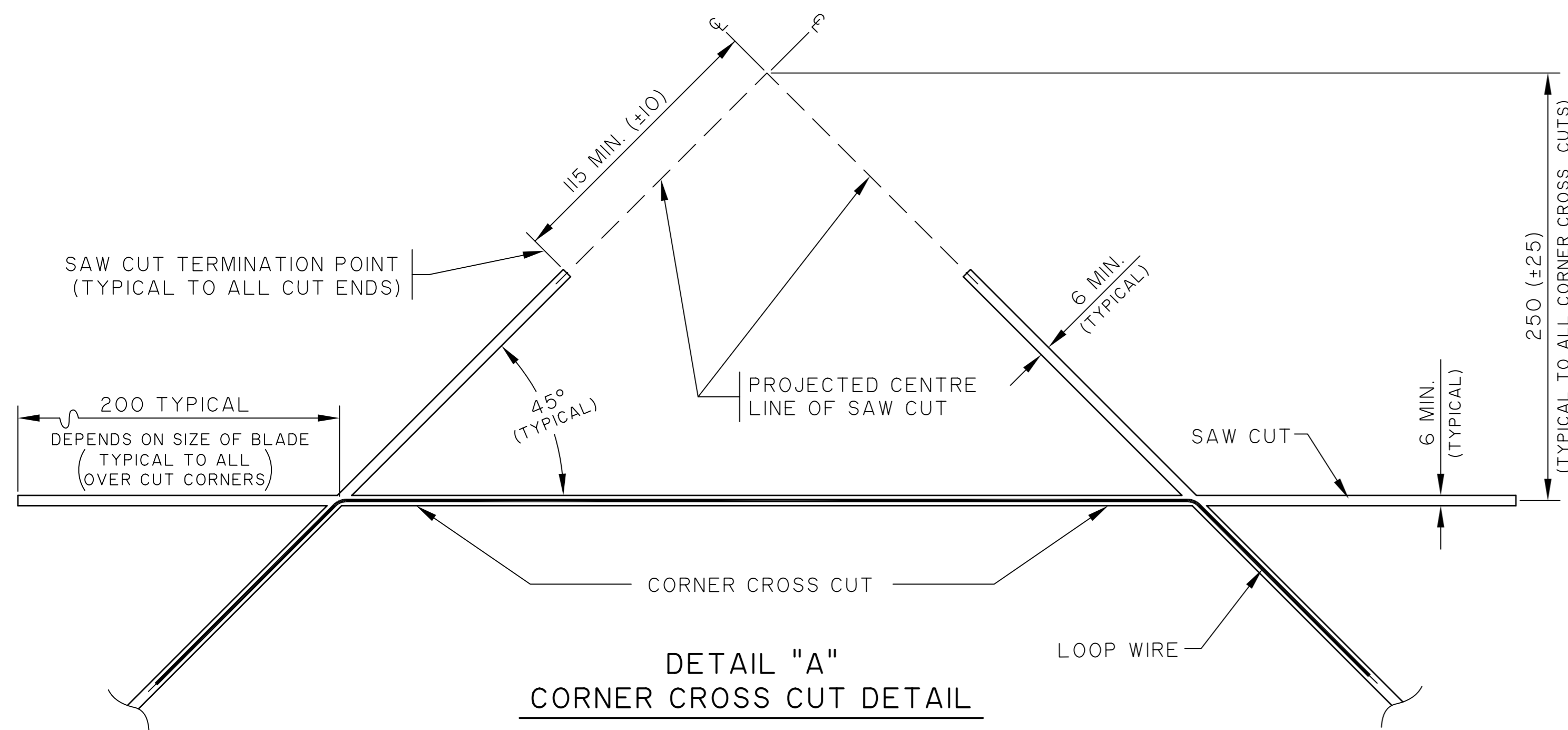
PLAN VIEW

SHOWING SAW CUT CONFIGURATION
SCALE= 1:50



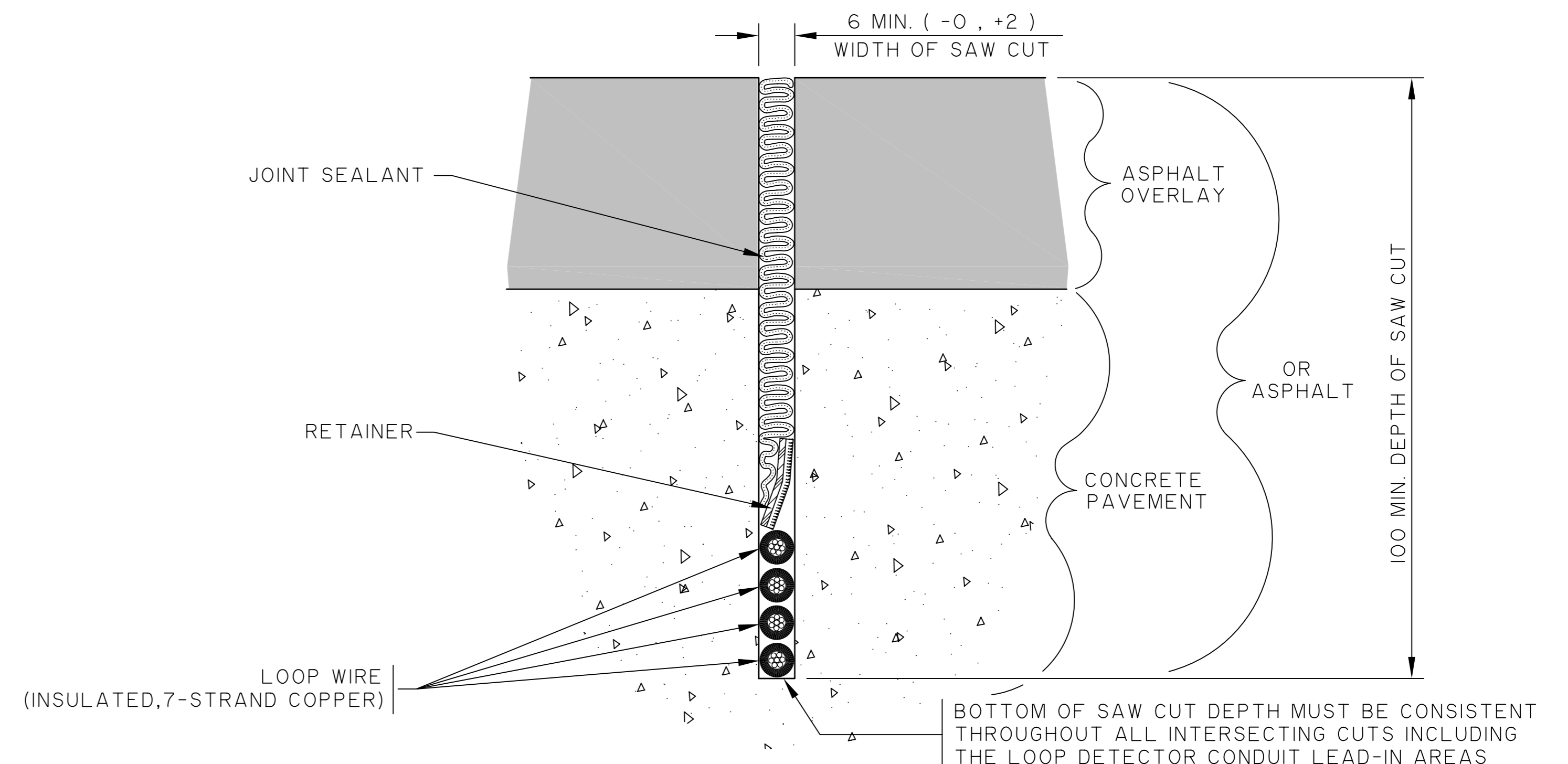
PROFILE VIEW

SHOWING FEEDER PIPE INSTALLATION
SCALE= 1:10



DETAIL "A"
CORNER CROSS CUT DETAIL

SHOWING SAW BLADE OVERCUT
SCALE= N.T.S.



SECTION "B-B"
SAW CUT CROSS SECTION DETAIL

SHOWING WIRE/RETAINER/SEALANT PLACEMENT WITHIN SAW CUT
SCALE= 1:1

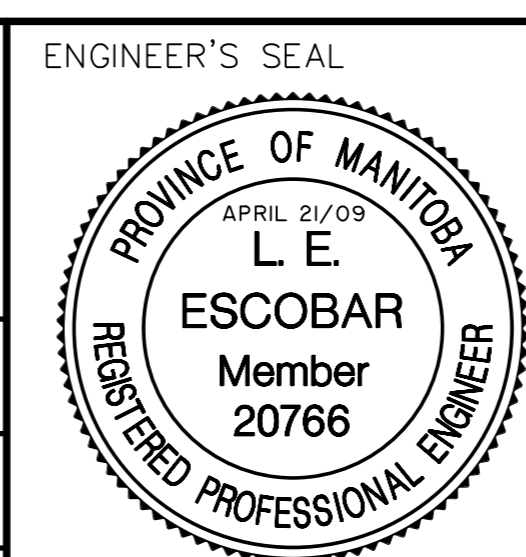
NOTE:

- MARK AND CUT THE LOOP IN THE LOCATION SUPPLIED ON THE CONSTRUCTION DRAWING .
- MEASURE AND CONFIRM ADEQUATE WIRE SLOT DEPTH PRIOR TO INSTALLING AND TESTING THE LOOP WIRE .
- HOME RUN LEAD MUST EXIT DETECTOR LOOP FROM EITHER END OF MOST "CENTRE OF LANE" ANGLE CUT AND REMAIN IN CENTRE AREA OF LANE PARALLEL TO CURB UNTIL A 90° ENTRY CAN BE MADE TO THE LEAD-IN.
- EXISTING CORE LEAD-IN DIMENSION MAY VARY.
- SAW THROUGH FULL DIAMETER OF CORE LEAD-IN PIPE TO ENSURE FULL DEPTH IS MAINTAINED AT LOWER ENTRY POINT.

ALL DIMENSIONS ARE IN MILLIMETRES

NO.	REVISIONS	DATE	BY
2.	REVISED CONSTRUCTION NOTES	09/03/09	N.B.
1.	REVISED TO SIGNALS SPEC./CAD.FILE	01/03/26	N.B.

REFERENCE SPEC. NO.			
CW-3620			
DESIGNED BY	N.K.B.	01/03/09	CHECKED BY
			N.K.B. 09/03/25
DRAWN BY	B.H.	01/03/14	SCALE
			AS SHOWN
APPROVED BY			
ORIGINAL SIGNED ON FILE L. ESCOBAR APRIL 21/09			
DATE			



THE CITY OF WINNIPEG
PUBLIC WORKS DEPARTMENT
TRANSPORTATION DIVISION

Winnipeg

DEEP SAW CUT INSTALLATION METHOD
FOR TRAFFIC SIGNALS
VEHICLE DETECTOR LOOPS
IN ASPHALT OR ASPHALT OVERLAY

SHEET 1 OF 1
CAD FILE DRAWING NUMBER
C:\SIGNALS\ST-DWG\ST-144
CITY DRAWING NUMBER
ST-144