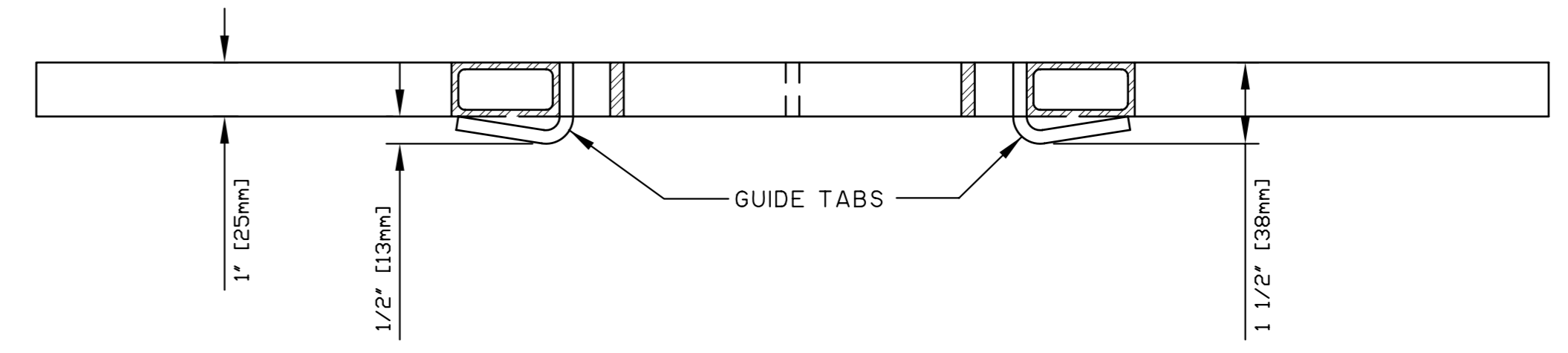
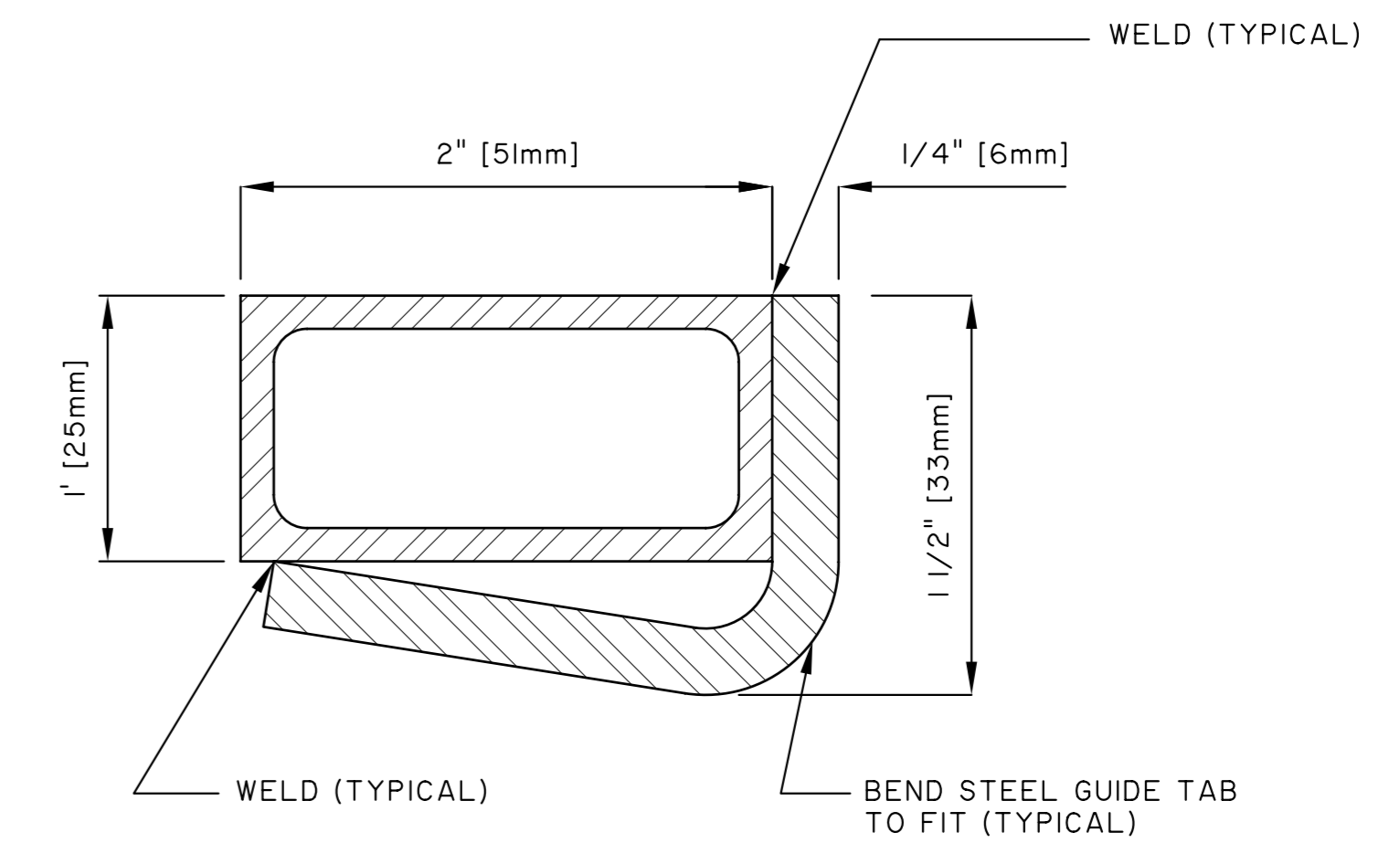


PLAN VIEW  
SCALE 3" = 1'-0"



SECTION A - A  
SCALE 3" = 1'-0"



SECTION B - B  
SCALE 1" = 1"


NOTES:

1. ALL WELDS ON TOP & BOTTOM SURFACES SHALL BE CONTINUOUS AND GROUND SMOOTH.
2. IMPERIAL ARE IN WHOLE NUMBERS AND METRIC NUMBERS ARE IN BRACKETS.
3. ANCHOR BOLT TEMPLATES TO BE SUPPLIED BY THE CITY OF WINNIPEG, TRAFFIC SIGNALS.
4. COPIES OF ORIGINAL DRAWINGS AVAILABLE FROM TRAFFIC SIGNALS.

NO.	REVISIONS	DATE	BY

REFERENCE SPEC. NO.	
CW 3620	
DESIGNED BY	CHECKED BY
DRAWN BY lwb	SCALE AS NOTED
APPROVED BY	
_____ DATE _____	

ENGINEER'S SEAL



**THE CITY OF WINNIPEG**  
PUBLIC WORKS DEPARTMENT  
TRANSPORTATION DIVISION

SHEET OF

CAD FILE DRAWING NUMBER

CITY DRAWING NUMBER

**ST - 179**

40' (12.19m.) & 50' (15.24m.) POLE  
BASE ANCHOR BOLT TEMPLATE