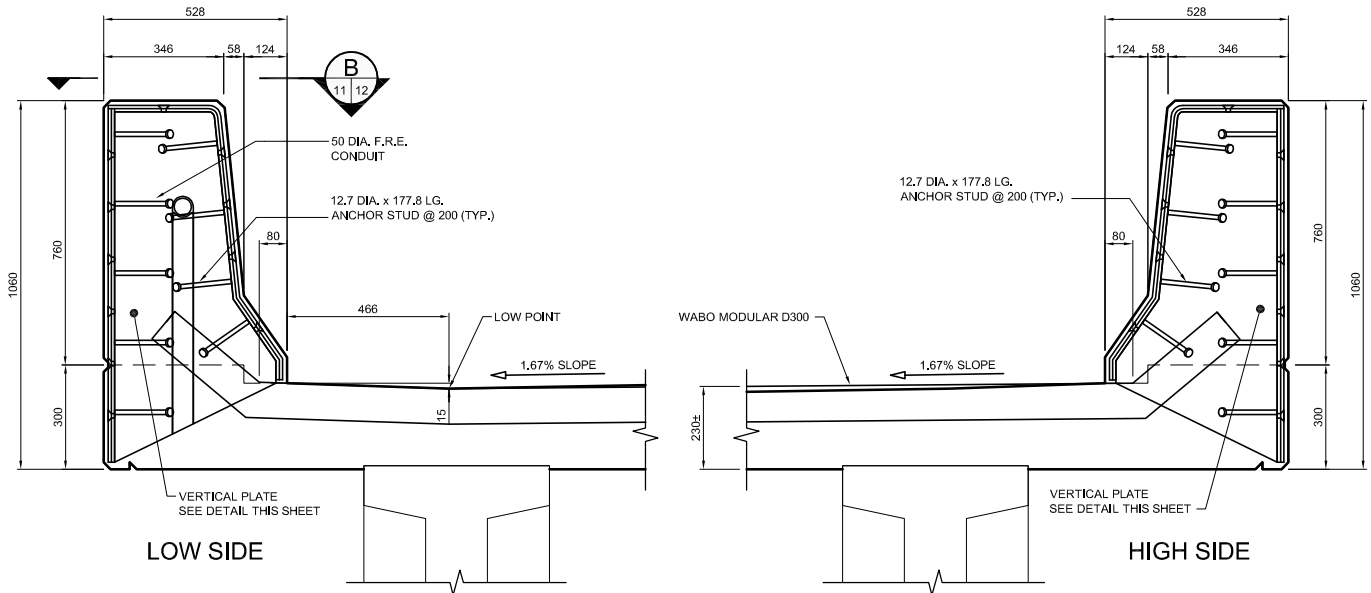


LOW SIDE

HIGH SIDE

1 EXISTING BARRIER DETAIL

2 EXISTING BARRIER DETAIL

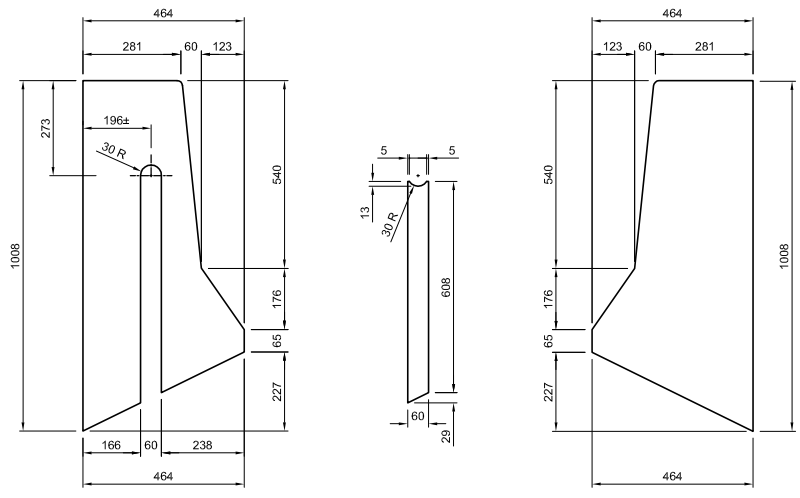


LOW SIDE

HIGH SIDE

3 PROPOSED BARRIER DETAIL

4 PROPOSED BARRIER DETAIL



VERTICAL PLATE DETAIL
SCALE 1:10

APEGM
Certificate of Authorization
Dillon Consulting Limited (MB)
No. 1789 Date: May 8, 2012

**DRAWING REDUCED
NOT TO SCALE**

B.M.1	BM CAP N/B BRIDGE, S.E. BARRIER AT EXP. JT.	DESIGNED BY	GCL
ELEV.	242.564 (LOCAL SURVEY)	DRAWN BY	JGW
B.M.2	S.E. BOLT ON PED. S. OF R/R W. OF S/B BRIDGE	CHECKED BY	SSR
ELEV.	233.125 (LOCAL SURVEY)	APPROVED BY	MBL
1	ISSUED FOR TENDER	05/08/12	JGW
0	ISSUED FOR REVIEW	05/01/12	JGW
NO.	REVISIONS	DATE	BY

RELEASED FOR CONSTRUCTION	DATE	MAY 8, 2012
---------------------------	------	-------------

DILLON CONSULTING

ENGINEER'S SEAL
PROVINCE OF MANITOBA
G.C. LOEPPKY
MAY 9, 2012
Member 24656
REGISTERED PROFESSIONAL ENGINEER
CONSULTANT PROJECT NO.
12-5995

THE CITY OF WINNIPEG
PUBLIC WORKS DEPARTMENT

2012 BRIDGE MAINTENANCE PROGRAM
ROUTE 20 KEEWATIN OVERPASS

EXPANSION JOINT - DETAILS (2 OF 3)

CITY DRAWING NUMBER
B123-12-12-R1
SHEET 12 OF 15

BID OPP. NO.
363-2012