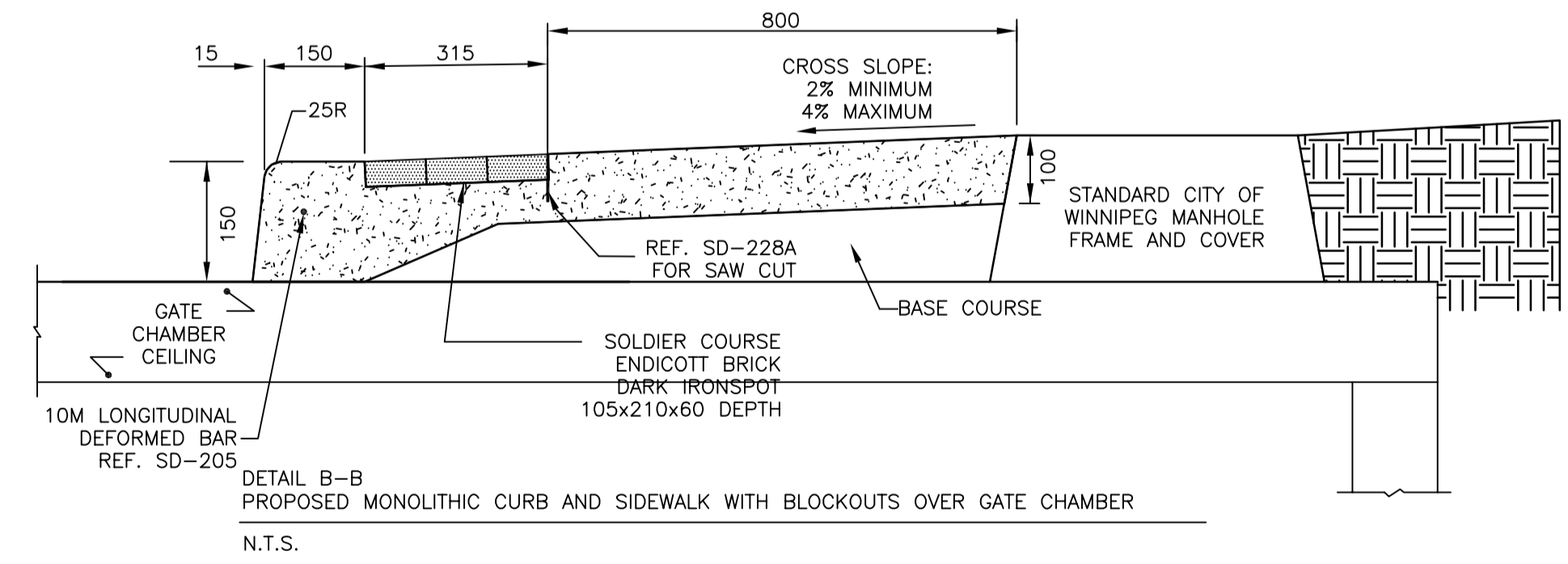
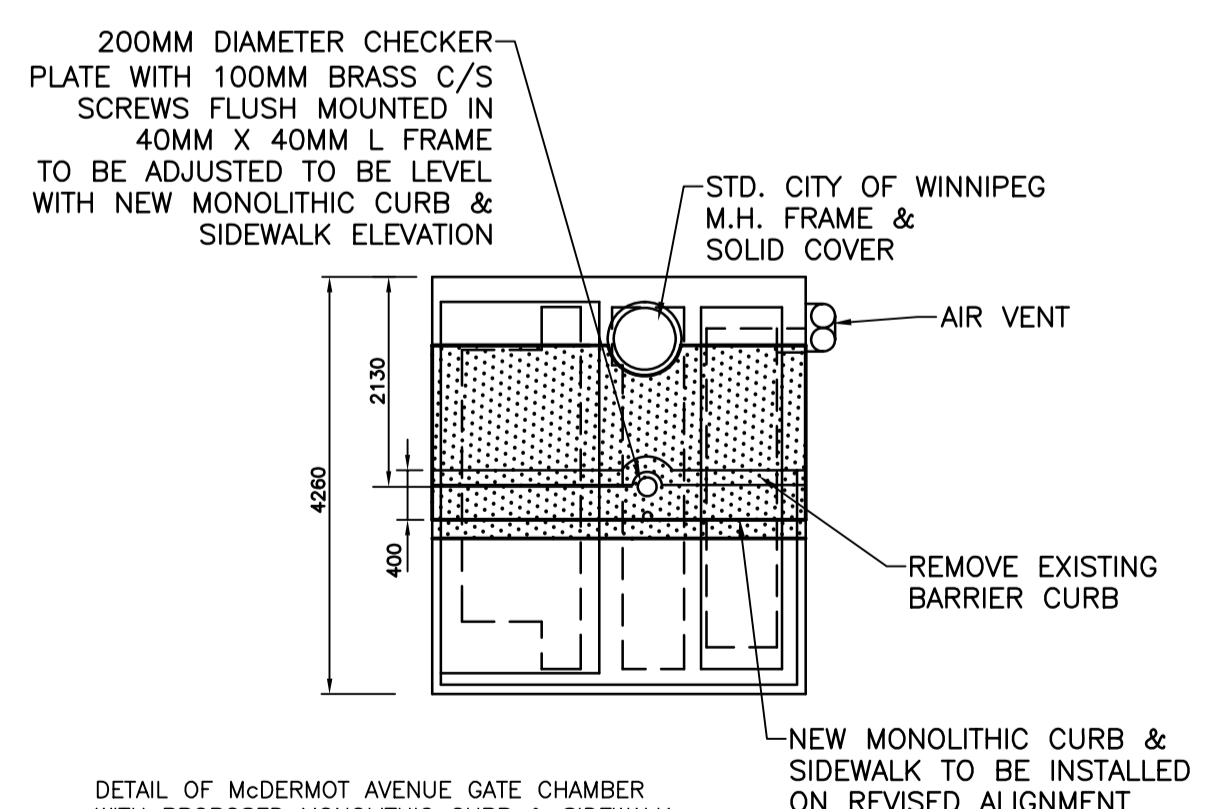
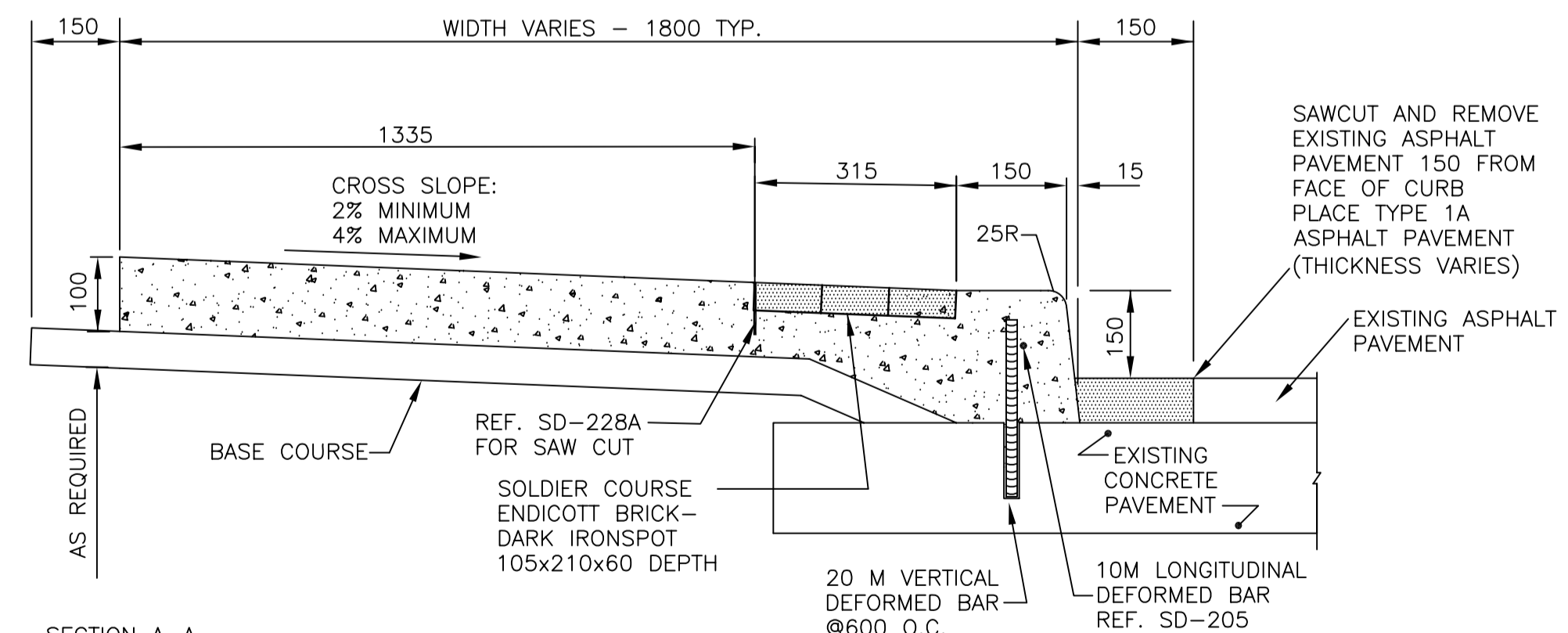


PRELIMINARY
NOT TO BE USED FOR CONSTRUCTION



- CONSTRUCTION NOTES**
- 1) CURB REPLACEMENT AS DIRECTED BY THE CONTRACT ADMINISTRATOR
 - 2) ALL STREET RADIUS CURB UNDER 15M RADIUS SHALL BE REPLACED AS MODIFIED OR AS DIRECTED BY THE CONTRACT ADMINISTRATOR
 - 3) PAVEMENT REPAIRS SHOWN ARE ONLY A REPRESENTATIVE SAMPLE OF THE TENDERED QUANTITIES
 - 4) ASPHALT TIE-INS ON APPROACHES TO BE DETERMINED IN THE FIELD BY THE CONTRACT ADMINISTRATOR.
 - 5) ALL BULLNOSES TO HAVE SLOPED FACE.

WARNING
IF POWER EQUIPMENT OR EXPLOSIVES ARE TO BE USED FOR EXCAVATION ON THIS PROJECT THE CONTRACTOR MUST:
1) OBTAIN CLEARANCE FROM THE GAS UTILITY PRIOR TO EXCAVATION.
2) TAKE PRECAUTION TO AVOID DAMAGE TO GAS UTILITY INSTALLATIONS.
SEE PROVINCIAL REGULATION 210/72 FOR DETAILS

SECTION A-A
PROPOSED MONOLITHIC CURB AND SIDEWALK WITH BLOCKOUTS FOR PAVING STONE DETAIL
N.T.S.

DETAIL OF McDERMOT AVENUE GATE CHAMBER WITH PROPOSED MONOLITHIC CURB & SIDEWALK
N.T.S.

METRIC
WHOLE NUMBERS INDICATE MILLIMETRES
DECIMALIZED NUMBERS INDICATE METRES

BID OPPORTUNITY NO. 391-2012

<table border="1"> <tr> <td>+</td><td>HYDRANT</td><td>+</td><td>---</td><td>LDS/WWS</td><td>---</td><td>---</td><td>NORTH GUTTER</td><td>---</td></tr> <tr> <td>o</td><td>VALVE</td><td>o</td><td>---</td><td>WATERMAIN</td><td>---</td><td>---</td><td>CENTER LINE</td><td>---</td></tr> <tr> <td>o</td><td>CURB STOP</td><td>o</td><td>---</td><td>GAS</td><td>---</td><td>---</td><td>SOUTH GUTTER</td><td>---</td></tr> <tr> <td>o</td><td>CONCRETE SIDEWALK</td><td>o</td><td>---</td><td>TRAFFIC SIGNALS</td><td>---</td><td>---</td><td></td><td>---</td></tr> <tr> <td>o</td><td>O.L.S.</td><td>o</td><td>---</td><td>CONCRETE</td><td>---</td><td>---</td><td></td><td>---</td></tr> <tr> <td>o</td><td>MANHOLE</td><td>o</td><td>---</td><td>CURB RENEWAL</td><td>---</td><td>---</td><td></td><td>---</td></tr> <tr> <td>o</td><td>CATCH BASIN</td><td>o</td><td>---</td><td>ELEVATIONS</td><td>---</td><td>231.000</td><td></td><td>---</td></tr> <tr> <td>o</td><td>CURB INLET</td><td>o</td><td>---</td><td>PROPERTY LINE</td><td>---</td><td>---</td><td></td><td>---</td></tr> <tr> <td>o</td><td>HYDRO POLE</td><td>o</td><td>---</td><td>SURVEY BAR</td><td>---</td><td>---</td><td></td><td>---</td></tr> <tr> <td>o</td><td>TRAFFIC SIGNAL POLE</td><td>o</td><td>---</td><td>GEODETIC BENCH MARK</td><td>---</td><td>---</td><td></td><td>---</td></tr> <tr> <td>o</td><td></td><td>o</td><td>---</td><td>RAMP CURB</td><td>---</td><td>---</td><td></td><td>---</td></tr> </table>	+	HYDRANT	+	---	LDS/WWS	---	---	NORTH GUTTER	---	o	VALVE	o	---	WATERMAIN	---	---	CENTER LINE	---	o	CURB STOP	o	---	GAS	---	---	SOUTH GUTTER	---	o	CONCRETE SIDEWALK	o	---	TRAFFIC SIGNALS	---	---		---	o	O.L.S.	o	---	CONCRETE	---	---		---	o	MANHOLE	o	---	CURB RENEWAL	---	---		---	o	CATCH BASIN	o	---	ELEVATIONS	---	231.000		---	o	CURB INLET	o	---	PROPERTY LINE	---	---		---	o	HYDRO POLE	o	---	SURVEY BAR	---	---		---	o	TRAFFIC SIGNAL POLE	o	---	GEODETIC BENCH MARK	---	---		---	o		o	---	RAMP CURB	---	---		---	<table border="1"> <tr> <td>+</td><td>---</td><td>+</td><td>---</td><td>LDS/WWS</td><td>---</td><td>---</td><td>NORTH GUTTER</td><td>---</td></tr> <tr> <td>o</td><td>---</td><td>o</td><td>---</td><td>WATERMAIN</td><td>---</td><td>---</td><td>CENTER LINE</td><td>---</td></tr> <tr> <td>o</td><td>---</td><td>o</td><td>---</td><td>GAS</td><td>---</td><td>---</td><td>SOUTH GUTTER</td><td>---</td></tr> <tr> <td>o</td><td>---</td><td>o</td><td>---</td><td>TRAFFIC SIGNALS</td><td>---</td><td>---</td><td></td><td>---</td></tr> <tr> <td>o</td><td>---</td><td>o</td><td>---</td><td>CONCRETE</td><td>---</td><td>---</td><td></td><td>---</td></tr> <tr> <td>o</td><td>---</td><td>o</td><td>---</td><td>CURB RENEWAL</td><td>---</td><td>---</td><td></td><td>---</td></tr> <tr> <td>o</td><td>---</td><td>o</td><td>---</td><td>ELEVATIONS</td><td>---</td><td>231.000</td><td></td><td>---</td></tr> <tr> <td>o</td><td>---</td><td>o</td><td>---</td><td>PROPERTY LINE</td><td>---</td><td>---</td><td></td><td>---</td></tr> <tr> <td>o</td><td>---</td><td>o</td><td>---</td><td>SURVEY BAR</td><td>---</td><td>---</td><td></td><td>---</td></tr> <tr> <td>o</td><td>---</td><td>o</td><td>---</td><td>GEODETIC BENCH MARK</td><td>---</td><td>---</td><td></td><td>---</td></tr> <tr> <td>o</td><td>---</td><td>o</td><td>---</td><td>RAMP CURB</td><td>---</td><td>---</td><td></td><td>---</td></tr> </table>	+	---	+	---	LDS/WWS	---	---	NORTH GUTTER	---	o	---	o	---	WATERMAIN	---	---	CENTER LINE	---	o	---	o	---	GAS	---	---	SOUTH GUTTER	---	o	---	o	---	TRAFFIC SIGNALS	---	---		---	o	---	o	---	CONCRETE	---	---		---	o	---	o	---	CURB RENEWAL	---	---		---	o	---	o	---	ELEVATIONS	---	231.000		---	o	---	o	---	PROPERTY LINE	---	---		---	o	---	o	---	SURVEY BAR	---	---		---	o	---	o	---	GEODETIC BENCH MARK	---	---		---	o	---	o	---	RAMP CURB	---	---		---	<table border="1"> <tr> <td>+</td><td>---</td><td>+</td><td>---</td><td>LDS/WWS</td><td>---</td><td>---</td><td>NORTH GUTTER</td><td>---</td></tr> <tr> <td>o</td><td>---</td><td>o</td><td>---</td><td>WATERMAIN</td><td>---</td><td>---</td><td>CENTER LINE</td><td>---</td></tr> <tr> <td>o</td><td>---</td><td>o</td><td>---</td><td>GAS</td><td>---</td><td>---</td><td>SOUTH GUTTER</td><td>---</td></tr> <tr> <td>o</td><td>---</td><td>o</td><td>---</td><td>TRAFFIC SIGNALS</td><td>---</td><td>---</td><td></td><td>---</td></tr> <tr> <td>o</td><td>---</td><td>o</td><td>---</td><td>CONCRETE</td><td>---</td><td>---</td><td></td><td>---</td></tr> <tr> <td>o</td><td>---</td><td>o</td><td>---</td><td>CURB RENEWAL</td><td>---</td><td>---</td><td></td><td>---</td></tr> <tr> <td>o</td><td>---</td><td>o</td><td>---</td><td>ELEVATIONS</td><td>---</td><td>231.000</td><td></td><td>---</td></tr> <tr> <td>o</td><td>---</td><td>o</td><td>---</td><td>PROPERTY LINE</td><td>---</td><td>---</td><td></td><td>---</td></tr> <tr> <td>o</td><td>---</td><td>o</td><td>---</td><td>SURVEY BAR</td><td>---</td><td>---</td><td></td><td>---</td></tr> <tr> <td>o</td><td>---</td><td>o</td><td>---</td><td>GEODETIC BENCH MARK</td><td>---</td><td>---</td><td></td><td>---</td></tr> <tr> <td>o</td><td>---</td><td>o</td><td>---</td><td>RAMP CURB</td><td>---</td><td>---</td><td></td><td>---</td></tr> </table>	+	---	+	---	LDS/WWS	---	---	NORTH GUTTER	---	o	---	o	---	WATERMAIN	---	---	CENTER LINE	---	o	---	o	---	GAS	---	---	SOUTH GUTTER	---	o	---	o	---	TRAFFIC SIGNALS	---	---		---	o	---	o	---	CONCRETE	---	---		---	o	---	o	---	CURB RENEWAL	---	---		---	o	---	o	---	ELEVATIONS	---	231.000		---	o	---	o	---	PROPERTY LINE	---	---		---	o	---	o	---	SURVEY BAR	---	---		---	o	---	o	---	GEODETIC BENCH MARK	---	---		---	o	---	o	---	RAMP CURB	---	---		---	<table border="1"> <tr> <td>+</td><td>---</td><td>+</td><td>---</td><td>LDS/WWS</td><td>---</td><td>---</td><td>NORTH GUTTER</td><td>---</td></tr> <tr> <td>o</td><td>---</td><td>o</td><td>---</td><td>WATERMAIN</td><td>---</td><td>---</td><td>CENTER LINE</td><td>---</td></tr> <tr> <td>o</td><td>---</td><td>o</td><td>---</td><td>GAS</td><td>---</td><td>---</td><td>SOUTH GUTTER</td><td>---</td></tr> <tr> <td>o</td><td>---</td><td>o</td><td>---</td><td>TRAFFIC SIGNALS</td><td>---</td><td>---</td><td></td><td>---</td></tr> <tr> <td>o</td><td>---</td><td>o</td><td>---</td><td>CONCRETE</td><td>---</td><td>---</td><td></td><td>---</td></tr> <tr> <td>o</td><td>---</td><td>o</td><td>---</td><td>CURB RENEWAL</td><td>---</td><td>---</td><td></td><td>---</td></tr> <tr> <td>o</td><td>---</td><td>o</td><td>---</td><td>ELEVATIONS</td><td>---</td><td>231.000</td><td></td><td>---</td></tr> <tr> <td>o</td><td>---</td><td>o</td><td>---</td><td>PROPERTY LINE</td><td>---</td><td>---</td><td></td><td>---</td></tr> <tr> <td>o</td><td>---</td><td>o</td><td>---</td><td>SURVEY BAR</td><td>---</td><td>---</td><td></td><td>---</td></tr> <tr> <td>o</td><td>---</td><td>o</td><td>---</td><td>GEODETIC BENCH MARK</td><td>---</td><td>---</td><td></td><td>---</td></tr> <tr> <td>o</td><td>---</td><td>o</td><td>---</td><td>RAMP CURB</td><td>---</td><td>---</td><td></td><td>---</td></tr> </table>	+	---	+	---	LDS/WWS	---	---	NORTH GUTTER	---	o	---	o	---	WATERMAIN	---	---	CENTER LINE	---	o	---	o	---	GAS	---	---	SOUTH GUTTER	---	o	---	o	---	TRAFFIC SIGNALS	---	---		---	o	---	o	---	CONCRETE	---	---		---	o	---	o	---	CURB RENEWAL	---	---		---	o	---	o	---	ELEVATIONS	---	231.000		---	o	---	o	---	PROPERTY LINE	---	---		---	o	---	o	---	SURVEY BAR	---	---		---	o	---	o	---	GEODETIC BENCH MARK	---	---		---	o	---	o	---	RAMP CURB	---	---		---	<table border="1"> <tr> <td>+</td><td>---</td><td>+</td><td>---</td><td>LDS/WWS</td><td>---</td><td>---</td><td>NORTH GUTTER</td><td>---</td></tr> <tr> <td>o</td><td>---</td><td>o</td><td>---</td><td>WATERMAIN</td><td>---</td><td>---</td><td>CENTER LINE</td><td>---</td></tr> <tr> <td>o</td><td>---</td><td>o</td><td>---</td><td>GAS</td><td>---</td><td>---</td><td>SOUTH GUTTER</td><td>---</td></tr> <tr> <td>o</td><td>---</td><td>o</td><td>---</td><td>TRAFFIC SIGNALS</td><td>---</td><td>---</td><td></td><td>---</td></tr> <tr> <td>o</td><td>---</td><td>o</td><td>---</td><td>CONCRETE</td><td>---</td><td>---</td><td></td><td>---</td></tr> <tr> <td>o</td><td>---</td><td>o</td><td>---</td><td>CURB RENEWAL</td><td>---</td><td>---</td><td></td><td>---</td></tr> <tr> <td>o</td><td>---</td><td>o</td><td>---</td><td>ELEVATIONS</td><td>---</td><td>231.000</td><td></td><td>---</td></tr> <tr> <td>o</td><td>---</td><td>o</td><td>---</td><td>PROPERTY LINE</td><td>---</td><td>---</td><td></td><td>---</td></tr> <tr> <td>o</td><td>---</td><td>o</td><td>---</td><td>SURVEY BAR</td><td>---</td><td>---</td><td></td><td>---</td></tr> <tr> <td>o</td><td>---</td><td>o</td><td>---</td><td>GEODETIC BENCH MARK</td><td>---</td><td>---</td><td></td><td>---</td></tr> <tr> <td>o</td><td>---</td><td>o</td><td>---</td><td>RAMP CURB</td><td>---</td><td>---</td><td></td><td>---</td></tr> </table>	+	---	+	---	LDS/WWS	---	---	NORTH GUTTER	---	o	---	o	---	WATERMAIN	---	---	CENTER LINE	---	o	---	o	---	GAS	---	---	SOUTH GUTTER	---	o	---	o	---	TRAFFIC SIGNALS	---	---		---	o	---	o	---	CONCRETE	---	---		---	o	---	o	---	CURB RENEWAL	---	---		---	o	---	o	---	ELEVATIONS	---	231.000		---	o	---	o	---	PROPERTY LINE	---	---		---	o	---	o	---	SURVEY BAR	---	---		---	o	---	o	---	GEODETIC BENCH MARK	---	---		---	o	---	o	---	RAMP CURB	---	---		---	<table border="1"> <tr> <td>+</td><td>---</td><td>+</td><td>---</td><td>LDS/WWS</td><td>---</td><td>---</td><td>NORTH GUTTER</td><td>---</td></tr> <tr> <td>o</td><td>---</td><td>o</td><td>---</td><td>WATERMAIN</td><td>---</td><td>---</td><td>CENTER LINE</td><td>---</td></tr> <tr> <td>o</td><td>---</td><td>o</td><td>---</td><td>GAS</td><td>---</td><td>---</td><td>SOUTH GUTTER</td><td>---</td></tr> <tr> <td>o</td><td>---</td><td>o</td><td>---</td><td>TRAFFIC SIGNALS</td><td>---</td><td>---</td><td></td><td>---</td></tr> <tr> <td>o</td><td>---</td><td>o</td><td>---</td><td>CONCRETE</td><td>---</td><td>---</td><td></td><td>---</td></tr> <tr> <td>o</td><td>---</td><td>o</td><td>---</td><td>CURB RENEWAL</td><td>---</td><td>---</td><td></td><td>---</td></tr> <tr> <td>o</td><td>---</td><td>o</td><td>---</td><td>ELEVATIONS</td><td>---</td><td>231.000</td><td></td><td>---</td></tr> <tr> <td>o</td><td>---</td><td>o</td><td>---</td><td>PROPERTY LINE</td><td>---</td><td>---</td><td></td><td>---</td></tr> <tr> <td>o</td><td>---</td><td>o</td><td>---</td><td>SURVEY BAR</td><td>---</td><td>---</td><td></td><td>---</td></tr> <tr> <td>o</td><td>---</td><td>o</td><td>---</td><td>GEODETIC BENCH MARK</td><td>---</td><td>---</td><td></td><td>---</td></tr> <tr> <td>o</td><td>---</td><td>o</td><td>---</td><td>RAMP CURB</td><td>---</td><td>---</td><td></td><td>---</td></tr> </table>	+	---	+	---	LDS/WWS	---	---	NORTH GUTTER	---	o	---	o	---	WATERMAIN	---	---	CENTER LINE	---	o	---	o	---	GAS	---	---	SOUTH GUTTER	---	o	---	o	---	TRAFFIC SIGNALS	---	---		---	o	---	o	---	CONCRETE	---	---		---	o	---	o	---	CURB RENEWAL	---	---		---	o	---	o	---	ELEVATIONS	---	231.000		---	o	---	o	---	PROPERTY LINE	---	---		---	o	---	o	---	SURVEY BAR	---	---		---	o	---	o	---	GEODETIC BENCH MARK	---	---		---	o	---	o	---	RAMP CURB	---	---		---	<table border="1"> <tr> <td>+</td><td>---</td><td>+</td><td>---</td><td>LDS/WWS</td><td>---</td><td>---</td><td>NORTH GUTTER</td><td>---</td></tr> <tr> <td>o</td><td>---</td><td>o</td><td>---</td><td>WATERMAIN</td><td>---</td><td>---</td><td>CENTER LINE</td><td>---</td></tr> <tr> <td>o</td><td>---</td><td>o</td><td>---</td><td>GAS</td><td>---</td><td>---</td><td>SOUTH GUTTER</td><td>---</td></tr> <tr> <td>o</td><td>---</td><td>o</td><td>---</td><td>TRAFFIC SIGNALS</td><td>---</td><td>---</td><td></td><td>---</td></tr> <tr> <td>o</td><td>---</td><td>o</td><td>---</td><td>CONCRETE</td><td>---</td><td>---</td><td></td><td>---</td></tr> <tr> <td>o</td><td>---</td><td>o</td><td>---</td><td>CURB RENEWAL</td><td>---</td><td>---</td><td></td><td>---</td></tr> <tr> <td>o</td><td>---</td><td>o</td><td>---</td><td>ELEVATIONS</td><td>---</td><td>231.000</td><td></td><td>---</td></tr> <tr> <td>o</td><td>---</td><td>o</td><td>---</td><td>PROPERTY LINE</td><td>---</td><td>---</td><td></td><td>---</td></tr> <tr> <td>o</td><td>---</td><td>o</td><td>---</td><td>SURVEY BAR</td><td>---</td><td>---</td><td></td><td>---</td></tr> <tr> <td>o</td><td>---</td><td>o</td><td>---</td><td>GEODETIC BENCH MARK</td><td>---</td><td>---</td><td></td><td>---</td></tr> <tr> <td>o</td><td>---</td><td>o</td><td>---</td><td>RAMP CURB</td><td>---</td><td>---</td><td></td><td>---</td></tr> </table>	+	---	+	---	LDS/WWS	---	---	NORTH GUTTER	---	o	---	o	---	WATERMAIN	---	---	CENTER LINE	---	o	---	o	---	GAS	---	---	SOUTH GUTTER	---	o	---	o	---	TRAFFIC SIGNALS	---	---		---	o	---	o	---	CONCRETE	---	---		---	o	---	o	---	CURB RENEWAL	---	---		---	o	---	o	---	ELEVATIONS	---	231.000		---	o	---	o	---	PROPERTY LINE	---	---		---	o	---	o	---	SURVEY BAR	---	---		---	o	---	o	---	GEODETIC BENCH MARK	---	---		---	o	---	o	---	RAMP CURB	---	---		---	<table border="1"> <tr> <td>+</td><td>---</td><td>+</td><td>---</td><td>LDS/WWS</td><td>---</td><td>---</td><td>NORTH GUTTER</td><td>---</td></tr> <tr> <td>o</td><td>---</td><td>o</td><td>---</td><td>WATERMAIN</td><td>---</td><td>---</td><td>CENTER LINE</td><td>---</td></tr> <tr> <td>o</td><td>---</td><td>o</td><td>---</td><td>GAS</td><td>---</td><td>---</td><td>SOUTH GUTTER</td><td>---</td></tr> <tr> <td>o</td><td>---</td><td>o</td><td>---</td><td>TRAFFIC SIGNALS</td><td>---</td><td>---</td><td></td><td>---</td></tr> <tr> <td>o</td><td>---</td><td>o</td><td>---</td><td>CONCRETE</td><td>---</td><td>---</td><td></td><td>---</td></tr> <tr> <td>o</td><td>---</td><td>o</td><td>---</td><td>CURB RENEWAL</td><td>---</td><td>---</td><td></td><td>---</td></tr> <tr> <td>o</td><td>---</td><td>o</td><td>---</td><td>ELEVATIONS</td><td>---</td><td>231.000</td><td></td><td>---</td></tr> <tr> <td>o</td><td>---</td><td>o</td><td>---</td><td>PROPERTY LINE</td><td>---</td><td>---</td><td></td><td>---</td></tr> <tr> <td>o</td><td>---</td><td>o</td><td>---</td><td>SURVEY BAR</td><td>---</td><td>---</td><td></td><td>---</td></tr> <tr> <td>o</td><td>---</td><td>o</td><td>---</td><td>GEODETIC BENCH MARK</td><td>---</td><td>---</td><td></td><td>---</td></tr> <tr> <td>o</td><td>---</td><td>o</td><td>---</td><td>RAMP CURB</td><td>---</td><td>---</td><td></td><td>---</td></tr> </table>	+	---	+	---	LDS/WWS	---	---	NORTH GUTTER	---	o	---	o	---	WATERMAIN	---	---	CENTER LINE	---	o	---	o	---	GAS	---	---	SOUTH GUTTER	---	o	---	o	---	TRAFFIC SIGNALS	---	---		---	o	---	o	---	CONCRETE	---	---		---	o	---	o	---	CURB RENEWAL	---	---		---	o	---	o	---	ELEVATIONS	---	231.000		---	o	---	o	---	PROPERTY LINE	---	---		---	o	---	o	---	SURVEY BAR	---	---		---	o	---	o	---	GEODETIC BENCH MARK	---	---		---	o	---	o	---	RAMP CURB	---	---		---	<table border="1"> <tr> <td>+</td><td>---</td><td>+</td><td>---</td><td>LDS/WWS</td><td>---</td><td>---</td><td>NORTH GUTTER</td><td>---</td></tr> <tr> <td>o</td><td>---</td><td>o</td><td>---</td><td>WATERMAIN</td><td>---</td><td>---</td><td>CENTER LINE</td><td>---</td></tr> <tr> <td>o</td><td>---</td><td>o</td><td>---</td><td>GAS</td><td>---</td><td>---</td><td>SOUTH GUTTER</td><td>---</td></tr> <tr> <td>o</td><td>---</td><td>o</td><td>---</td><td>TRAFFIC SIGNALS</td><td>---</td><td>---</td><td></td><td>---</td></tr> <tr> <td>o</td><td>---</td><td>o</td><td>---</td><td>CONCRETE</td><td>---</td><td>---</td><td></td><td>---</td></tr> <tr> <td>o</td><td>---</td><td>o</td><td>---</td><td>CURB RENEWAL</td><td>---</td><td>---</td><td></td><td>---</td></tr> <tr> <td>o</td><td>---</td><td>o</td><td>---</td><td>ELEVATIONS</td><td>---</td><td>231.000</td><td></td><td>---</td></tr> <tr> <td>o</td><td>---</td><td>o</td><td>---</td><td>PROPERTY LINE</td><td>---</td><td>---</td><td></td><td>---</td></tr> <tr> <td>o</td><td>---</td><td>o</td><td>---</td><td>SURVEY BAR</td><td>---</td><td>---</td><td></td><td>---</td></tr> <tr> <td>o</td><td>---</td><td>o</td><td>---</td><td>GEODETIC BENCH MARK</td><td>---</td><td>---</td><td></td><td>---</td></tr> <tr> <td>o</td><td>---</td><td>o</td><td>---</td><td>RAMP CURB</td><td>---</td><td>---</td><td></td><td>---</td></tr> </table>	+	---	+	---	LDS/WWS	---	---	NORTH GUTTER	---	o	---	o	---	WATERMAIN	---	---	CENTER LINE	---	o	---	o	---	GAS	---	---	SOUTH GUTTER	---	o	---	o	---	TRAFFIC SIGNALS	---	---		---	o	---	o	---	CONCRETE	---	---		---	o	---	o	---	CURB RENEWAL	---	---		---	o	---	o	---	ELEVATIONS	---	231.000		---	o	---	o	---	PROPERTY LINE	---	---		---	o	---	o	---	SURVEY BAR	---	---		---	o	---	o	---	GEODETIC BENCH MARK	---	---		---	o	---	o	---	RAMP CURB	---	---		---	<table border="1"> <tr> <td>+</td><td>---</td><td>+</td><td>---</td><td>LDS/WWS</td><td>---</td><td>---</td><td>NORTH GUTTER</td><td>---</td></tr> <tr> <td>o</td><td>---</td><td>o</td><td>---</td><td>WATERMAIN</td><td>---</td><td>---</td><td>CENTER LINE</td><td>---</td></tr> <tr> <td>o</td><td>---</td><td>o</td><td>---</td><td>GAS</td><td>---</td><td>---</td><td>SOUTH GUTTER</td><td>---</td></tr> <tr> <td>o</td><td>---</td><td>o</td><td>---</td><td>TRAFFIC SIGNALS</td><td>---</td><td>---</td><td></td><td>---</td></tr> <tr> <td>o</td><td>---</td><td>o</td><td>---</td><td>CONCRETE</td><td>---</td><td>---</td><td></td><td>---</td></tr> <tr> <td>o</td><td>---</td><td>o</td><td>---</td><td>CURB RENEWAL</td><td>---</td><td>---</td><td></td><td>---</td></tr> <tr> <td>o</td><td>---</td><td>o</td><td>---</td><td>ELEVATIONS</td><td>---</td><td>231.000</td><td></td><td>---</td></tr> <tr> <td>o</td><td>---</td><td>o</td><td>---</td><td>PROPERTY LINE</td><td>---</td><td>---</td><td></td><td>---</td></tr> <tr> <td>o</td><td>---</td><td>o</td><td>---</td><td>SURVEY BAR</td><td>---</td><td>---</td><td></td><td>---</td></tr> <tr> <td>o</td><td>---</td><td>o</td><td>---</td><td>GEODETIC BENCH MARK</td><td>---</td><td>---</td><td></td><td>---</td></tr> <tr> <td>o</td><td>---</td><td>o</td><td>---</td><td>RAMP CURB</td><td>---</td><td>---</td><td></td><td>---</td></tr> </table>	+	---	+	---	LDS/WWS	---	---	NORTH GUTTER	---	o	---	o	---	WATERMAIN	---	---	CENTER LINE	---	o	---	o	---	GAS	---	---	SOUTH GUTTER	---	o	---	o	---	TRAFFIC SIGNALS	---	---		---	o	---	o	---	CONCRETE	---	---		---	o	---	o	---	CURB RENEWAL	---	---		---	o	---	o	---	ELEVATIONS	---	231.000		---	o	---	o	---	PROPERTY LINE	---	---		---	o	---	o	---	SURVEY BAR	---	---		---	o	---	o	---	GEODETIC BENCH MARK	---	---		---	o	---	o	---	RAMP CURB	---	---		---	<table border="1"> <tr> <td>+</td><td>---</td><td>+</td><td>---</td><td>LDS/WWS</td><td>---</td><td>---</td><td>NORTH GUTTER</td><td>---</td></tr> <tr> <td>o</td><td>---</td><td>o</td><td>---</td><td>WATERMAIN</td><td>---</td><td>---</td><td>CENTER LINE</td><td>---</td></tr> <tr> <td>o</td><td>---</td><td>o</td><td>---</td><td>GAS</td><td>---</td><td>---</td><td>SOUTH GUTTER</td><td>---</td></tr> <tr> <td>o</td><td>---</td><td>o</td><td>---</td><td>TRAFFIC SIGNALS</td><td>---</td><td>---</td><td></td><td>---</td></tr> <tr> <td>o</td><td>---</td><td>o</td><td>---</td><td>CONCRETE</td><td>---</td><td>---</td><td></td><td>---</td></tr> <tr> <td>o</td><td>---</td><td>o</td><td>---</td><td>CURB RENEWAL</td><td>---</td><td>---</td><td></td><td>---</td></tr> <tr> <td>o</td><td>---</td><td>o</td><td>---</td><td>ELEVATIONS</td><td>---</td><td>231.000</td><td></td><td>---</td></tr> <tr> <td>o</td><td>---</td><td>o</td><td>---</td><td>PROPERTY LINE</td><td>---</td><td>---</td><td></td><td>---</td></tr> <tr> <td>o</td><td>---</td><td>o</td><td>---</td><td>SURVEY BAR</td><td>---</td><td>---</td><td></td><td>---</td></tr> <tr> <td>o</td><td>---</td><td>o</td><td>---</td><td>GEODETIC BENCH MARK</td><td>---</td><td>---</td><td></td><td>---</td></tr> <tr> <td>o</td><td>---</td><td>o</td><td>---</td><td>RAMP CURB</td><td>---</td><td>---</td><td></td><td>---</td></tr> </table>	+	---	+	---	LDS/WWS	---	---	NORTH GUTTER	---	o	---	o	---	WATERMAIN	---	---	CENTER LINE	---	o	---	o	---	GAS	---	---	SOUTH GUTTER	---	o	---	o	---	TRAFFIC SIGNALS	---	---		---	o	---	o	---	CONCRETE	---	---		---	o	---	o	---	CURB RENEWAL	---	---		---	o	---	o	---	ELEVATIONS	---	231.000		---	o	---	o	---	PROPERTY LINE	---	---		---	o	---	o	---	SURVEY BAR	---	---		---	o	---	o	---	GEODETIC BENCH MARK	---	---		---	o	---	o	---	RAMP CURB	---	---		---	<table border="1"> <tr> <td>+</td><td>---</td><td>+</td><td>---</td><td>LDS/WWS</td><td>---</td><td>---</td><td>NORTH GUTTER</td><td>---</td></tr> <tr> <td>o</td><td>---</td><td>o</td><td>---</td><td>WATERMAIN</td><td>---</td><td>---</td><td>CENTER LINE</td><td>---</td></tr> <tr> <td>o</td><td>---</td><td>o</td><td>---</td><td>GAS</td><td>---</td><td>---</td><td>SOUTH GUTTER</td><td>---</td></tr> <tr> <td>o</td><td>---</td><td>o</td><td>---</td><td>TRAFFIC SIGNALS</td><td>---</td><td>---</td><td></td><td>---</td></tr> <tr> <td>o</td><td>---</td><td>o</td><td>---</td><td>CONCRETE</td><td>---</td><td>---</td><td></td><td>---</td></tr> <tr> <td>o</td><td>---</td><td>o</td><td>---</td><td>CURB RENEWAL</td><td>---</td><td>---</td><td></td><td>---</td></tr> <tr> <td>o</td><td>---</td><td>o</td><td>---</td><td>ELEVATIONS</td><td>---</td><td>231.000</td><td></td><td>---</td></tr> <tr> <td>o</td><td>---</td><td>o</td><td>---</td><td>PROPERTY LINE</td><td>---</td><td>---</td><td></td><td>---</td></tr> <tr> <td>o</td><td>---</td><td>o</td><td>---</td><td>SURVEY BAR</td><td>---</td><td>---</td><td></td><td>---</td></tr> <tr> <td>o</td><td>---</td><td>o</td><td>---</td><td>GEODETIC BENCH MARK</td><td>---</td><td>---</td><td></td><td>---</td></tr> <tr> <td>o</td><td>---</td><td>o</td><td>---</td><td>RAMP CURB</td><td>---</td><td>---</td><td></td><td>---</td></tr> </table>	+	---	+	---	LDS/WWS	---	---	NORTH GUTTER	---	o	---	o	---	WATERMAIN	---	---	CENTER LINE	---	o	---	o	---	GAS	---	---	SOUTH GUTTER	---	o	---	o	---	TRAFFIC SIGNALS	---	---		---	o	---	o	---	CONCRETE	---	---		---	o	---	o	---	CURB RENEWAL	---	---		---	o	---	o	---	ELEVATIONS	---	231.000		---	o	---	o	---	PROPERTY LINE	---	---		---	o	---	o	---	SURVEY BAR	---	---		---	o	---	o	---	GEODETIC BENCH MARK	---	---		---	o	---	o	---	RAMP CURB	---	---		---	<table border="1"> <tr> <td>+</td><td>---</td><td>+</td><td>---</td><td>LDS/WWS</td><td>---</td><td>---</td><td>NORTH GUTTER</td><td>---</td></tr> <tr> <td>o</td><td>---</td><td>o</td><td>---</td><td>WATERMAIN</td><td>---</td><td>---</td><td>CENTER LINE</td><td>---</td></tr> <tr> <td>o</td><td>---</td><td>o</td><td>---</td><td>GAS</td><td>---</td><td>---</td><td>SOUTH GUTTER</td><td>---</td></tr> <tr> <td>o</td><td>---</td><td>o</td><td>---</td><td>TRAFFIC SIGNALS</td><td>---</td><td>---</td><td></td><td>---</td></tr> <tr> <td>o</td><td>---</td><td>o</td><td>---</td><td>CONCRETE</td><td>---</td><td>---</td><td></td><td>---</td></tr> <tr> <td>o</td><td>---</td><td>o</td><td>---</td><td>CURB RENEWAL</td><td>---</td><td>---</td><td></td><td>---</td></tr> <tr> <td>o</td><td>---</td><td>o</td><td>---</td><td>ELEVATIONS</td><td>---</td><td>231.000</td><td></td><td>---</td></tr> <tr> <td>o</td><td>---</td><td>o</td><td>---</td><td>PROPERTY LINE</td><td>---</td><td>---</td><td></td><td>---</td></tr> <tr> <td>o</td><td>---</td><td>o</td><td>---</td><td>SURVEY BAR</td><td>---</td><td>---</td><td></td><td>---</td></tr> <tr> <td>o</td><td>---</td><td>o</td><td>---</td><td>GEODETIC BENCH MARK</td><td>---</td><td>---</td><td></td><td>---</td></tr> <tr> <td>o</td><td>---</td><td>o</td><td>---</td><td>RAMP CURB</td><td>---</td><td>---</td><td></td><td>---</td></tr> </table>	+	---	+	---	LDS/WWS	---	---	NORTH GUTTER	---	o	---	o	---	WATERMAIN	---	---	CENTER LINE	---	o	---	o	---	GAS	---	---	SOUTH GUTTER	---	o	---	o	---	TRAFFIC SIGNALS	---	---		---	o	---	o	---	CONCRETE	---	---		---	o	---	o	---	CURB RENEWAL	---	---		---	o	---	o	---	ELEVATIONS	---	231.000		---	o	---	o	---	PROPERTY LINE	---	---		---	o	---	o	---	SURVEY BAR	---	---		---	o	---	o	---	GEODETIC BENCH MARK	---	---		---	o	---	o	---	RAMP CURB	---	---		---	<table border="1"> <tr> <td>+</td><td>---</td><td>+</td><td>---</td><td>LDS/WWS</td><td>---</td><td>---</td><td>NORTH GUTTER</td><td>---</td></tr> <tr> <td>o</td><td>---</td><td>o</td><td>---</td><td>WATERMAIN</td><td>---</td><td>---</td><td>CENTER LINE</td><td>---</td></tr> <tr> <td>o</td><td>---</td><td>o</td><td>---</td><td>GAS</td><td>---</td><td>---</td><td>SOUTH GUTTER</td><td>---</td></tr> <tr> <td>o</td><td>---</td><td>o</td><td>---</td><td>TRAFFIC SIGNALS</td><td>---</td><td>---</td><td></td><td>---</td></tr> <tr> <td>o</td><td>---</td><td>o</td><td>---</td><td>CONCRETE</td><td>---</td><td>---</td><td></td><td>---</td></tr> <tr> <td>o</td><td>---</td><td>o</td><td>---</td><td>CURB RENEWAL</td><td>---</td><td>---</td><td></td><td>---</td></tr> <tr> <td>o</td><td>---</td><td>o</td><td>---</td><td>ELEVATIONS</td><td>---</td><td>231.000</td><td></td><td>---</td></tr> <tr> <td>o</td><td>---</td><td>o</td><td>---</td><td>PROPERTY LINE</td><td>---</td><td>---</td><td></td><td>---</td></tr> <tr> <td>o</td><td>---</td><td>o</td><td>---</td><td>SURVEY BAR</td><td>---</td><td>---</td><td></td><td>---</td></tr> <tr> <td>o</td><td>---</td><td>o</td><td>---</td><td>GEODETIC BENCH MARK</td><td>---</td><td>---</td><td></td><td>---</td></tr> <tr> <td>o</td><td>---</td><td>o</td><td>---</td><td>RAMP CURB</td><td>---</td><td>---</td><td></td><td>---</td></tr> </table>	+	---	+	---	LDS/WWS	---	---	NORTH GUTTER	---	o	---	o	---	WATERMAIN	---	---	CENTER LINE	---	o	---	o	---	GAS	---	---	SOUTH GUTTER	---	o	---	o	---	TRAFFIC SIGNALS	---	---		---	o	---	o	---	CONCRETE	---	---		---	o	---	o	---	CURB RENEWAL	---	---		---	o	---	o	---	ELEVATIONS	---	231.000		---	o	---	o	---	PROPERTY LINE	---	---		---	o	---	o	---	SURVEY BAR	---	---		---	o	---	o	---	GEODETIC BENCH MARK	---	---		---	o	---	o	---	RAMP CURB	---	---		---	<table border="1"> <tr> <td>+</td><td>---</td><td>+</td><td>---</td><td>LDS/WWS</td><td>---</td><td>---</td><td>NORTH GUTTER</td><td>---</td></tr> <tr> <td>o</td><td>---</td><td>o</td><td>---</td><td>WATERMAIN</td><td>---</td><td>---</td><td>CENTER LINE</td><td>---</td></tr> <tr> <td>o</td><td>---</td><td>o</td><td>---</td><td>GAS</td><td>---</td><td>---</td><td>SOUTH GUTTER</td><td>---</td></tr> <tr> <td>o</td><td>---</td><td>o</td><td>---</td><td>TRAFFIC SIGNALS</td><td>---</td><td>---</td><td></td><td>---</td></tr> <tr> <td>o</td><td>---</td><td>o</td><td>---</td><td>CONCRETE</td><td>---</td><td>---</td><td></td><td>---</td></tr> <tr> <td>o</td><td>---</td><td>o</td><td>---</td><td>CURB RENEWAL</td><td>---</td><td>---</td><td></td><td>---</td></tr> <tr> <td>o</td><td>---</td><td>o</td><td>---</td><td>ELEVATIONS</td><td>---</td><td>231.000</td><td></td><td>---</td></tr> <tr> <td>o</td><td>---</td><td>o</td><td>---</td><td>PROPERTY LINE</td><td>---</td><td>---</td><td></td><td>---</td></tr> <tr> <td>o</td><td>---</td><td>o</td><td>---</td><td>SURVEY BAR</td><td>---</td><td>---</td><td></td><td>---</td></tr> <tr> <td>o</td><td>---</td><td>o</td><td>---</td><td>GEODETIC BENCH MARK</td><td>---</td><td>---</td><td></td><td>---</td></tr> <tr> <td>o</td><td>---</td><td>o</td><td>---</td><td>RAMP CURB</td><td>---</td><td>---</td><td></td><td>---</td></tr> </table>	+	---	+	---	LDS/WWS	---	---	NORTH GUTTER	---	o	---	o	---	WATERMAIN	---	---	CENTER LINE	---	o	---	o	---	GAS	---	---	SOUTH GUTTER	---	o	---	o	---	TRAFFIC SIGNALS	---	---		---	o	---	o	---	CONCRETE	---	---		---	o	---	o	---	CURB RENEWAL	---	---		---	o	---	o	---	ELEVATIONS	---	231.000		---	o	---	o	---	PROPERTY LINE	---	---		---	o	---	o	---	SURVEY BAR	---	---		---	o	---	o	---	GEODETIC BENCH MARK	---	---		---	o	---	o	---	RAMP CURB	---	---		---	<table border="1"> <tr> <td>+</td><td>---</td><td>+</td><td>---</td><td>LDS/WWS</td><td>---</td><td>---</td><td>NORTH GUTTER</td><td>---</td></tr> <tr> <td>o</td><td>---</td><td>o</td><td>---</td><td>WATERMAIN</td><td>---</td><td>---</td><td>CENTER LINE</td><td>---</td></tr> <tr> <td>o</td><td>---</td><td>o</td><td>---</td><td>GAS</td><td>---</td><td>---</td><td>SOUTH GUTTER</td><td>---</td></tr> <tr> <td>o</td><td>---</td><td>o</td><td>---</td><td>TRAFFIC SIGNALS</td><td>---</td><td>---</td><td></td><td>---</td></tr> <tr> <td>o</td><td>---</td><td>o</td><td>---</td><td>CONCRETE</td><td>---</td><td>---</td><td></td><td>---</td></tr> <tr> <td>o</td><td>---</td><td>o</td><td>---</td><td>CURB RENEWAL</td><td>---</td><td>---</td><td></td><td>---</td></tr> <tr> <td>o</td><td>---</td><td>o</td><td>---</td><td>ELEVATIONS</td><td>---</td><td>231.000</td><td></td><td>---</td></tr> <tr> <td>o</td><td>---</td><td>o</td><td>---</td><td>PROPERTY LINE</td><td>---</td><td>---</td><td></td><td>---</td></tr> <tr> <td>o</td><td>---</td><td>o</td><td>---</td><td>SURVEY BAR</td><td>---</td><td>---</td><td></td><td>---</td></tr> <tr> <td>o</td><td>---</td><td>o</td><td>---</td><td>GEODETIC BENCH MARK</td><td>---</td><td>---</td><td></td><td>---</td></tr> <tr> <td>o</td><td>---</td><td>o</td><td>---</td><td>RAMP CURB</td><td>---</td><td>---</td><td></td><td>---</td></tr> </table>	+	---	+	---	LDS/WWS	---	---	NORTH GUTTER	---	o	---	o	---	WATERMAIN	---	---	CENTER LINE	---	o	---	o	---	GAS	---	---	SOUTH GUTTER	---	o	---	o	---	TRAFFIC SIGNALS	---	---		---	o	---	o	---	CONCRETE	---	---		---	o	---	o	---	CURB RENEWAL	---	---		---	o	---	o	---	ELEVATIONS	---	231.000		---	o	---	o	---	PROPERTY LINE	---	---		---	o	---	o	---	SURVEY BAR	---	---		---	o	---	o	---	GEODETIC BENCH MARK	---	---		---	o	---	o	---	RAMP CURB	---	---		---	<table border="1"> <tr> <td>+</td><td>---</td><td>+</td><td>---</td><td>LDS/WWS</td><td>---</td><td>---</td><td>NORTH GUTTER</td><td>---</td></tr> <tr> <td>o</td><td>---</td><td>o</td><td>---</td><td>WATERMAIN</td><td>---</td><td>---</td><td>CENTER LINE</td><td>---</td></tr> <tr> <td>o</td><td>---</td><td>o</td><td>---</td><td>GAS</td><td>---</td><td>---</td><td>SOUTH GUTTER</td><td>---</td></tr> <tr> <td>o</td><td>---</td><td>o</td><td>---</td><td>TRAFFIC SIGNALS</td><td>---</td><td>---</td><td></td><td>---</td></tr> <tr> <td>o</td><td>---</td><td>o</td><td>---</td><td>CONCRETE</td><td>---</td><td>---</td><td></td><td>---</td></tr> <tr> <td>o</td><td>---</td><td>o</td><td>---</td><td>CURB RENEWAL</td><td>---</td><td>---</td><td></td><td>---</td></tr> <tr> <td>o</td><td>---</td><td>o</td><td>---</td><td>ELEVATIONS</td><td>---</td><td>231.000</td><td></td><td>---</td></tr> <tr> <td>o</td><td>---</td><td>o</td><td>---</td><td>PROPERTY LINE</td><td>---</td><td>---</td><td></td><td>---</td></tr> <tr> <td>o</td><td>---</td><td></td></tr></table>	+	---	+	---	LDS/WWS	---	---	NORTH GUTTER	---	o	---	o	---	WATERMAIN	---	---	CENTER LINE	---	o	---	o	---	GAS	---	---	SOUTH GUTTER	---	o	---	o	---	TRAFFIC SIGNALS	---	---		---	o	---	o	---	CONCRETE	---	---		---	o	---	o	---	CURB RENEWAL	---	---		---	o	---	o	---	ELEVATIONS	---	231.000		---	o	---	o	---	PROPERTY LINE	---	---		---	o	---	
+	HYDRANT	+	---	LDS/WWS	---	---	NORTH GUTTER	---																																																																																																																																																																																																																																																																																																																																																																																																																																																																																																																																																																																																																																																																																																																																																																																																																																																																																																																																																																																																																																																																																																																																																																																																																																																																																																																																																																																																																																																																																																																																																																																																																																																																																																																																			
o	VALVE	o	---	WATERMAIN	---	---	CENTER LINE	---																																																																																																																																																																																																																																																																																																																																																																																																																																																																																																																																																																																																																																																																																																																																																																																																																																																																																																																																																																																																																																																																																																																																																																																																																																																																																																																																																																																																																																																																																																																																																																																																																																																																																																																																			
o	CURB STOP	o	---	GAS	---	---	SOUTH GUTTER	---																																																																																																																																																																																																																																																																																																																																																																																																																																																																																																																																																																																																																																																																																																																																																																																																																																																																																																																																																																																																																																																																																																																																																																																																																																																																																																																																																																																																																																																																																																																																																																																																																																																																																																																																			
o	CONCRETE SIDEWALK	o	---	TRAFFIC SIGNALS	---	---		---																																																																																																																																																																																																																																																																																																																																																																																																																																																																																																																																																																																																																																																																																																																																																																																																																																																																																																																																																																																																																																																																																																																																																																																																																																																																																																																																																																																																																																																																																																																																																																																																																																																																																																																																			
o	O.L.S.	o	---	CONCRETE	---	---		---																																																																																																																																																																																																																																																																																																																																																																																																																																																																																																																																																																																																																																																																																																																																																																																																																																																																																																																																																																																																																																																																																																																																																																																																																																																																																																																																																																																																																																																																																																																																																																																																																																																																																																																																			
o	MANHOLE	o	---	CURB RENEWAL	---	---		---																																																																																																																																																																																																																																																																																																																																																																																																																																																																																																																																																																																																																																																																																																																																																																																																																																																																																																																																																																																																																																																																																																																																																																																																																																																																																																																																																																																																																																																																																																																																																																																																																																																																																																																																			
o	CATCH BASIN	o	---	ELEVATIONS	---	231.000		---																																																																																																																																																																																																																																																																																																																																																																																																																																																																																																																																																																																																																																																																																																																																																																																																																																																																																																																																																																																																																																																																																																																																																																																																																																																																																																																																																																																																																																																																																																																																																																																																																																																																																																																																			
o	CURB INLET	o	---	PROPERTY LINE	---	---		---																																																																																																																																																																																																																																																																																																																																																																																																																																																																																																																																																																																																																																																																																																																																																																																																																																																																																																																																																																																																																																																																																																																																																																																																																																																																																																																																																																																																																																																																																																																																																																																																																																																																																																																																			
o	HYDRO POLE	o	---	SURVEY BAR	---	---		---																																																																																																																																																																																																																																																																																																																																																																																																																																																																																																																																																																																																																																																																																																																																																																																																																																																																																																																																																																																																																																																																																																																																																																																																																																																																																																																																																																																																																																																																																																																																																																																																																																																																																																																																			
o	TRAFFIC SIGNAL POLE	o	---	GEODETIC BENCH MARK	---	---		---																																																																																																																																																																																																																																																																																																																																																																																																																																																																																																																																																																																																																																																																																																																																																																																																																																																																																																																																																																																																																																																																																																																																																																																																																																																																																																																																																																																																																																																																																																																																																																																																																																																																																																																																			
o		o	---	RAMP CURB	---	---		---																																																																																																																																																																																																																																																																																																																																																																																																																																																																																																																																																																																																																																																																																																																																																																																																																																																																																																																																																																																																																																																																																																																																																																																																																																																																																																																																																																																																																																																																																																																																																																																																																																																																																																																																			
+	---	+	---	LDS/WWS	---	---	NORTH GUTTER	---																																																																																																																																																																																																																																																																																																																																																																																																																																																																																																																																																																																																																																																																																																																																																																																																																																																																																																																																																																																																																																																																																																																																																																																																																																																																																																																																																																																																																																																																																																																																																																																																																																																																																																																																			
o	---	o	---	WATERMAIN	---	---	CENTER LINE	---																																																																																																																																																																																																																																																																																																																																																																																																																																																																																																																																																																																																																																																																																																																																																																																																																																																																																																																																																																																																																																																																																																																																																																																																																																																																																																																																																																																																																																																																																																																																																																																																																																																																																																																																			
o	---	o	---	GAS	---	---	SOUTH GUTTER	---																																																																																																																																																																																																																																																																																																																																																																																																																																																																																																																																																																																																																																																																																																																																																																																																																																																																																																																																																																																																																																																																																																																																																																																																																																																																																																																																																																																																																																																																																																																																																																																																																																																																																																																																			
o	---	o	---	TRAFFIC SIGNALS	---	---		---																																																																																																																																																																																																																																																																																																																																																																																																																																																																																																																																																																																																																																																																																																																																																																																																																																																																																																																																																																																																																																																																																																																																																																																																																																																																																																																																																																																																																																																																																																																																																																																																																																																																																																																																			
o	---	o	---	CONCRETE	---	---		---																																																																																																																																																																																																																																																																																																																																																																																																																																																																																																																																																																																																																																																																																																																																																																																																																																																																																																																																																																																																																																																																																																																																																																																																																																																																																																																																																																																																																																																																																																																																																																																																																																																																																																																																			
o	---	o	---	CURB RENEWAL	---	---		---																																																																																																																																																																																																																																																																																																																																																																																																																																																																																																																																																																																																																																																																																																																																																																																																																																																																																																																																																																																																																																																																																																																																																																																																																																																																																																																																																																																																																																																																																																																																																																																																																																																																																																																																			
o	---	o	---	ELEVATIONS	---	231.000		---																																																																																																																																																																																																																																																																																																																																																																																																																																																																																																																																																																																																																																																																																																																																																																																																																																																																																																																																																																																																																																																																																																																																																																																																																																																																																																																																																																																																																																																																																																																																																																																																																																																																																																																																			
o	---	o	---	PROPERTY LINE	---	---		---																																																																																																																																																																																																																																																																																																																																																																																																																																																																																																																																																																																																																																																																																																																																																																																																																																																																																																																																																																																																																																																																																																																																																																																																																																																																																																																																																																																																																																																																																																																																																																																																																																																																																																																																			
o	---	o	---	SURVEY BAR	---	---		---																																																																																																																																																																																																																																																																																																																																																																																																																																																																																																																																																																																																																																																																																																																																																																																																																																																																																																																																																																																																																																																																																																																																																																																																																																																																																																																																																																																																																																																																																																																																																																																																																																																																																																																																			
o	---	o	---	GEODETIC BENCH MARK	---	---		---																																																																																																																																																																																																																																																																																																																																																																																																																																																																																																																																																																																																																																																																																																																																																																																																																																																																																																																																																																																																																																																																																																																																																																																																																																																																																																																																																																																																																																																																																																																																																																																																																																																																																																																																			
o	---	o	---	RAMP CURB	---	---		---																																																																																																																																																																																																																																																																																																																																																																																																																																																																																																																																																																																																																																																																																																																																																																																																																																																																																																																																																																																																																																																																																																																																																																																																																																																																																																																																																																																																																																																																																																																																																																																																																																																																																																																																			
+	---	+	---	LDS/WWS	---	---	NORTH GUTTER	---																																																																																																																																																																																																																																																																																																																																																																																																																																																																																																																																																																																																																																																																																																																																																																																																																																																																																																																																																																																																																																																																																																																																																																																																																																																																																																																																																																																																																																																																																																																																																																																																																																																																																																																																			
o	---	o	---	WATERMAIN	---	---	CENTER LINE	---																																																																																																																																																																																																																																																																																																																																																																																																																																																																																																																																																																																																																																																																																																																																																																																																																																																																																																																																																																																																																																																																																																																																																																																																																																																																																																																																																																																																																																																																																																																																																																																																																																																																																																																																			
o	---	o	---	GAS	---	---	SOUTH GUTTER	---																																																																																																																																																																																																																																																																																																																																																																																																																																																																																																																																																																																																																																																																																																																																																																																																																																																																																																																																																																																																																																																																																																																																																																																																																																																																																																																																																																																																																																																																																																																																																																																																																																																																																																																																			
o	---	o	---	TRAFFIC SIGNALS	---	---		---																																																																																																																																																																																																																																																																																																																																																																																																																																																																																																																																																																																																																																																																																																																																																																																																																																																																																																																																																																																																																																																																																																																																																																																																																																																																																																																																																																																																																																																																																																																																																																																																																																																																																																																																			
o	---	o	---	CONCRETE	---	---		---																																																																																																																																																																																																																																																																																																																																																																																																																																																																																																																																																																																																																																																																																																																																																																																																																																																																																																																																																																																																																																																																																																																																																																																																																																																																																																																																																																																																																																																																																																																																																																																																																																																																																																																																			
o	---	o	---	CURB RENEWAL	---	---		---																																																																																																																																																																																																																																																																																																																																																																																																																																																																																																																																																																																																																																																																																																																																																																																																																																																																																																																																																																																																																																																																																																																																																																																																																																																																																																																																																																																																																																																																																																																																																																																																																																																																																																																																			
o	---	o	---	ELEVATIONS	---	231.000		---																																																																																																																																																																																																																																																																																																																																																																																																																																																																																																																																																																																																																																																																																																																																																																																																																																																																																																																																																																																																																																																																																																																																																																																																																																																																																																																																																																																																																																																																																																																																																																																																																																																																																																																																			
o	---	o	---	PROPERTY LINE	---	---		---																																																																																																																																																																																																																																																																																																																																																																																																																																																																																																																																																																																																																																																																																																																																																																																																																																																																																																																																																																																																																																																																																																																																																																																																																																																																																																																																																																																																																																																																																																																																																																																																																																																																																																																																			
o	---	o	---	SURVEY BAR	---	---		---																																																																																																																																																																																																																																																																																																																																																																																																																																																																																																																																																																																																																																																																																																																																																																																																																																																																																																																																																																																																																																																																																																																																																																																																																																																																																																																																																																																																																																																																																																																																																																																																																																																																																																																																			
o	---	o	---	GEODETIC BENCH MARK	---	---		---																																																																																																																																																																																																																																																																																																																																																																																																																																																																																																																																																																																																																																																																																																																																																																																																																																																																																																																																																																																																																																																																																																																																																																																																																																																																																																																																																																																																																																																																																																																																																																																																																																																																																																																																			
o	---	o	---	RAMP CURB	---	---		---																																																																																																																																																																																																																																																																																																																																																																																																																																																																																																																																																																																																																																																																																																																																																																																																																																																																																																																																																																																																																																																																																																																																																																																																																																																																																																																																																																																																																																																																																																																																																																																																																																																																																																																																			
+	---	+	---	LDS/WWS	---	---	NORTH GUTTER	---																																																																																																																																																																																																																																																																																																																																																																																																																																																																																																																																																																																																																																																																																																																																																																																																																																																																																																																																																																																																																																																																																																																																																																																																																																																																																																																																																																																																																																																																																																																																																																																																																																																																																																																																			
o	---	o	---	WATERMAIN	---	---	CENTER LINE	---																																																																																																																																																																																																																																																																																																																																																																																																																																																																																																																																																																																																																																																																																																																																																																																																																																																																																																																																																																																																																																																																																																																																																																																																																																																																																																																																																																																																																																																																																																																																																																																																																																																																																																																																			
o	---	o	---	GAS	---	---	SOUTH GUTTER	---																																																																																																																																																																																																																																																																																																																																																																																																																																																																																																																																																																																																																																																																																																																																																																																																																																																																																																																																																																																																																																																																																																																																																																																																																																																																																																																																																																																																																																																																																																																																																																																																																																																																																																																																			
o	---	o	---	TRAFFIC SIGNALS	---	---		---																																																																																																																																																																																																																																																																																																																																																																																																																																																																																																																																																																																																																																																																																																																																																																																																																																																																																																																																																																																																																																																																																																																																																																																																																																																																																																																																																																																																																																																																																																																																																																																																																																																																																																																																			
o	---	o	---	CONCRETE	---	---		---																																																																																																																																																																																																																																																																																																																																																																																																																																																																																																																																																																																																																																																																																																																																																																																																																																																																																																																																																																																																																																																																																																																																																																																																																																																																																																																																																																																																																																																																																																																																																																																																																																																																																																																																			
o	---	o	---	CURB RENEWAL	---	---		---																																																																																																																																																																																																																																																																																																																																																																																																																																																																																																																																																																																																																																																																																																																																																																																																																																																																																																																																																																																																																																																																																																																																																																																																																																																																																																																																																																																																																																																																																																																																																																																																																																																																																																																																			
o	---	o	---	ELEVATIONS	---	231.000		---																																																																																																																																																																																																																																																																																																																																																																																																																																																																																																																																																																																																																																																																																																																																																																																																																																																																																																																																																																																																																																																																																																																																																																																																																																																																																																																																																																																																																																																																																																																																																																																																																																																																																																																																			
o	---	o	---	PROPERTY LINE	---	---		---																																																																																																																																																																																																																																																																																																																																																																																																																																																																																																																																																																																																																																																																																																																																																																																																																																																																																																																																																																																																																																																																																																																																																																																																																																																																																																																																																																																																																																																																																																																																																																																																																																																																																																																																			
o	---	o	---	SURVEY BAR	---	---		---																																																																																																																																																																																																																																																																																																																																																																																																																																																																																																																																																																																																																																																																																																																																																																																																																																																																																																																																																																																																																																																																																																																																																																																																																																																																																																																																																																																																																																																																																																																																																																																																																																																																																																																																			
o	---	o	---	GEODETIC BENCH MARK	---	---		---																																																																																																																																																																																																																																																																																																																																																																																																																																																																																																																																																																																																																																																																																																																																																																																																																																																																																																																																																																																																																																																																																																																																																																																																																																																																																																																																																																																																																																																																																																																																																																																																																																																																																																																																			
o	---	o	---	RAMP CURB	---	---		---																																																																																																																																																																																																																																																																																																																																																																																																																																																																																																																																																																																																																																																																																																																																																																																																																																																																																																																																																																																																																																																																																																																																																																																																																																																																																																																																																																																																																																																																																																																																																																																																																																																																																																																																			
+	---	+	---	LDS/WWS	---	---	NORTH GUTTER	---																																																																																																																																																																																																																																																																																																																																																																																																																																																																																																																																																																																																																																																																																																																																																																																																																																																																																																																																																																																																																																																																																																																																																																																																																																																																																																																																																																																																																																																																																																																																																																																																																																																																																																																																			
o	---	o	---	WATERMAIN	---	---	CENTER LINE	---																																																																																																																																																																																																																																																																																																																																																																																																																																																																																																																																																																																																																																																																																																																																																																																																																																																																																																																																																																																																																																																																																																																																																																																																																																																																																																																																																																																																																																																																																																																																																																																																																																																																																																																																			
o	---	o	---	GAS	---	---	SOUTH GUTTER	---																																																																																																																																																																																																																																																																																																																																																																																																																																																																																																																																																																																																																																																																																																																																																																																																																																																																																																																																																																																																																																																																																																																																																																																																																																																																																																																																																																																																																																																																																																																																																																																																																																																																																																																																			
o	---	o	---	TRAFFIC SIGNALS	---	---		---																																																																																																																																																																																																																																																																																																																																																																																																																																																																																																																																																																																																																																																																																																																																																																																																																																																																																																																																																																																																																																																																																																																																																																																																																																																																																																																																																																																																																																																																																																																																																																																																																																																																																																																																			
o	---	o	---	CONCRETE	---	---		---																																																																																																																																																																																																																																																																																																																																																																																																																																																																																																																																																																																																																																																																																																																																																																																																																																																																																																																																																																																																																																																																																																																																																																																																																																																																																																																																																																																																																																																																																																																																																																																																																																																																																																																																			
o	---	o	---	CURB RENEWAL	---	---		---																																																																																																																																																																																																																																																																																																																																																																																																																																																																																																																																																																																																																																																																																																																																																																																																																																																																																																																																																																																																																																																																																																																																																																																																																																																																																																																																																																																																																																																																																																																																																																																																																																																																																																																																			
o	---	o	---	ELEVATIONS	---	231.000		---																																																																																																																																																																																																																																																																																																																																																																																																																																																																																																																																																																																																																																																																																																																																																																																																																																																																																																																																																																																																																																																																																																																																																																																																																																																																																																																																																																																																																																																																																																																																																																																																																																																																																																																																			
o	---	o	---	PROPERTY LINE	---	---		---																																																																																																																																																																																																																																																																																																																																																																																																																																																																																																																																																																																																																																																																																																																																																																																																																																																																																																																																																																																																																																																																																																																																																																																																																																																																																																																																																																																																																																																																																																																																																																																																																																																																																																																																			
o	---	o	---	SURVEY BAR	---	---		---																																																																																																																																																																																																																																																																																																																																																																																																																																																																																																																																																																																																																																																																																																																																																																																																																																																																																																																																																																																																																																																																																																																																																																																																																																																																																																																																																																																																																																																																																																																																																																																																																																																																																																																																			
o	---	o	---	GEODETIC BENCH MARK	---	---		---																																																																																																																																																																																																																																																																																																																																																																																																																																																																																																																																																																																																																																																																																																																																																																																																																																																																																																																																																																																																																																																																																																																																																																																																																																																																																																																																																																																																																																																																																																																																																																																																																																																																																																																																			
o	---	o	---	RAMP CURB	---	---		---																																																																																																																																																																																																																																																																																																																																																																																																																																																																																																																																																																																																																																																																																																																																																																																																																																																																																																																																																																																																																																																																																																																																																																																																																																																																																																																																																																																																																																																																																																																																																																																																																																																																																																																																			
+	---	+	---	LDS/WWS	---	---	NORTH GUTTER	---																																																																																																																																																																																																																																																																																																																																																																																																																																																																																																																																																																																																																																																																																																																																																																																																																																																																																																																																																																																																																																																																																																																																																																																																																																																																																																																																																																																																																																																																																																																																																																																																																																																																																																																																			
o	---	o	---	WATERMAIN	---	---	CENTER LINE	---																																																																																																																																																																																																																																																																																																																																																																																																																																																																																																																																																																																																																																																																																																																																																																																																																																																																																																																																																																																																																																																																																																																																																																																																																																																																																																																																																																																																																																																																																																																																																																																																																																																																																																																																			
o	---	o	---	GAS	---	---	SOUTH GUTTER	---																																																																																																																																																																																																																																																																																																																																																																																																																																																																																																																																																																																																																																																																																																																																																																																																																																																																																																																																																																																																																																																																																																																																																																																																																																																																																																																																																																																																																																																																																																																																																																																																																																																																																																																																			
o	---	o	---	TRAFFIC SIGNALS	---	---		---																																																																																																																																																																																																																																																																																																																																																																																																																																																																																																																																																																																																																																																																																																																																																																																																																																																																																																																																																																																																																																																																																																																																																																																																																																																																																																																																																																																																																																																																																																																																																																																																																																																																																																																																			
o	---	o	---	CONCRETE	---	---		---																																																																																																																																																																																																																																																																																																																																																																																																																																																																																																																																																																																																																																																																																																																																																																																																																																																																																																																																																																																																																																																																																																																																																																																																																																																																																																																																																																																																																																																																																																																																																																																																																																																																																																																																			
o	---	o	---	CURB RENEWAL	---	---		---																																																																																																																																																																																																																																																																																																																																																																																																																																																																																																																																																																																																																																																																																																																																																																																																																																																																																																																																																																																																																																																																																																																																																																																																																																																																																																																																																																																																																																																																																																																																																																																																																																																																																																																																			
o	---	o	---	ELEVATIONS	---	231.000		---																																																																																																																																																																																																																																																																																																																																																																																																																																																																																																																																																																																																																																																																																																																																																																																																																																																																																																																																																																																																																																																																																																																																																																																																																																																																																																																																																																																																																																																																																																																																																																																																																																																																																																																																			
o	---	o	---	PROPERTY LINE	---	---		---																																																																																																																																																																																																																																																																																																																																																																																																																																																																																																																																																																																																																																																																																																																																																																																																																																																																																																																																																																																																																																																																																																																																																																																																																																																																																																																																																																																																																																																																																																																																																																																																																																																																																																																																			
o	---	o	---	SURVEY BAR	---	---		---																																																																																																																																																																																																																																																																																																																																																																																																																																																																																																																																																																																																																																																																																																																																																																																																																																																																																																																																																																																																																																																																																																																																																																																																																																																																																																																																																																																																																																																																																																																																																																																																																																																																																																																																			
o	---	o	---	GEODETIC BENCH MARK	---	---		---																																																																																																																																																																																																																																																																																																																																																																																																																																																																																																																																																																																																																																																																																																																																																																																																																																																																																																																																																																																																																																																																																																																																																																																																																																																																																																																																																																																																																																																																																																																																																																																																																																																																																																																																			
o	---	o	---	RAMP CURB	---	---		---																																																																																																																																																																																																																																																																																																																																																																																																																																																																																																																																																																																																																																																																																																																																																																																																																																																																																																																																																																																																																																																																																																																																																																																																																																																																																																																																																																																																																																																																																																																																																																																																																																																																																																																																			
+	---	+	---	LDS/WWS	---	---	NORTH GUTTER	---																																																																																																																																																																																																																																																																																																																																																																																																																																																																																																																																																																																																																																																																																																																																																																																																																																																																																																																																																																																																																																																																																																																																																																																																																																																																																																																																																																																																																																																																																																																																																																																																																																																																																																																																			
o	---	o	---	WATERMAIN	---	---	CENTER LINE	---																																																																																																																																																																																																																																																																																																																																																																																																																																																																																																																																																																																																																																																																																																																																																																																																																																																																																																																																																																																																																																																																																																																																																																																																																																																																																																																																																																																																																																																																																																																																																																																																																																																																																																																																			
o	---	o	---	GAS	---	---	SOUTH GUTTER	---																																																																																																																																																																																																																																																																																																																																																																																																																																																																																																																																																																																																																																																																																																																																																																																																																																																																																																																																																																																																																																																																																																																																																																																																																																																																																																																																																																																																																																																																																																																																																																																																																																																																																																																																			
o	---	o	---	TRAFFIC SIGNALS	---	---		---																																																																																																																																																																																																																																																																																																																																																																																																																																																																																																																																																																																																																																																																																																																																																																																																																																																																																																																																																																																																																																																																																																																																																																																																																																																																																																																																																																																																																																																																																																																																																																																																																																																																																																																																			
o	---	o	---	CONCRETE	---	---		---																																																																																																																																																																																																																																																																																																																																																																																																																																																																																																																																																																																																																																																																																																																																																																																																																																																																																																																																																																																																																																																																																																																																																																																																																																																																																																																																																																																																																																																																																																																																																																																																																																																																																																																																			
o	---	o	---	CURB RENEWAL	---	---		---																																																																																																																																																																																																																																																																																																																																																																																																																																																																																																																																																																																																																																																																																																																																																																																																																																																																																																																																																																																																																																																																																																																																																																																																																																																																																																																																																																																																																																																																																																																																																																																																																																																																																																																																			
o	---	o	---	ELEVATIONS	---	231.000		---																																																																																																																																																																																																																																																																																																																																																																																																																																																																																																																																																																																																																																																																																																																																																																																																																																																																																																																																																																																																																																																																																																																																																																																																																																																																																																																																																																																																																																																																																																																																																																																																																																																																																																																																			
o	---	o	---	PROPERTY LINE	---	---		---																																																																																																																																																																																																																																																																																																																																																																																																																																																																																																																																																																																																																																																																																																																																																																																																																																																																																																																																																																																																																																																																																																																																																																																																																																																																																																																																																																																																																																																																																																																																																																																																																																																																																																																																			
o	---	o	---	SURVEY BAR	---	---		---																																																																																																																																																																																																																																																																																																																																																																																																																																																																																																																																																																																																																																																																																																																																																																																																																																																																																																																																																																																																																																																																																																																																																																																																																																																																																																																																																																																																																																																																																																																																																																																																																																																																																																																																			
o	---	o	---	GEODETIC BENCH MARK	---	---		---																																																																																																																																																																																																																																																																																																																																																																																																																																																																																																																																																																																																																																																																																																																																																																																																																																																																																																																																																																																																																																																																																																																																																																																																																																																																																																																																																																																																																																																																																																																																																																																																																																																																																																																																			
o	---	o	---	RAMP CURB	---	---		---																																																																																																																																																																																																																																																																																																																																																																																																																																																																																																																																																																																																																																																																																																																																																																																																																																																																																																																																																																																																																																																																																																																																																																																																																																																																																																																																																																																																																																																																																																																																																																																																																																																																																																																																			
+	---	+	---	LDS/WWS	---	---	NORTH GUTTER	---																																																																																																																																																																																																																																																																																																																																																																																																																																																																																																																																																																																																																																																																																																																																																																																																																																																																																																																																																																																																																																																																																																																																																																																																																																																																																																																																																																																																																																																																																																																																																																																																																																																																																																																																			
o	---	o	---	WATERMAIN	---	---	CENTER LINE	---																																																																																																																																																																																																																																																																																																																																																																																																																																																																																																																																																																																																																																																																																																																																																																																																																																																																																																																																																																																																																																																																																																																																																																																																																																																																																																																																																																																																																																																																																																																																																																																																																																																																																																																																			
o	---	o	---	GAS	---	---	SOUTH GUTTER	---																																																																																																																																																																																																																																																																																																																																																																																																																																																																																																																																																																																																																																																																																																																																																																																																																																																																																																																																																																																																																																																																																																																																																																																																																																																																																																																																																																																																																																																																																																																																																																																																																																																																																																																																			
o	---	o	---	TRAFFIC SIGNALS	---	---		---																																																																																																																																																																																																																																																																																																																																																																																																																																																																																																																																																																																																																																																																																																																																																																																																																																																																																																																																																																																																																																																																																																																																																																																																																																																																																																																																																																																																																																																																																																																																																																																																																																																																																																																																			
o	---	o	---	CONCRETE	---	---		---																																																																																																																																																																																																																																																																																																																																																																																																																																																																																																																																																																																																																																																																																																																																																																																																																																																																																																																																																																																																																																																																																																																																																																																																																																																																																																																																																																																																																																																																																																																																																																																																																																																																																																																																			
o	---	o	---	CURB RENEWAL	---	---		---																																																																																																																																																																																																																																																																																																																																																																																																																																																																																																																																																																																																																																																																																																																																																																																																																																																																																																																																																																																																																																																																																																																																																																																																																																																																																																																																																																																																																																																																																																																																																																																																																																																																																																																																			
o	---	o	---	ELEVATIONS	---	231.000		---																																																																																																																																																																																																																																																																																																																																																																																																																																																																																																																																																																																																																																																																																																																																																																																																																																																																																																																																																																																																																																																																																																																																																																																																																																																																																																																																																																																																																																																																																																																																																																																																																																																																																																																																			
o	---	o	---	PROPERTY LINE	---	---		---																																																																																																																																																																																																																																																																																																																																																																																																																																																																																																																																																																																																																																																																																																																																																																																																																																																																																																																																																																																																																																																																																																																																																																																																																																																																																																																																																																																																																																																																																																																																																																																																																																																																																																																																			
o	---	o	---	SURVEY BAR	---	---		---																																																																																																																																																																																																																																																																																																																																																																																																																																																																																																																																																																																																																																																																																																																																																																																																																																																																																																																																																																																																																																																																																																																																																																																																																																																																																																																																																																																																																																																																																																																																																																																																																																																																																																																																			
o	---	o	---	GEODETIC BENCH MARK	---	---		---																																																																																																																																																																																																																																																																																																																																																																																																																																																																																																																																																																																																																																																																																																																																																																																																																																																																																																																																																																																																																																																																																																																																																																																																																																																																																																																																																																																																																																																																																																																																																																																																																																																																																																																																			
o	---	o	---	RAMP CURB	---	---		---																																																																																																																																																																																																																																																																																																																																																																																																																																																																																																																																																																																																																																																																																																																																																																																																																																																																																																																																																																																																																																																																																																																																																																																																																																																																																																																																																																																																																																																																																																																																																																																																																																																																																																																																			
+	---	+	---	LDS/WWS	---	---	NORTH GUTTER	---																																																																																																																																																																																																																																																																																																																																																																																																																																																																																																																																																																																																																																																																																																																																																																																																																																																																																																																																																																																																																																																																																																																																																																																																																																																																																																																																																																																																																																																																																																																																																																																																																																																																																																																																			
o	---	o	---	WATERMAIN	---	---	CENTER LINE	---																																																																																																																																																																																																																																																																																																																																																																																																																																																																																																																																																																																																																																																																																																																																																																																																																																																																																																																																																																																																																																																																																																																																																																																																																																																																																																																																																																																																																																																																																																																																																																																																																																																																																																																																			
o	---	o	---	GAS	---	---	SOUTH GUTTER	---																																																																																																																																																																																																																																																																																																																																																																																																																																																																																																																																																																																																																																																																																																																																																																																																																																																																																																																																																																																																																																																																																																																																																																																																																																																																																																																																																																																																																																																																																																																																																																																																																																																																																																																																			
o	---	o	---	TRAFFIC SIGNALS	---	---		---																																																																																																																																																																																																																																																																																																																																																																																																																																																																																																																																																																																																																																																																																																																																																																																																																																																																																																																																																																																																																																																																																																																																																																																																																																																																																																																																																																																																																																																																																																																																																																																																																																																																																																																																			
o	---	o	---	CONCRETE	---	---		---																																																																																																																																																																																																																																																																																																																																																																																																																																																																																																																																																																																																																																																																																																																																																																																																																																																																																																																																																																																																																																																																																																																																																																																																																																																																																																																																																																																																																																																																																																																																																																																																																																																																																																																																			
o	---	o	---	CURB RENEWAL	---	---		---																																																																																																																																																																																																																																																																																																																																																																																																																																																																																																																																																																																																																																																																																																																																																																																																																																																																																																																																																																																																																																																																																																																																																																																																																																																																																																																																																																																																																																																																																																																																																																																																																																																																																																																																			
o	---	o	---	ELEVATIONS	---	231.000		---																																																																																																																																																																																																																																																																																																																																																																																																																																																																																																																																																																																																																																																																																																																																																																																																																																																																																																																																																																																																																																																																																																																																																																																																																																																																																																																																																																																																																																																																																																																																																																																																																																																																																																																																			
o	---	o	---	PROPERTY LINE	---	---		---																																																																																																																																																																																																																																																																																																																																																																																																																																																																																																																																																																																																																																																																																																																																																																																																																																																																																																																																																																																																																																																																																																																																																																																																																																																																																																																																																																																																																																																																																																																																																																																																																																																																																																																																			
o	---	o	---	SURVEY BAR	---	---		---																																																																																																																																																																																																																																																																																																																																																																																																																																																																																																																																																																																																																																																																																																																																																																																																																																																																																																																																																																																																																																																																																																																																																																																																																																																																																																																																																																																																																																																																																																																																																																																																																																																																																																																																			
o	---	o	---	GEODETIC BENCH MARK	---	---		---																																																																																																																																																																																																																																																																																																																																																																																																																																																																																																																																																																																																																																																																																																																																																																																																																																																																																																																																																																																																																																																																																																																																																																																																																																																																																																																																																																																																																																																																																																																																																																																																																																																																																																																																			
o	---	o	---	RAMP CURB	---	---		---																																																																																																																																																																																																																																																																																																																																																																																																																																																																																																																																																																																																																																																																																																																																																																																																																																																																																																																																																																																																																																																																																																																																																																																																																																																																																																																																																																																																																																																																																																																																																																																																																																																																																																																																			
+	---	+	---	LDS/WWS	---	---	NORTH GUTTER	---																																																																																																																																																																																																																																																																																																																																																																																																																																																																																																																																																																																																																																																																																																																																																																																																																																																																																																																																																																																																																																																																																																																																																																																																																																																																																																																																																																																																																																																																																																																																																																																																																																																																																																																																			
o	---	o	---	WATERMAIN	---	---	CENTER LINE	---																																																																																																																																																																																																																																																																																																																																																																																																																																																																																																																																																																																																																																																																																																																																																																																																																																																																																																																																																																																																																																																																																																																																																																																																																																																																																																																																																																																																																																																																																																																																																																																																																																																																																																																																			
o	---	o	---	GAS	---	---	SOUTH GUTTER	---																																																																																																																																																																																																																																																																																																																																																																																																																																																																																																																																																																																																																																																																																																																																																																																																																																																																																																																																																																																																																																																																																																																																																																																																																																																																																																																																																																																																																																																																																																																																																																																																																																																																																																																																			
o	---	o	---	TRAFFIC SIGNALS	---	---		---																																																																																																																																																																																																																																																																																																																																																																																																																																																																																																																																																																																																																																																																																																																																																																																																																																																																																																																																																																																																																																																																																																																																																																																																																																																																																																																																																																																																																																																																																																																																																																																																																																																																																																																																			
o	---	o	---	CONCRETE	---	---		---																																																																																																																																																																																																																																																																																																																																																																																																																																																																																																																																																																																																																																																																																																																																																																																																																																																																																																																																																																																																																																																																																																																																																																																																																																																																																																																																																																																																																																																																																																																																																																																																																																																																																																																																			
o	---	o	---	CURB RENEWAL	---	---		---																																																																																																																																																																																																																																																																																																																																																																																																																																																																																																																																																																																																																																																																																																																																																																																																																																																																																																																																																																																																																																																																																																																																																																																																																																																																																																																																																																																																																																																																																																																																																																																																																																																																																																																																			
o	---	o	---	ELEVATIONS	---	231.000		---																																																																																																																																																																																																																																																																																																																																																																																																																																																																																																																																																																																																																																																																																																																																																																																																																																																																																																																																																																																																																																																																																																																																																																																																																																																																																																																																																																																																																																																																																																																																																																																																																																																																																																																																			
o	---	o	---	PROPERTY LINE	---	---		---																																																																																																																																																																																																																																																																																																																																																																																																																																																																																																																																																																																																																																																																																																																																																																																																																																																																																																																																																																																																																																																																																																																																																																																																																																																																																																																																																																																																																																																																																																																																																																																																																																																																																																																																			
o	---	o	---	SURVEY BAR	---	---		---																																																																																																																																																																																																																																																																																																																																																																																																																																																																																																																																																																																																																																																																																																																																																																																																																																																																																																																																																																																																																																																																																																																																																																																																																																																																																																																																																																																																																																																																																																																																																																																																																																																																																																																																			
o	---	o	---	GEODETIC BENCH MARK	---	---		---																																																																																																																																																																																																																																																																																																																																																																																																																																																																																																																																																																																																																																																																																																																																																																																																																																																																																																																																																																																																																																																																																																																																																																																																																																																																																																																																																																																																																																																																																																																																																																																																																																																																																																																																			
o	---	o	---	RAMP CURB	---	---		---																																																																																																																																																																																																																																																																																																																																																																																																																																																																																																																																																																																																																																																																																																																																																																																																																																																																																																																																																																																																																																																																																																																																																																																																																																																																																																																																																																																																																																																																																																																																																																																																																																																																																																																																			
+	---	+	---	LDS/WWS	---	---	NORTH GUTTER	---																																																																																																																																																																																																																																																																																																																																																																																																																																																																																																																																																																																																																																																																																																																																																																																																																																																																																																																																																																																																																																																																																																																																																																																																																																																																																																																																																																																																																																																																																																																																																																																																																																																																																																																																			
o	---	o	---	WATERMAIN	---	---	CENTER LINE	---																																																																																																																																																																																																																																																																																																																																																																																																																																																																																																																																																																																																																																																																																																																																																																																																																																																																																																																																																																																																																																																																																																																																																																																																																																																																																																																																																																																																																																																																																																																																																																																																																																																																																																																																			
o	---	o	---	GAS	---	---	SOUTH GUTTER	---																																																																																																																																																																																																																																																																																																																																																																																																																																																																																																																																																																																																																																																																																																																																																																																																																																																																																																																																																																																																																																																																																																																																																																																																																																																																																																																																																																																																																																																																																																																																																																																																																																																																																																																																			
o	---	o	---	TRAFFIC SIGNALS	---	---		---																																																																																																																																																																																																																																																																																																																																																																																																																																																																																																																																																																																																																																																																																																																																																																																																																																																																																																																																																																																																																																																																																																																																																																																																																																																																																																																																																																																																																																																																																																																																																																																																																																																																																																																																			
o	---	o	---	CONCRETE	---	---		---																																																																																																																																																																																																																																																																																																																																																																																																																																																																																																																																																																																																																																																																																																																																																																																																																																																																																																																																																																																																																																																																																																																																																																																																																																																																																																																																																																																																																																																																																																																																																																																																																																																																																																																																			
o	---	o	---	CURB RENEWAL	---	---		---																																																																																																																																																																																																																																																																																																																																																																																																																																																																																																																																																																																																																																																																																																																																																																																																																																																																																																																																																																																																																																																																																																																																																																																																																																																																																																																																																																																																																																																																																																																																																																																																																																																																																																																																			
o	---	o	---	ELEVATIONS	---	231.000		---																																																																																																																																																																																																																																																																																																																																																																																																																																																																																																																																																																																																																																																																																																																																																																																																																																																																																																																																																																																																																																																																																																																																																																																																																																																																																																																																																																																																																																																																																																																																																																																																																																																																																																																																			
o	---	o	---	PROPERTY LINE	---	---		---																																																																																																																																																																																																																																																																																																																																																																																																																																																																																																																																																																																																																																																																																																																																																																																																																																																																																																																																																																																																																																																																																																																																																																																																																																																																																																																																																																																																																																																																																																																																																																																																																																																																																																																																			
o	---	o	---	SURVEY BAR	---	---		---																																																																																																																																																																																																																																																																																																																																																																																																																																																																																																																																																																																																																																																																																																																																																																																																																																																																																																																																																																																																																																																																																																																																																																																																																																																																																																																																																																																																																																																																																																																																																																																																																																																																																																																																			
o	---	o	---	GEODETIC BENCH MARK	---	---		---																																																																																																																																																																																																																																																																																																																																																																																																																																																																																																																																																																																																																																																																																																																																																																																																																																																																																																																																																																																																																																																																																																																																																																																																																																																																																																																																																																																																																																																																																																																																																																																																																																																																																																																																			
o	---	o	---	RAMP CURB	---	---		---																																																																																																																																																																																																																																																																																																																																																																																																																																																																																																																																																																																																																																																																																																																																																																																																																																																																																																																																																																																																																																																																																																																																																																																																																																																																																																																																																																																																																																																																																																																																																																																																																																																																																																																																			
+	---	+	---	LDS/WWS	---	---	NORTH GUTTER	---																																																																																																																																																																																																																																																																																																																																																																																																																																																																																																																																																																																																																																																																																																																																																																																																																																																																																																																																																																																																																																																																																																																																																																																																																																																																																																																																																																																																																																																																																																																																																																																																																																																																																																																																			
o	---	o	---	WATERMAIN	---	---	CENTER LINE	---																																																																																																																																																																																																																																																																																																																																																																																																																																																																																																																																																																																																																																																																																																																																																																																																																																																																																																																																																																																																																																																																																																																																																																																																																																																																																																																																																																																																																																																																																																																																																																																																																																																																																																																																			
o	---	o	---	GAS	---	---	SOUTH GUTTER	---																																																																																																																																																																																																																																																																																																																																																																																																																																																																																																																																																																																																																																																																																																																																																																																																																																																																																																																																																																																																																																																																																																																																																																																																																																																																																																																																																																																																																																																																																																																																																																																																																																																																																																																																			
o	---	o	---	TRAFFIC SIGNALS	---	---		---																																																																																																																																																																																																																																																																																																																																																																																																																																																																																																																																																																																																																																																																																																																																																																																																																																																																																																																																																																																																																																																																																																																																																																																																																																																																																																																																																																																																																																																																																																																																																																																																																																																																																																																																			
o	---	o	---	CONCRETE	---	---		---																																																																																																																																																																																																																																																																																																																																																																																																																																																																																																																																																																																																																																																																																																																																																																																																																																																																																																																																																																																																																																																																																																																																																																																																																																																																																																																																																																																																																																																																																																																																																																																																																																																																																																																																			
o	---	o	---	CURB RENEWAL	---	---		---																																																																																																																																																																																																																																																																																																																																																																																																																																																																																																																																																																																																																																																																																																																																																																																																																																																																																																																																																																																																																																																																																																																																																																																																																																																																																																																																																																																																																																																																																																																																																																																																																																																																																																																																			
o	---	o	---	ELEVATIONS	---	231.000		---																																																																																																																																																																																																																																																																																																																																																																																																																																																																																																																																																																																																																																																																																																																																																																																																																																																																																																																																																																																																																																																																																																																																																																																																																																																																																																																																																																																																																																																																																																																																																																																																																																																																																																																																			
o	---	o	---	PROPERTY LINE	---	---		---																																																																																																																																																																																																																																																																																																																																																																																																																																																																																																																																																																																																																																																																																																																																																																																																																																																																																																																																																																																																																																																																																																																																																																																																																																																																																																																																																																																																																																																																																																																																																																																																																																																																																																																																			
o	---	o	---	SURVEY BAR	---	---		---																																																																																																																																																																																																																																																																																																																																																																																																																																																																																																																																																																																																																																																																																																																																																																																																																																																																																																																																																																																																																																																																																																																																																																																																																																																																																																																																																																																																																																																																																																																																																																																																																																																																																																																																			
o	---	o	---	GEODETIC BENCH MARK	---	---		---																																																																																																																																																																																																																																																																																																																																																																																																																																																																																																																																																																																																																																																																																																																																																																																																																																																																																																																																																																																																																																																																																																																																																																																																																																																																																																																																																																																																																																																																																																																																																																																																																																																																																																																																			
o	---	o	---	RAMP CURB	---	---		---																																																																																																																																																																																																																																																																																																																																																																																																																																																																																																																																																																																																																																																																																																																																																																																																																																																																																																																																																																																																																																																																																																																																																																																																																																																																																																																																																																																																																																																																																																																																																																																																																																																																																																																																			
+	---	+	---	LDS/WWS	---	---	NORTH GUTTER	---																																																																																																																																																																																																																																																																																																																																																																																																																																																																																																																																																																																																																																																																																																																																																																																																																																																																																																																																																																																																																																																																																																																																																																																																																																																																																																																																																																																																																																																																																																																																																																																																																																																																																																																																			
o	---	o	---	WATERMAIN	---	---	CENTER LINE	---																																																																																																																																																																																																																																																																																																																																																																																																																																																																																																																																																																																																																																																																																																																																																																																																																																																																																																																																																																																																																																																																																																																																																																																																																																																																																																																																																																																																																																																																																																																																																																																																																																																																																																																																			
o	---	o	---	GAS	---	---	SOUTH GUTTER	---																																																																																																																																																																																																																																																																																																																																																																																																																																																																																																																																																																																																																																																																																																																																																																																																																																																																																																																																																																																																																																																																																																																																																																																																																																																																																																																																																																																																																																																																																																																																																																																																																																																																																																																																			
o	---	o	---	TRAFFIC SIGNALS	---	---		---																																																																																																																																																																																																																																																																																																																																																																																																																																																																																																																																																																																																																																																																																																																																																																																																																																																																																																																																																																																																																																																																																																																																																																																																																																																																																																																																																																																																																																																																																																																																																																																																																																																																																																																																			
o	---	o	---	CONCRETE	---	---		---																																																																																																																																																																																																																																																																																																																																																																																																																																																																																																																																																																																																																																																																																																																																																																																																																																																																																																																																																																																																																																																																																																																																																																																																																																																																																																																																																																																																																																																																																																																																																																																																																																																																																																																																			
o	---	o	---	CURB RENEWAL	---	---		---																																																																																																																																																																																																																																																																																																																																																																																																																																																																																																																																																																																																																																																																																																																																																																																																																																																																																																																																																																																																																																																																																																																																																																																																																																																																																																																																																																																																																																																																																																																																																																																																																																																																																																																																			
o	---	o	---	ELEVATIONS	---	231.000		---																																																																																																																																																																																																																																																																																																																																																																																																																																																																																																																																																																																																																																																																																																																																																																																																																																																																																																																																																																																																																																																																																																																																																																																																																																																																																																																																																																																																																																																																																																																																																																																																																																																																																																																																			
o	---	o	---	PROPERTY LINE	---	---		---																																																																																																																																																																																																																																																																																																																																																																																																																																																																																																																																																																																																																																																																																																																																																																																																																																																																																																																																																																																																																																																																																																																																																																																																																																																																																																																																																																																																																																																																																																																																																																																																																																																																																																																																			
o	---	o	---	SURVEY BAR	---	---		---																																																																																																																																																																																																																																																																																																																																																																																																																																																																																																																																																																																																																																																																																																																																																																																																																																																																																																																																																																																																																																																																																																																																																																																																																																																																																																																																																																																																																																																																																																																																																																																																																																																																																																																																			
o	---	o	---	GEODETIC BENCH MARK	---	---		---																																																																																																																																																																																																																																																																																																																																																																																																																																																																																																																																																																																																																																																																																																																																																																																																																																																																																																																																																																																																																																																																																																																																																																																																																																																																																																																																																																																																																																																																																																																																																																																																																																																																																																																																			
o	---	o	---	RAMP CURB	---	---		---																																																																																																																																																																																																																																																																																																																																																																																																																																																																																																																																																																																																																																																																																																																																																																																																																																																																																																																																																																																																																																																																																																																																																																																																																																																																																																																																																																																																																																																																																																																																																																																																																																																																																																																																			
+	---	+	---	LDS/WWS	---	---	NORTH GUTTER	---																																																																																																																																																																																																																																																																																																																																																																																																																																																																																																																																																																																																																																																																																																																																																																																																																																																																																																																																																																																																																																																																																																																																																																																																																																																																																																																																																																																																																																																																																																																																																																																																																																																																																																																																			
o	---	o	---	WATERMAIN	---	---	CENTER LINE	---																																																																																																																																																																																																																																																																																																																																																																																																																																																																																																																																																																																																																																																																																																																																																																																																																																																																																																																																																																																																																																																																																																																																																																																																																																																																																																																																																																																																																																																																																																																																																																																																																																																																																																																																			
o	---	o	---	GAS	---	---	SOUTH GUTTER	---																																																																																																																																																																																																																																																																																																																																																																																																																																																																																																																																																																																																																																																																																																																																																																																																																																																																																																																																																																																																																																																																																																																																																																																																																																																																																																																																																																																																																																																																																																																																																																																																																																																																																																																																			
o	---	o	---	TRAFFIC SIGNALS	---	---		---																																																																																																																																																																																																																																																																																																																																																																																																																																																																																																																																																																																																																																																																																																																																																																																																																																																																																																																																																																																																																																																																																																																																																																																																																																																																																																																																																																																																																																																																																																																																																																																																																																																																																																																																			
o	---	o	---	CONCRETE	---	---		---																																																																																																																																																																																																																																																																																																																																																																																																																																																																																																																																																																																																																																																																																																																																																																																																																																																																																																																																																																																																																																																																																																																																																																																																																																																																																																																																																																																																																																																																																																																																																																																																																																																																																																																																			
o	---	o	---	CURB RENEWAL	---	---		---																																																																																																																																																																																																																																																																																																																																																																																																																																																																																																																																																																																																																																																																																																																																																																																																																																																																																																																																																																																																																																																																																																																																																																																																																																																																																																																																																																																																																																																																																																																																																																																																																																																																																																																																			
o	---	o	---	ELEVATIONS	---	231.000		---																																																																																																																																																																																																																																																																																																																																																																																																																																																																																																																																																																																																																																																																																																																																																																																																																																																																																																																																																																																																																																																																																																																																																																																																																																																																																																																																																																																																																																																																																																																																																																																																																																																																																																																																			
o	---	o	---	PROPERTY LINE	---	---		---																																																																																																																																																																																																																																																																																																																																																																																																																																																																																																																																																																																																																																																																																																																																																																																																																																																																																																																																																																																																																																																																																																																																																																																																																																																																																																																																																																																																																																																																																																																																																																																																																																																																																																																																			
o	---	o	---	SURVEY BAR	---	---		---																																																																																																																																																																																																																																																																																																																																																																																																																																																																																																																																																																																																																																																																																																																																																																																																																																																																																																																																																																																																																																																																																																																																																																																																																																																																																																																																																																																																																																																																																																																																																																																																																																																																																																																																			
o	---	o	---	GEODETIC BENCH MARK	---	---		---																																																																																																																																																																																																																																																																																																																																																																																																																																																																																																																																																																																																																																																																																																																																																																																																																																																																																																																																																																																																																																																																																																																																																																																																																																																																																																																																																																																																																																																																																																																																																																																																																																																																																																																																			
o	---	o	---	RAMP CURB	---	---		---																																																																																																																																																																																																																																																																																																																																																																																																																																																																																																																																																																																																																																																																																																																																																																																																																																																																																																																																																																																																																																																																																																																																																																																																																																																																																																																																																																																																																																																																																																																																																																																																																																																																																																																																			
+	---	+	---	LDS/WWS	---	---	NORTH GUTTER	---																																																																																																																																																																																																																																																																																																																																																																																																																																																																																																																																																																																																																																																																																																																																																																																																																																																																																																																																																																																																																																																																																																																																																																																																																																																																																																																																																																																																																																																																																																																																																																																																																																																																																																																																			
o	---	o	---	WATERMAIN	---	---	CENTER LINE	---																																																																																																																																																																																																																																																																																																																																																																																																																																																																																																																																																																																																																																																																																																																																																																																																																																																																																																																																																																																																																																																																																																																																																																																																																																																																																																																																																																																																																																																																																																																																																																																																																																																																																																																																			
o	---	o	---	GAS	---	---	SOUTH GUTTER	---																																																																																																																																																																																																																																																																																																																																																																																																																																																																																																																																																																																																																																																																																																																																																																																																																																																																																																																																																																																																																																																																																																																																																																																																																																																																																																																																																																																																																																																																																																																																																																																																																																																																																																																																			
o	---	o	---	TRAFFIC SIGNALS	---	---		---																																																																																																																																																																																																																																																																																																																																																																																																																																																																																																																																																																																																																																																																																																																																																																																																																																																																																																																																																																																																																																																																																																																																																																																																																																																																																																																																																																																																																																																																																																																																																																																																																																																																																																																																			
o	---	o	---	CONCRETE	---	---		---																																																																																																																																																																																																																																																																																																																																																																																																																																																																																																																																																																																																																																																																																																																																																																																																																																																																																																																																																																																																																																																																																																																																																																																																																																																																																																																																																																																																																																																																																																																																																																																																																																																																																																																																			
o	---	o	---	CURB RENEWAL	---	---		---																																																																																																																																																																																																																																																																																																																																																																																																																																																																																																																																																																																																																																																																																																																																																																																																																																																																																																																																																																																																																																																																																																																																																																																																																																																																																																																																																																																																																																																																																																																																																																																																																																																																																																																																			
o	---	o	---	ELEVATIONS	---	231.000		---																																																																																																																																																																																																																																																																																																																																																																																																																																																																																																																																																																																																																																																																																																																																																																																																																																																																																																																																																																																																																																																																																																																																																																																																																																																																																																																																																																																																																																																																																																																																																																																																																																																																																																																																			
o	---	o	---	PROPERTY LINE	---	---		---																																																																																																																																																																																																																																																																																																																																																																																																																																																																																																																																																																																																																																																																																																																																																																																																																																																																																																																																																																																																																																																																																																																																																																																																																																																																																																																																																																																																																																																																																																																																																																																																																																																																																																																																			
o	---	o	---	SURVEY BAR	---	---		---																																																																																																																																																																																																																																																																																																																																																																																																																																																																																																																																																																																																																																																																																																																																																																																																																																																																																																																																																																																																																																																																																																																																																																																																																																																																																																																																																																																																																																																																																																																																																																																																																																																																																																																																			
o	---	o	---	GEODETIC BENCH MARK	---	---		---																																																																																																																																																																																																																																																																																																																																																																																																																																																																																																																																																																																																																																																																																																																																																																																																																																																																																																																																																																																																																																																																																																																																																																																																																																																																																																																																																																																																																																																																																																																																																																																																																																																																																																																																			
o	---	o	---	RAMP CURB	---	---		---																																																																																																																																																																																																																																																																																																																																																																																																																																																																																																																																																																																																																																																																																																																																																																																																																																																																																																																																																																																																																																																																																																																																																																																																																																																																																																																																																																																																																																																																																																																																																																																																																																																																																																																																			
+	---	+	---	LDS/WWS	---	---	NORTH GUTTER	---																																																																																																																																																																																																																																																																																																																																																																																																																																																																																																																																																																																																																																																																																																																																																																																																																																																																																																																																																																																																																																																																																																																																																																																																																																																																																																																																																																																																																																																																																																																																																																																																																																																																																																																																			
o	---	o	---	WATERMAIN	---	---	CENTER LINE	---																																																																																																																																																																																																																																																																																																																																																																																																																																																																																																																																																																																																																																																																																																																																																																																																																																																																																																																																																																																																																																																																																																																																																																																																																																																																																																																																																																																																																																																																																																																																																																																																																																																																																																																																			
o	---	o	---	GAS	---	---	SOUTH GUTTER	---																																																																																																																																																																																																																																																																																																																																																																																																																																																																																																																																																																																																																																																																																																																																																																																																																																																																																																																																																																																																																																																																																																																																																																																																																																																																																																																																																																																																																																																																																																																																																																																																																																																																																																																																			
o	---	o	---	TRAFFIC SIGNALS	---	---		---																																																																																																																																																																																																																																																																																																																																																																																																																																																																																																																																																																																																																																																																																																																																																																																																																																																																																																																																																																																																																																																																																																																																																																																																																																																																																																																																																																																																																																																																																																																																																																																																																																																																																																																																			
o	---	o	---	CONCRETE	---	---		---																																																																																																																																																																																																																																																																																																																																																																																																																																																																																																																																																																																																																																																																																																																																																																																																																																																																																																																																																																																																																																																																																																																																																																																																																																																																																																																																																																																																																																																																																																																																																																																																																																																																																																																																			
o	---	o	---	CURB RENEWAL	---	---		---																																																																																																																																																																																																																																																																																																																																																																																																																																																																																																																																																																																																																																																																																																																																																																																																																																																																																																																																																																																																																																																																																																																																																																																																																																																																																																																																																																																																																																																																																																																																																																																																																																																																																																																																			
o	---	o	---	ELEVATIONS	---	231.000		---																																																																																																																																																																																																																																																																																																																																																																																																																																																																																																																																																																																																																																																																																																																																																																																																																																																																																																																																																																																																																																																																																																																																																																																																																																																																																																																																																																																																																																																																																																																																																																																																																																																																																																																																			
o	---	o	---	PROPERTY LINE	---	---		---																																																																																																																																																																																																																																																																																																																																																																																																																																																																																																																																																																																																																																																																																																																																																																																																																																																																																																																																																																																																																																																																																																																																																																																																																																																																																																																																																																																																																																																																																																																																																																																																																																																																																																																																			
o	---	o	---	SURVEY BAR	---	---		---																																																																																																																																																																																																																																																																																																																																																																																																																																																																																																																																																																																																																																																																																																																																																																																																																																																																																																																																																																																																																																																																																																																																																																																																																																																																																																																																																																																																																																																																																																																																																																																																																																																																																																																																			
o	---	o	---	GEODETIC BENCH MARK	---	---		---																																																																																																																																																																																																																																																																																																																																																																																																																																																																																																																																																																																																																																																																																																																																																																																																																																																																																																																																																																																																																																																																																																																																																																																																																																																																																																																																																																																																																																																																																																																																																																																																																																																																																																																																			
o	---	o	---	RAMP CURB	---	---		---																																																																																																																																																																																																																																																																																																																																																																																																																																																																																																																																																																																																																																																																																																																																																																																																																																																																																																																																																																																																																																																																																																																																																																																																																																																																																																																																																																																																																																																																																																																																																																																																																																																																																																																																			
+	---	+	---	LDS/WWS	---	---	NORTH GUTTER	---																																																																																																																																																																																																																																																																																																																																																																																																																																																																																																																																																																																																																																																																																																																																																																																																																																																																																																																																																																																																																																																																																																																																																																																																																																																																																																																																																																																																																																																																																																																																																																																																																																																																																																																																			
o	---	o	---	WATERMAIN	---	---	CENTER LINE	---																																																																																																																																																																																																																																																																																																																																																																																																																																																																																																																																																																																																																																																																																																																																																																																																																																																																																																																																																																																																																																																																																																																																																																																																																																																																																																																																																																																																																																																																																																																																																																																																																																																																																																																																			
o	---	o	---	GAS	---	---	SOUTH GUTTER	---																																																																																																																																																																																																																																																																																																																																																																																																																																																																																																																																																																																																																																																																																																																																																																																																																																																																																																																																																																																																																																																																																																																																																																																																																																																																																																																																																																																																																																																																																																																																																																																																																																																																																																																																			
o	---	o	---	TRAFFIC SIGNALS	---	---		---																																																																																																																																																																																																																																																																																																																																																																																																																																																																																																																																																																																																																																																																																																																																																																																																																																																																																																																																																																																																																																																																																																																																																																																																																																																																																																																																																																																																																																																																																																																																																																																																																																																																																																																																			
o	---	o	---	CONCRETE	---	---		---																																																																																																																																																																																																																																																																																																																																																																																																																																																																																																																																																																																																																																																																																																																																																																																																																																																																																																																																																																																																																																																																																																																																																																																																																																																																																																																																																																																																																																																																																																																																																																																																																																																																																																																																			
o	---	o	---	CURB RENEWAL	---	---		---																																																																																																																																																																																																																																																																																																																																																																																																																																																																																																																																																																																																																																																																																																																																																																																																																																																																																																																																																																																																																																																																																																																																																																																																																																																																																																																																																																																																																																																																																																																																																																																																																																																																																																																																			
o	---	o	---	ELEVATIONS	---	231.000		---																																																																																																																																																																																																																																																																																																																																																																																																																																																																																																																																																																																																																																																																																																																																																																																																																																																																																																																																																																																																																																																																																																																																																																																																																																																																																																																																																																																																																																																																																																																																																																																																																																																																																																																																			
o	---	o	---	PROPERTY LINE	---	---		---																																																																																																																																																																																																																																																																																																																																																																																																																																																																																																																																																																																																																																																																																																																																																																																																																																																																																																																																																																																																																																																																																																																																																																																																																																																																																																																																																																																																																																																																																																																																																																																																																																																																																																																																			
o	---																																																																																																																																																																																																																																																																																																																																																																																																																																																																																																																																																																																																																																																																																																																																																																																																																																																																																																																																																																																																																																																																																																																																																																																																																																																																																																																																																																																																																																																																																																																																																																																																																																																																																																																																										