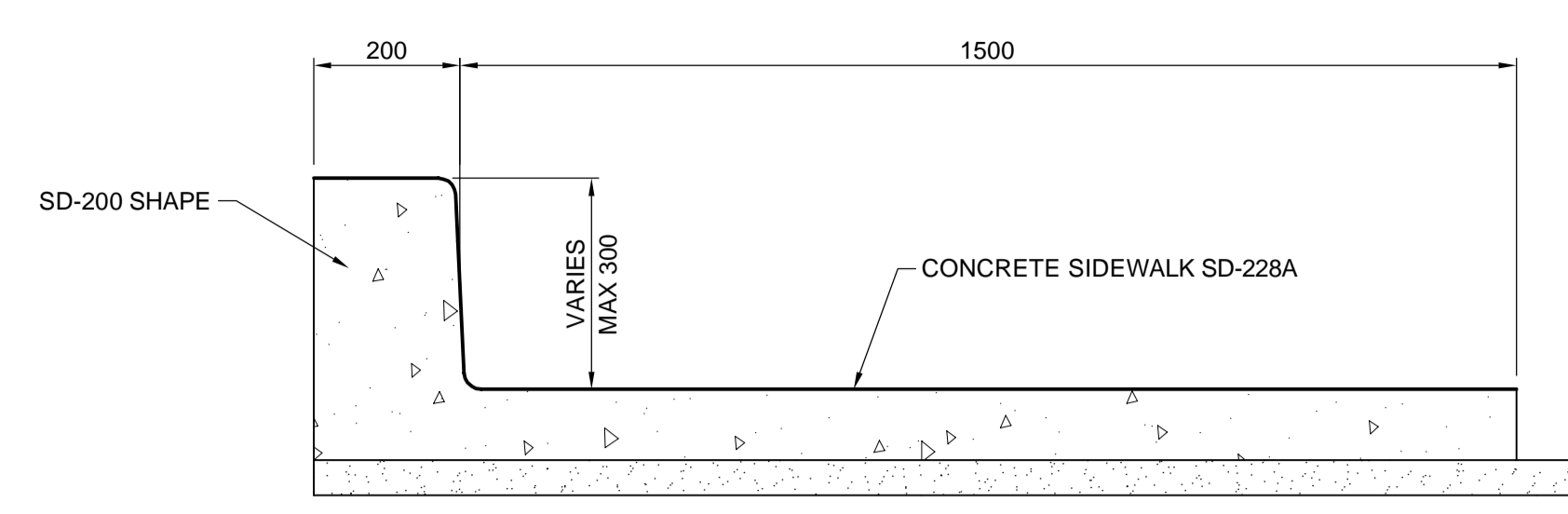
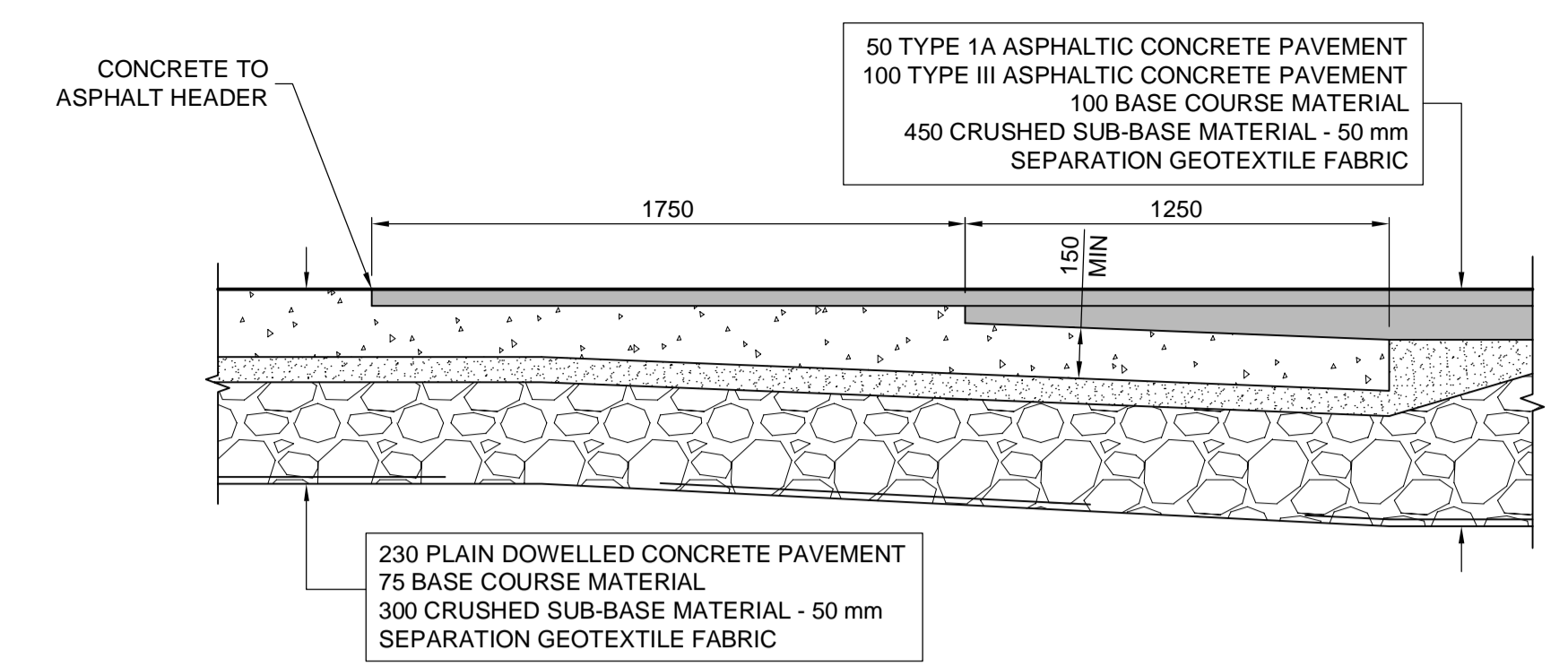


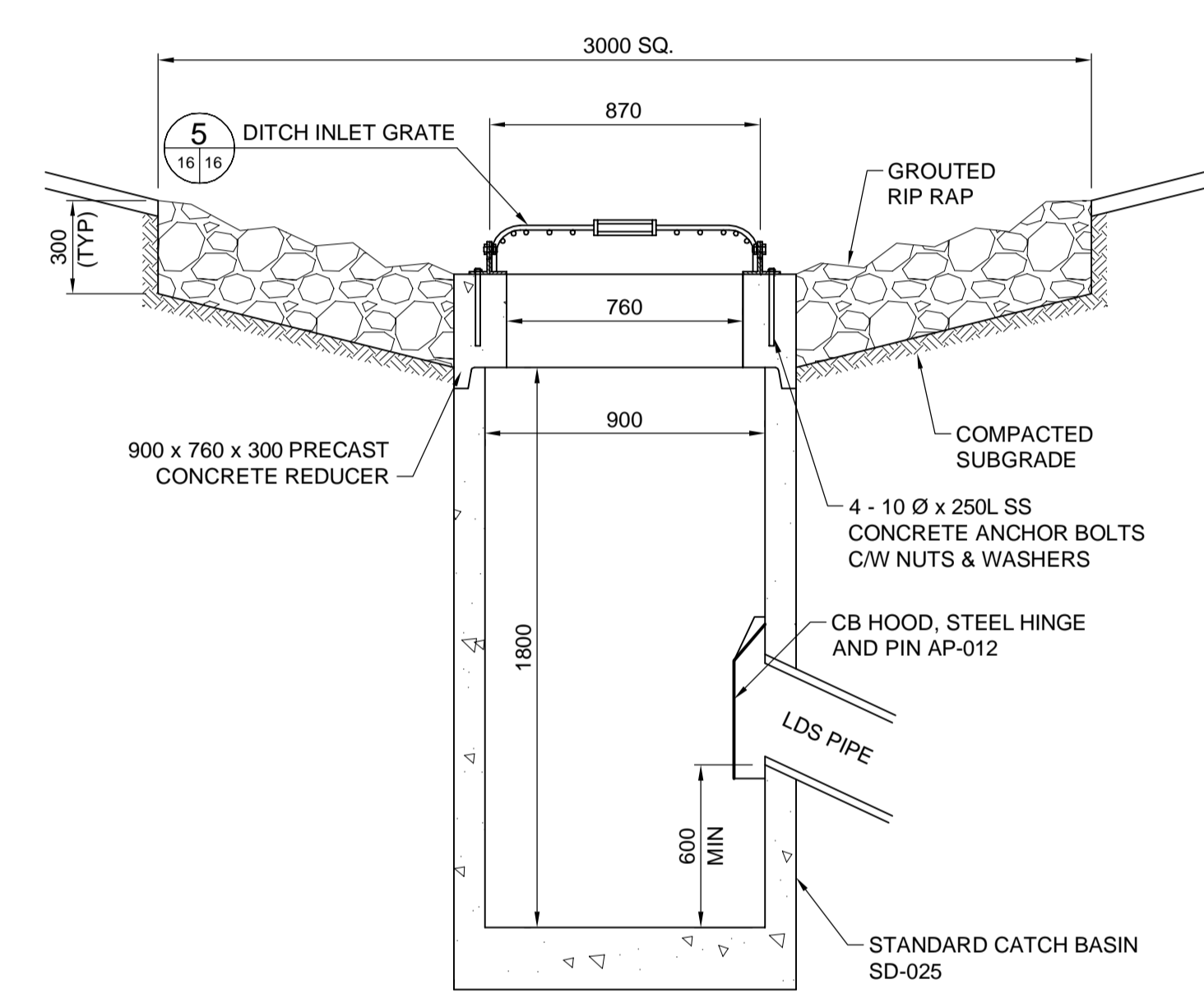
1 TYPICAL CONCRETE SPLITTER ISLAND & PAVER DETAIL
SCALE 1:10



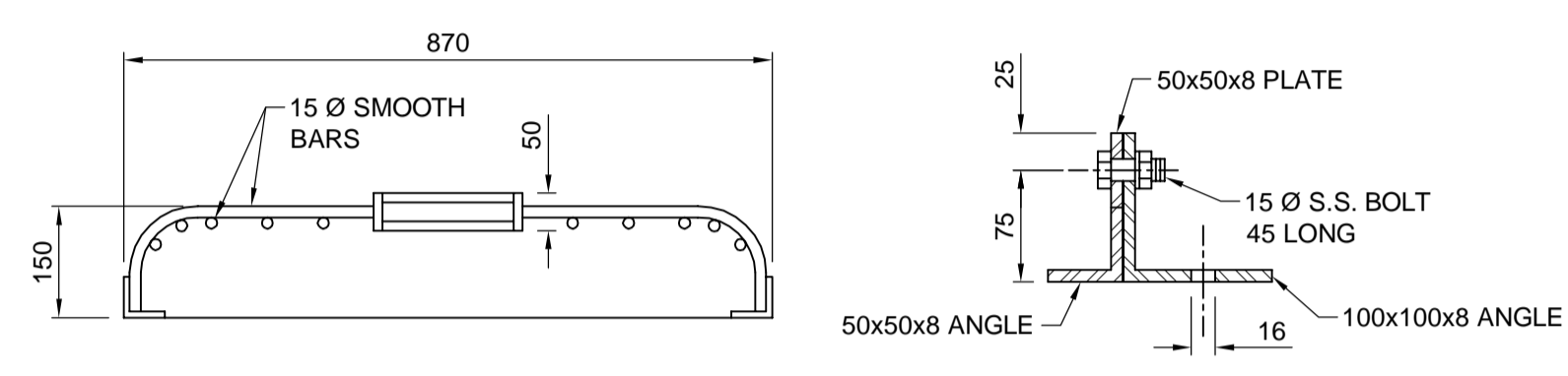
2 SIDEWALK CURB DETAIL
SCALE 1:10



3 CONCRETE TO ASPHALT PAVEMENT TRANSITION
SCALE 1:20

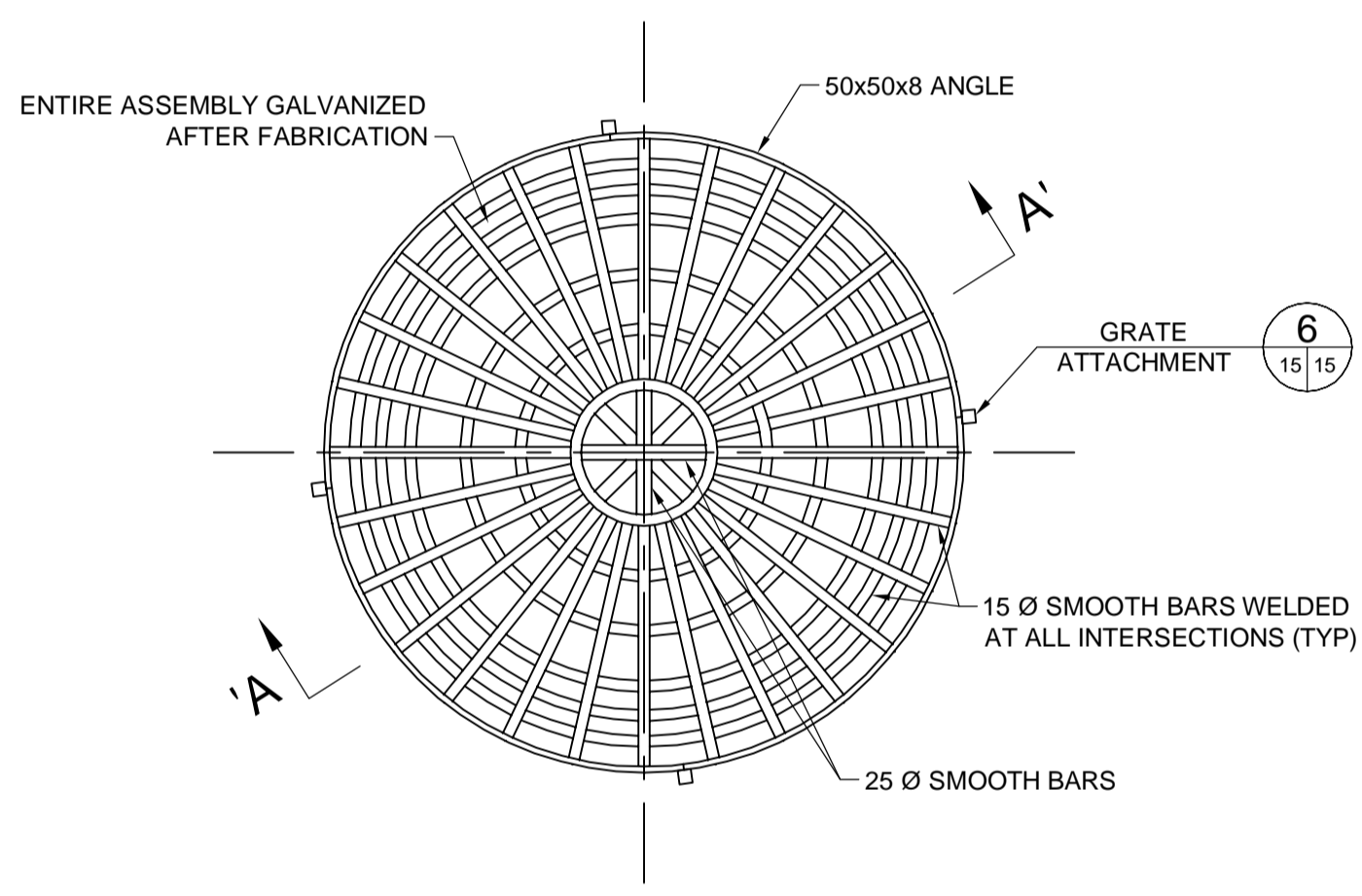


4 CATCH BASIN DETAIL
SCALE 1:20

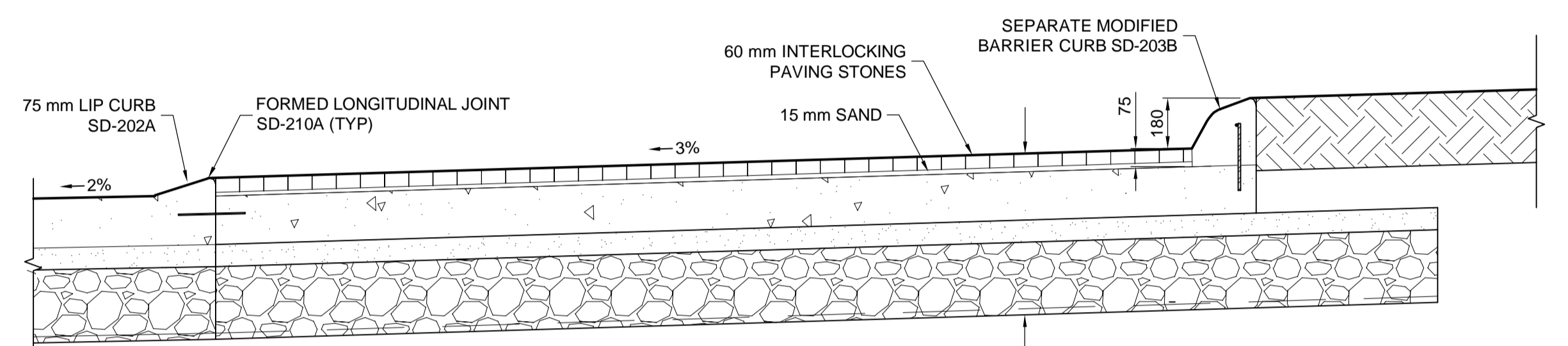


6 GRATE ATTACHMENT
SCALE 1:5

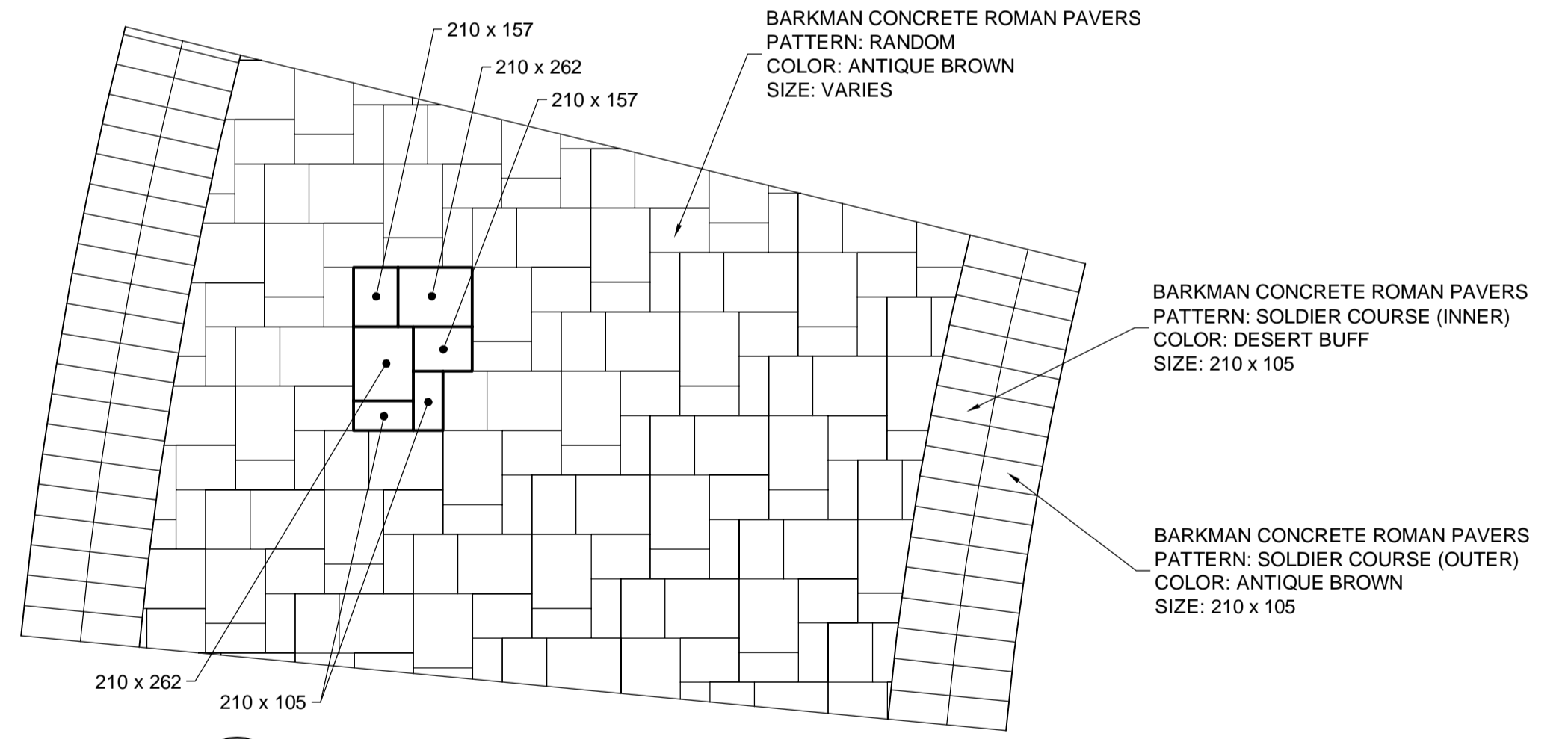
SECTION 'A-A'
SCALE 1:10



5 DITCH INLET GRATE
SCALE 1:10



7 APRON DETAIL
SCALE 1:20



8 PAVING STONES ON TRUCK APRON
SCALE 1:20

G:\CAD\114588\Contract\Current\24 MANHOLE DETAILS.dwg

METRIC

WHOLE NUMBERS INDICATE MILLIMETRES
DECIMALIZED NUMBERS INDICATE METRES

APGM
Certificate of Authorization
Dillon Consulting Limited (MB)
No. 1789 Date: 06/08/2012

150 WM	WATERMAIN	150 WM	HYDRO	HYDRO	HYDRO	150 WM	WATERMAIN	150 WM
300 LDS	HYDRANT VALVE	300 LDS	MTS	MTS	300 LDS	HYDRANT VALVE	300 LDS	300 LDS
250 WWS	LAND DRAINAGE SEWER	250 WWS	CONCRETE	CONCRETE	250 WWS	LAND DRAINAGE SEWER	250 WWS	250 WWS
MANHOLE	WASTE WATER SEWER	MANHOLE	ASPHALT	ASPHALT	MANHOLE	WASTE WATER SEWER	MANHOLE	MANHOLE
CATCH BASIN	MANHOLE	CATCH BASIN	PLANING	PLANING	CATCH BASIN	MANHOLE	CATCH BASIN	CATCH BASIN
CURB INLET	MANHOLE	CURB INLET	SIDEWALK	SIDEWALK	CURB INLET	MANHOLE	CURB INLET	CURB INLET
JUNCTIONS	MANHOLE	JUNCTIONS	PAVING STONES	PAVING STONES	JUNCTIONS	MANHOLE	JUNCTIONS	JUNCTIONS
CULVERT	MANHOLE	CULVERT	PARTIAL DEPTH REPAIR	PARTIAL DEPTH REPAIR	CULVERT	MANHOLE	CULVERT	CULVERT
100 GAS	MANHOLE	100 GAS	PROPERTY LINE	PROPERTY LINE	100 GAS	MANHOLE	100 GAS	100 GAS
EXISTING	LEGEND-PLAN	PROPOSED	SURVEY BAR	SURVEY BAR	EXISTING	LEGEND-PROFILE	PROPOSED	PROPOSED
			CURB RAMP	CURB RAMP				

UNDERGROUND STRUCTURES
SUPPLY U/G STRUCTURES COMMITTEE DATE

NOTE:
LOCATION OF UNDERGROUND STRUCTURES AS SHOWN ARE BASED ON THE BEST INFORMATION AVAILABLE, BUT NO GUARANTEE IS GIVEN THAT ALL EXISTING UTILITIES ARE SHOWN OR THAT THE GIVEN LOCATIONS ARE EXACT. CONFIRMATION OF EXISTENCE AND EXACT LOCATION OF ALL SERVICES MUST BE OBTAINED FROM THE INDIVIDUAL UTILITIES BEFORE PROCEEDING WITH CONSTRUCTION.

BENCHMARK: GEODETIC MARKER # 654321
N: 5531099.483 E: 639291.865

3	ISSUED FOR TENDER	06/08/12	DBW
2	ISSUED FOR REVIEW	05/31/12	DBW
1	ISSUED FOR REVIEW	07/28/11	DBW
NO.	REVISIONS	DATE	BY

DESIGNED BY RTP/DBW
DRAWN BY TJH
CHECKED BY DBW
APPROVED BY DPK
HOR. SCALE AS NOTED
VERTICAL

DILLON CONSULTING

ENGINEER'S SEAL
PROVINCE OF MANITOBA
REGISTERED PROFESSIONAL ENGINEER
D.B. WIEBE
06/08/2012
Member 22480
CONSULTANT PROJECT NUMBER
11-4588

THE CITY OF WINNIPEG
PUBLIC WORKS DEPARTMENT

ROUNDABOUT CONSTRUCTION
GRASSIE BOULEVARD AND MOLSON STREET INTERSECTION

CITY DRAWING NUMBER P-3329-16
SHEET 16 OF 24
CONSULTANT DRAWING NUMBER

DETAILS