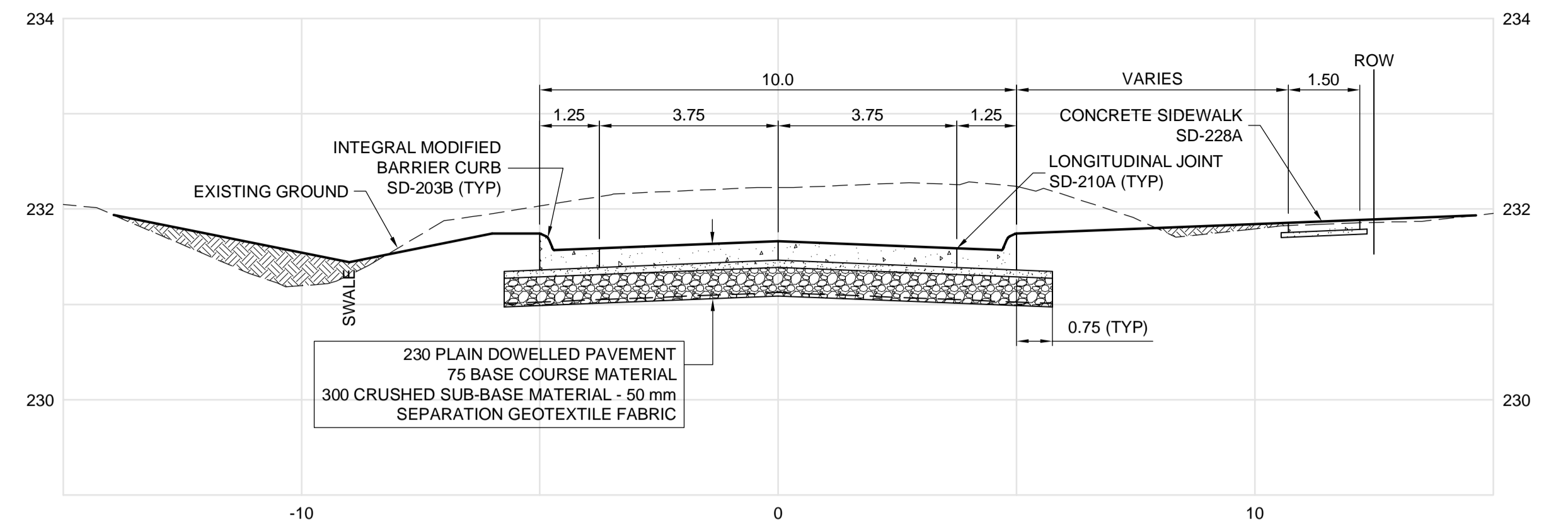
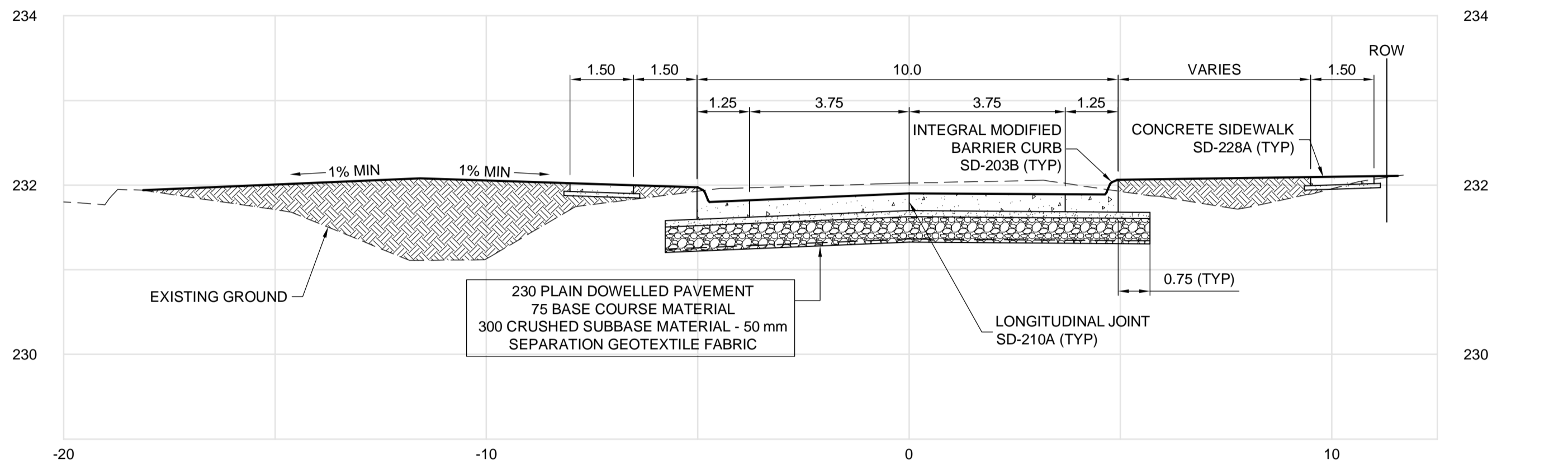


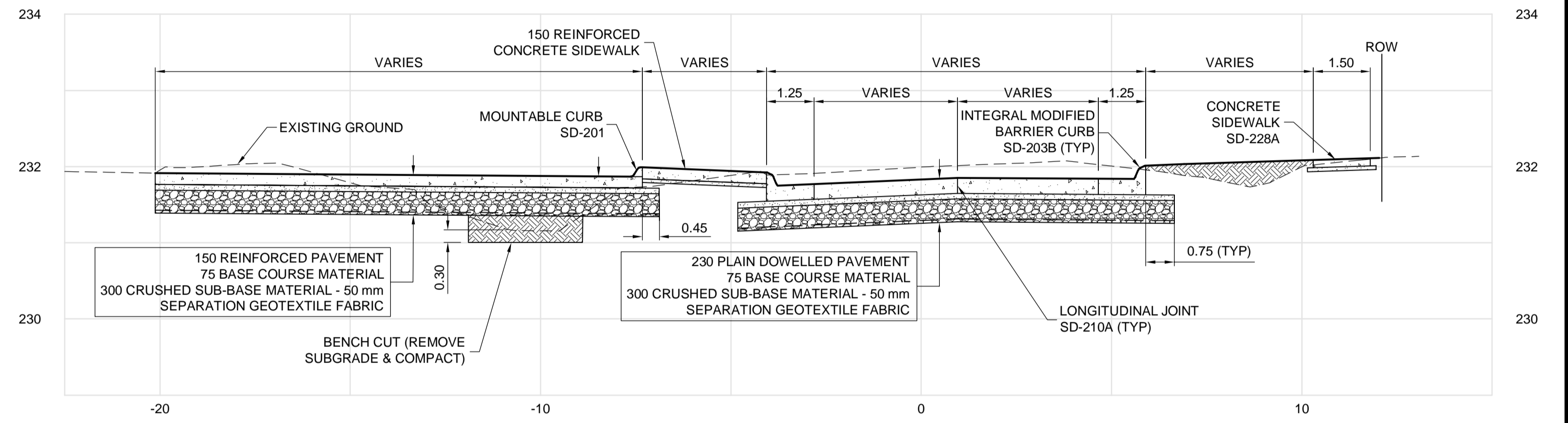
A WEST LEG - STA. 0+170
SCALE - H:1:100 V:1:50



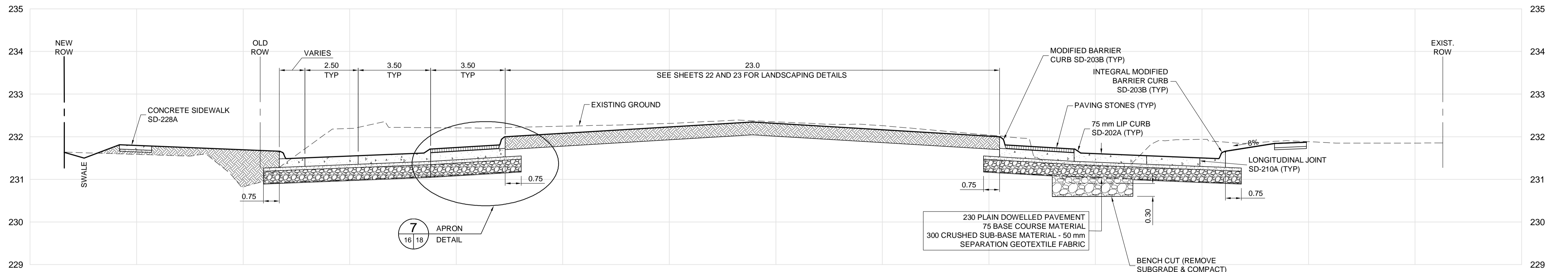
B WEST LEG - STA. 0+205
SCALE - H:1:100 V:1:50



C WEST LEG - STA. 0+275
SCALE - H:1:100 V:1:50



D WEST LEG - STA. 0+305
SCALE - H:1:100 V:1:50



E ROUNDABOUT CROSS SECTION
SCALE - H:1:100 V:1:50

7
16 18
APRON
DETAIL

METRIC

WHOLE NUMBERS INDICATE MILLIMETRES
DECIMALIZED NUMBERS INDICATE METRES



G:\CAD\114588\Contract\Current\24 MANHOLE DETAILS.dwg

150 WM	WATERMAIN	150 WM	HYDRO	HYDRO	HYDRO	150 WM	WATERMAIN	150 WM
+	HYDRANT	+	MTS	MTS	MTS	+	HYDRANT	+
+	VALVE	+	---	---	---	+	VALVE	+
300 LDS	LAND DRAINAGE SEWER	300 LDS	---	---	---	300 LDS	LAND DRAINAGE SEWER	300 LDS
250 WWS	WASTE WATER SEWER	250 WWS	---	---	---	250 WWS	WASTE WATER SEWER	250 WWS
○	MANHOLE	●	---	---	---	○	MANHOLE	○
□	CATCH BASIN	■	---	---	---	□	CATCH BASIN	□
▽	CURB INLET	▽	---	---	---	▽	CURB INLET	▽
---	JUNCTIONS	---	---	---	---	---	JUNCTIONS	---
---	CULVERT	---	---	---	---	---	CULVERT	---
100 GAS	GAS	100 GAS	---	---	---	100 GAS	GAS	100 GAS
---	EXISTING	---	---	---	---	---	EXISTING	---
---	LEGEND-PLAN	---	---	---	---	---	LEGEND-PLAN	---
---	PROPOSED	---	---	---	---	---	PROPOSED	---
---	EXISTING	---	---	---	---	---	EXISTING	---
---	LEGEND-PLAN	---	---	---	---	---	LEGEND-PLAN	---
---	PROPOSED	---	---	---	---	---	PROPOSED	---
---	EXISTING	---	---	---	---	---	EXISTING	---
---	LEGEND-PROFILE	---	---	---	---	---	LEGEND-PROFILE	---
---	PROPOSED	---	---	---	---	---	PROPOSED	---

UNDERGROUND STRUCTURES	
SUPPLY U/G STRUCTURES COMMITTEE	DATE
NOTE: LOCATION OF UNDERGROUND STRUCTURES AS SHOWN ARE BASED ON THE BEST INFORMATION AVAILABLE, BUT NO GUARANTEE IS GIVEN THAT ALL EXISTING UTILITIES ARE SHOWN OR THAT THE GIVEN LOCATIONS ARE EXACT. CONFIRMATION OF EXISTENCE AND EXACT LOCATION OF ALL SERVICES MUST BE OBTAINED FROM THE INDIVIDUAL UTILITIES BEFORE PROCEEDING WITH CONSTRUCTION.	

BENCHMARK: GEODETIC MARKER # 654321 N: 5531099.483 E: 639291.865			
DESIGNED BY	RTP/DBW	DATE	
DRAWN BY	TJH	DATE	
CHECKED BY	DBW	DATE	
APPROVED BY	DPK	DATE	
HOR. SCALE	AS NOTED	DATE	
VERTICAL		DATE	
NO.	REVISIONS	DATE	BY
3	ISSUED FOR TENDER	06/08/12	DBW
2	ISSUED FOR REVIEW	05/31/12	DBW
1	ISSUED FOR REVIEW	07/28/11	DBW

RELEASED FOR CONSTRUCTION	DATE
---------------------------	------



ENGINEER'S SEAL	PROVINCE OF MANITOBA
REGISTERED PROFESSIONAL ENGINEER	D.B. WIEBE
Member 22480	06/08/2012
CONSULTANT PROJECT NUMBER	11-4588

THE CITY OF WINNIPEG
PUBLIC WORKS DEPARTMENT

ROUNDABOUT CONSTRUCTION
GRASSIE BOULEVARD AND MOLSON STREET INTERSECTION

CITY DRAWING NUMBER: P-3329-18
SHEET 18 OF 24
CONSULTANT DRAWING NUMBER

CROSS SECTIONS - WEST LEG & ROUNDABOUT