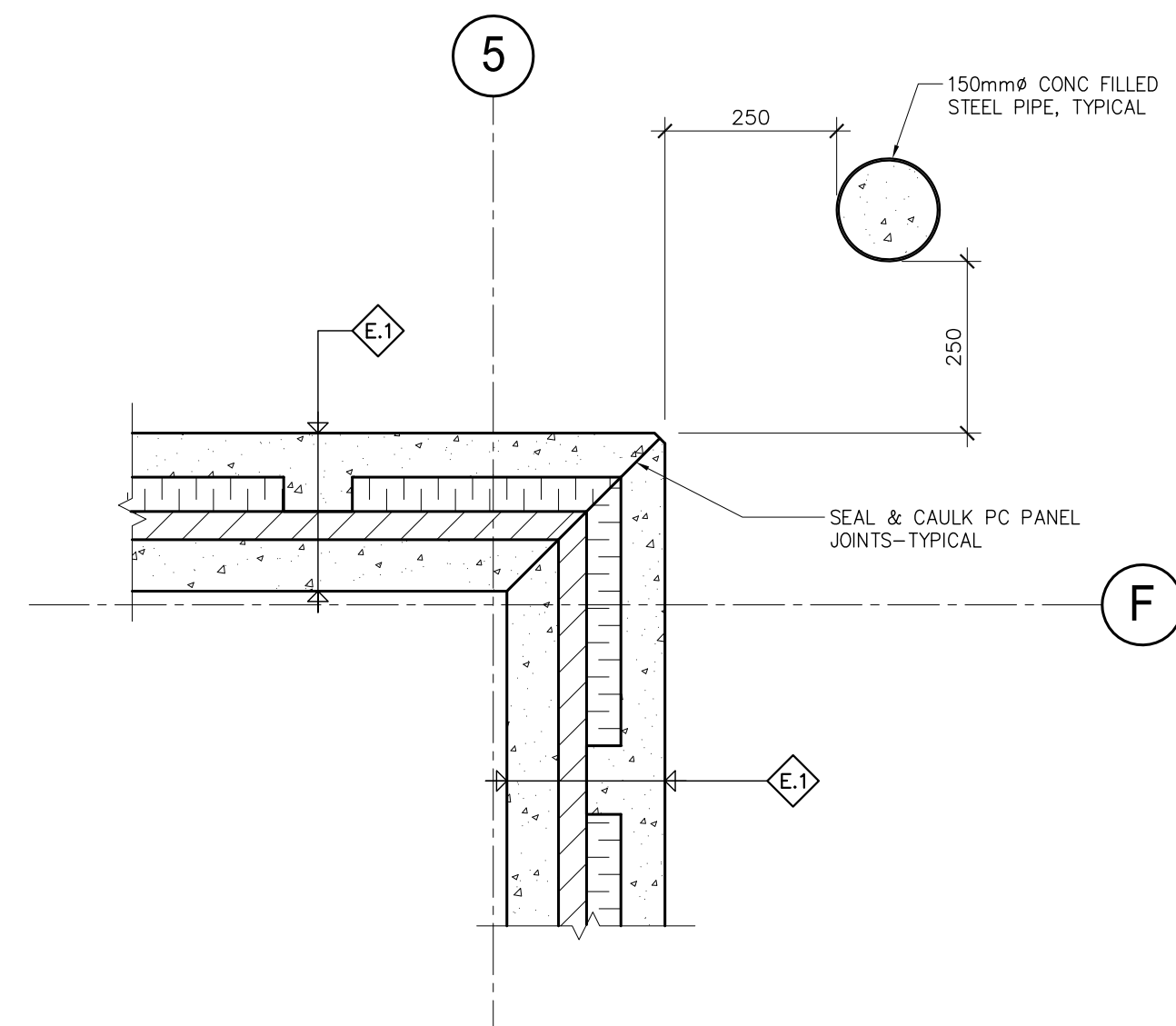
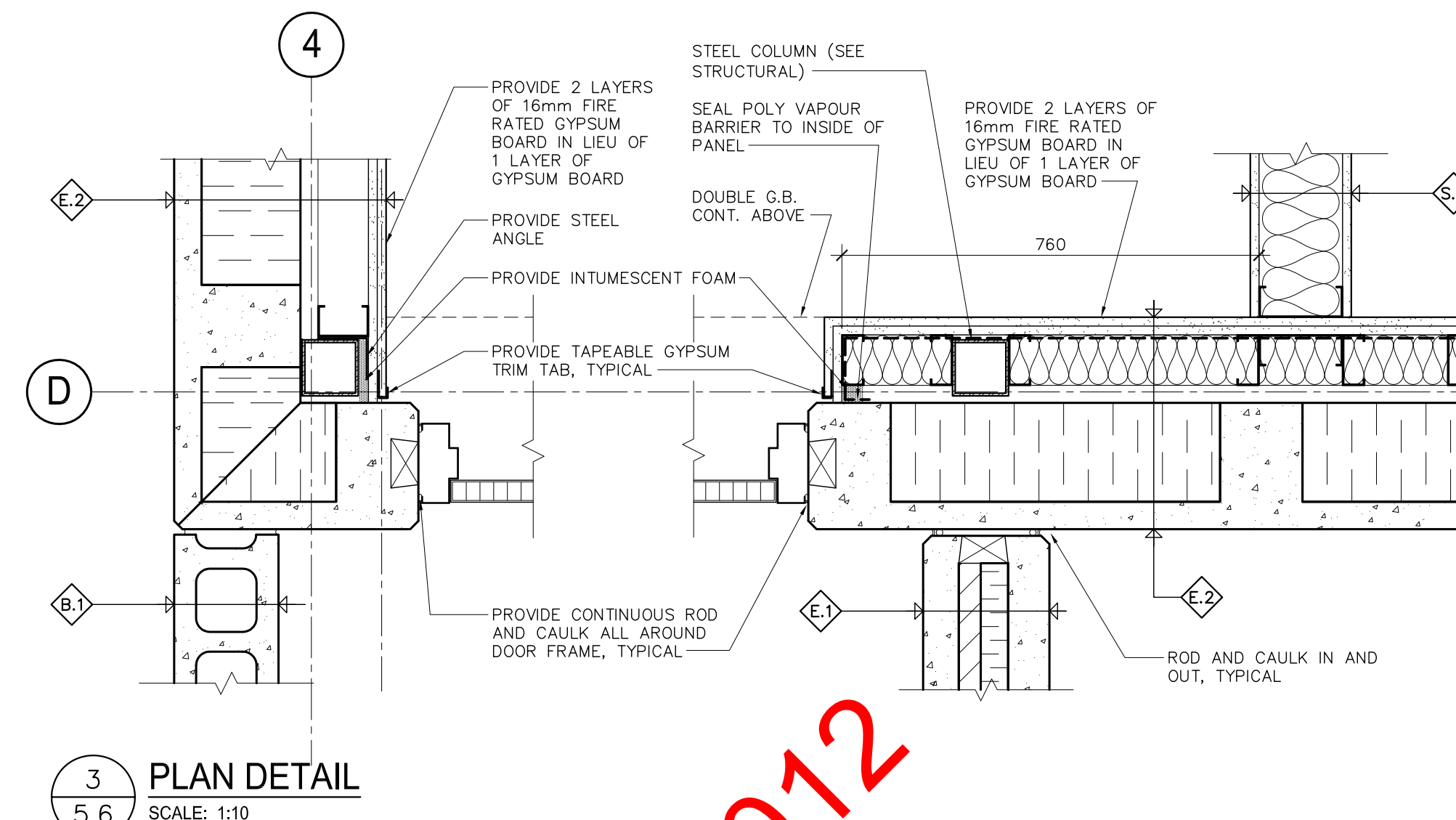


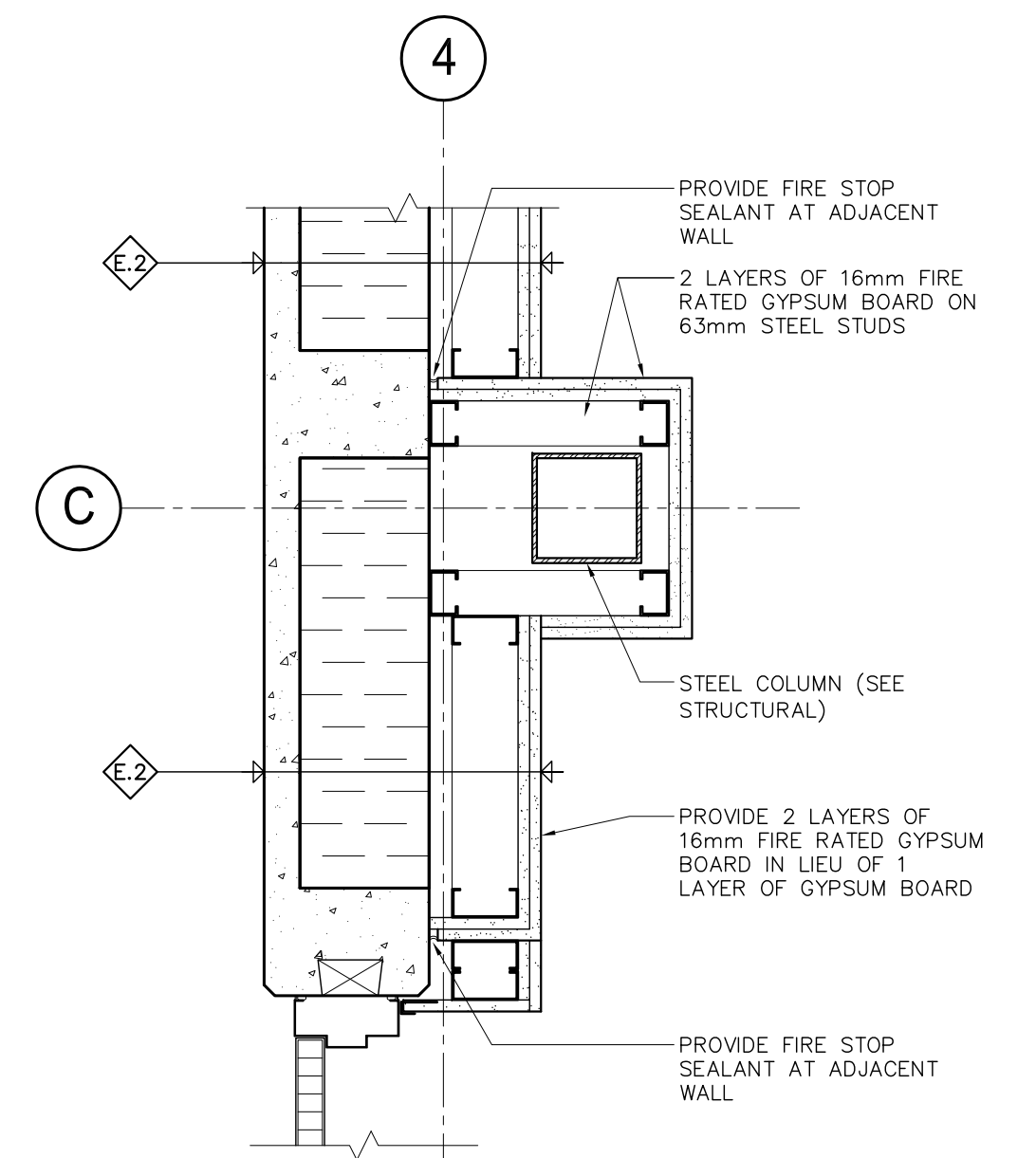
1 PLAN DETAIL  
5.6 SCALE: 1:10



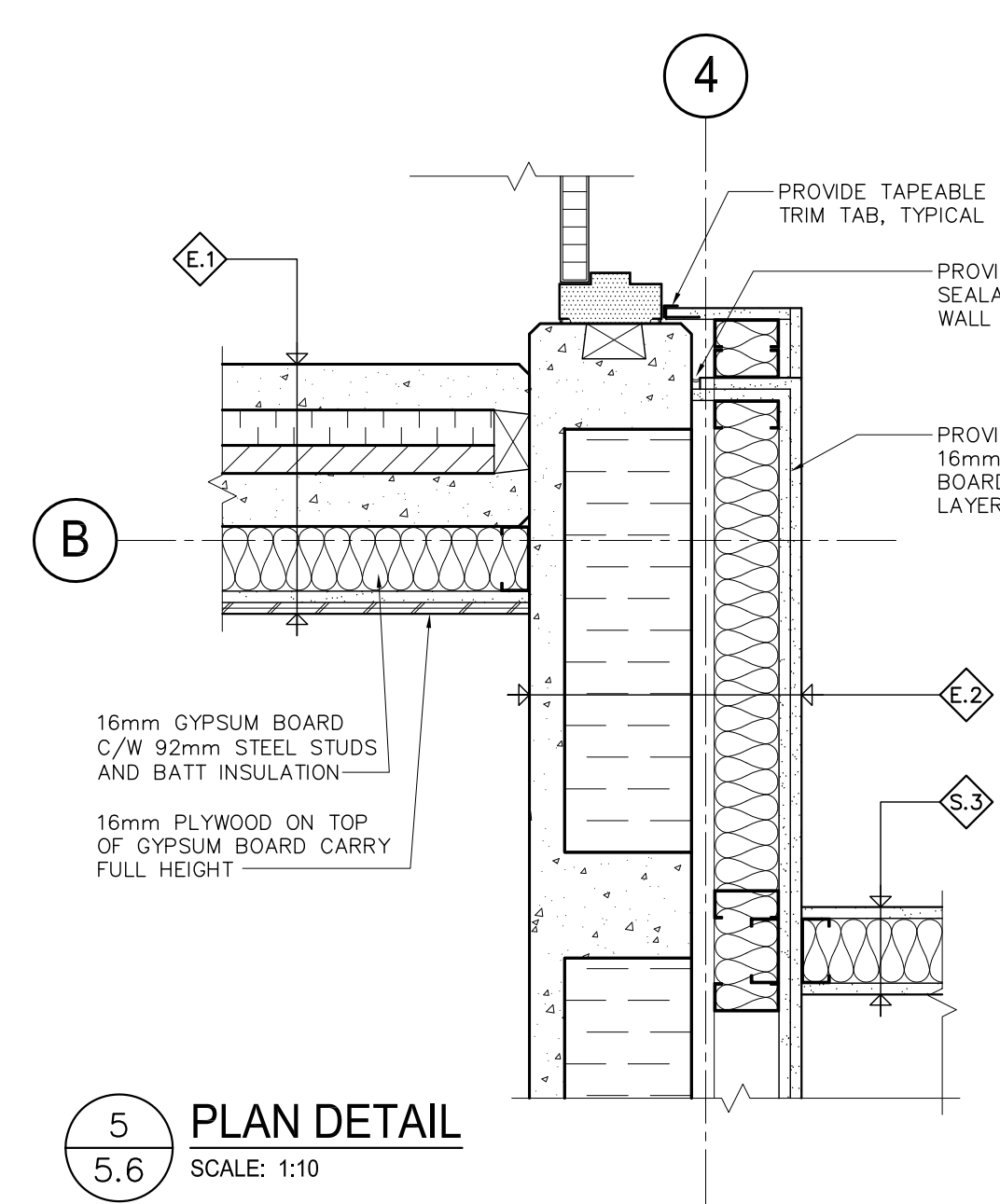
2 PLAN DETAIL  
5.6 SCALE: 1:10



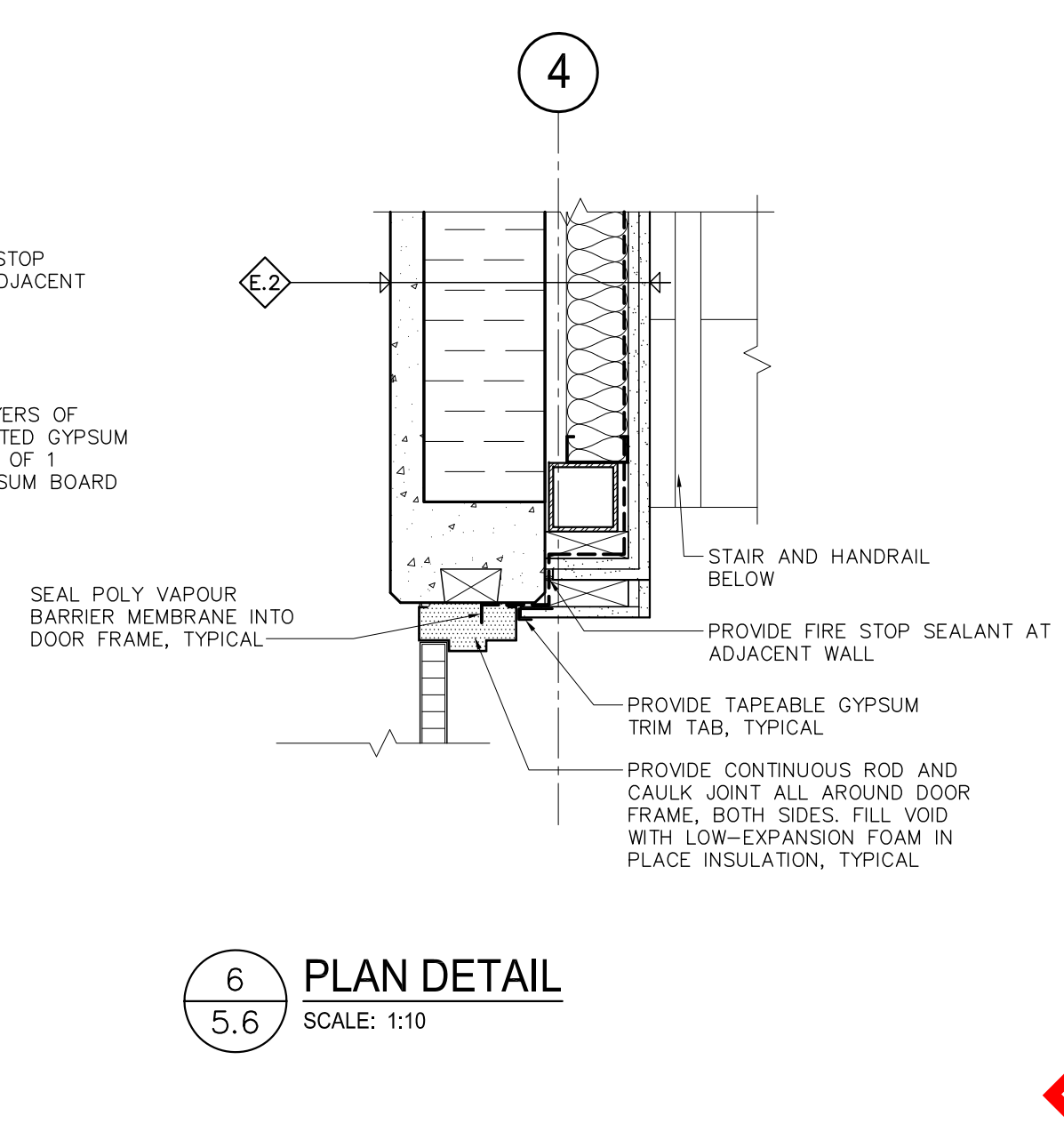
3 PLAN DETAIL  
5.6 SCALE: 1:10



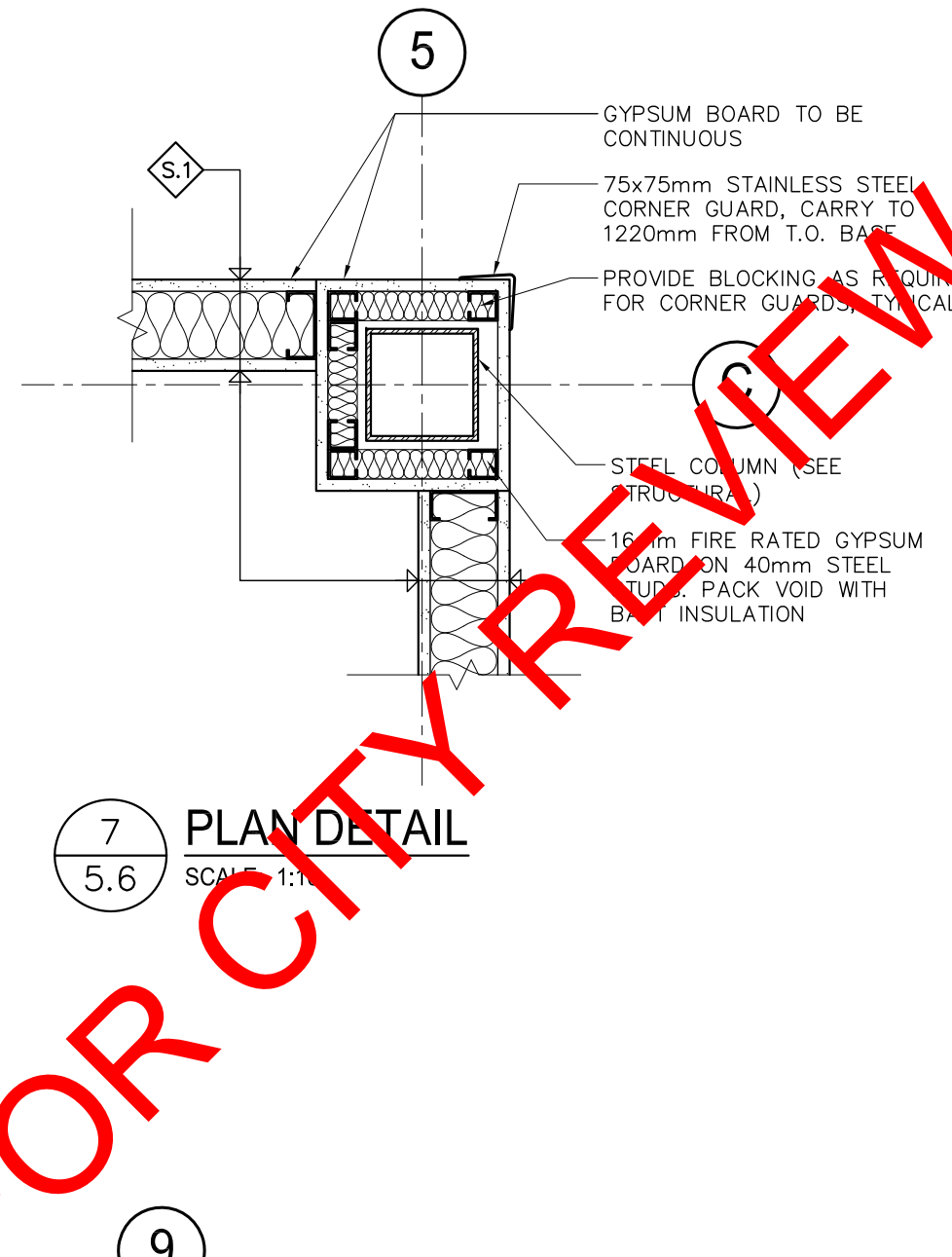
4 PLAN DETAIL  
5.6 SCALE: 1:10



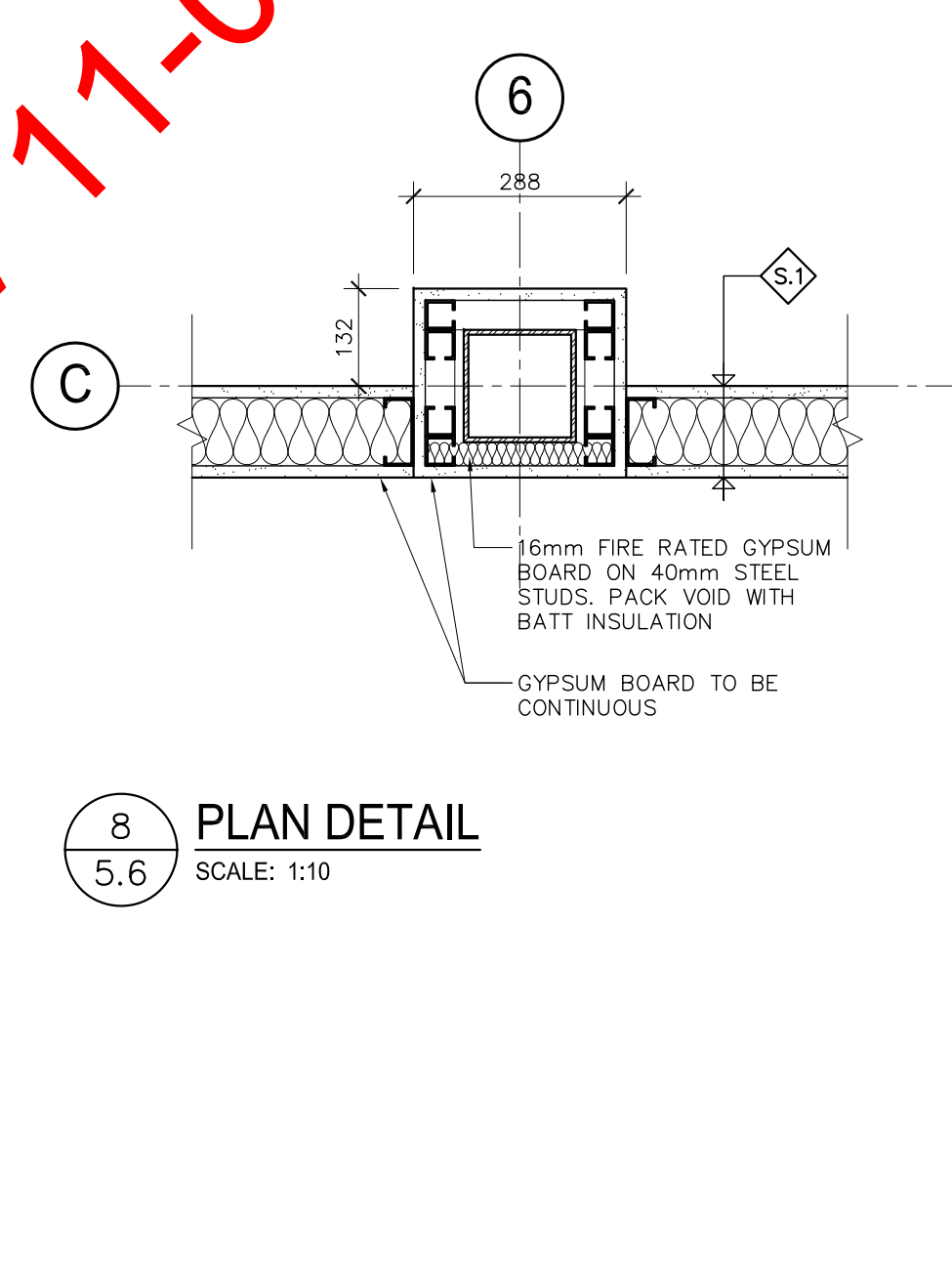
5 PLAN DETAIL  
5.6 SCALE: 1:10



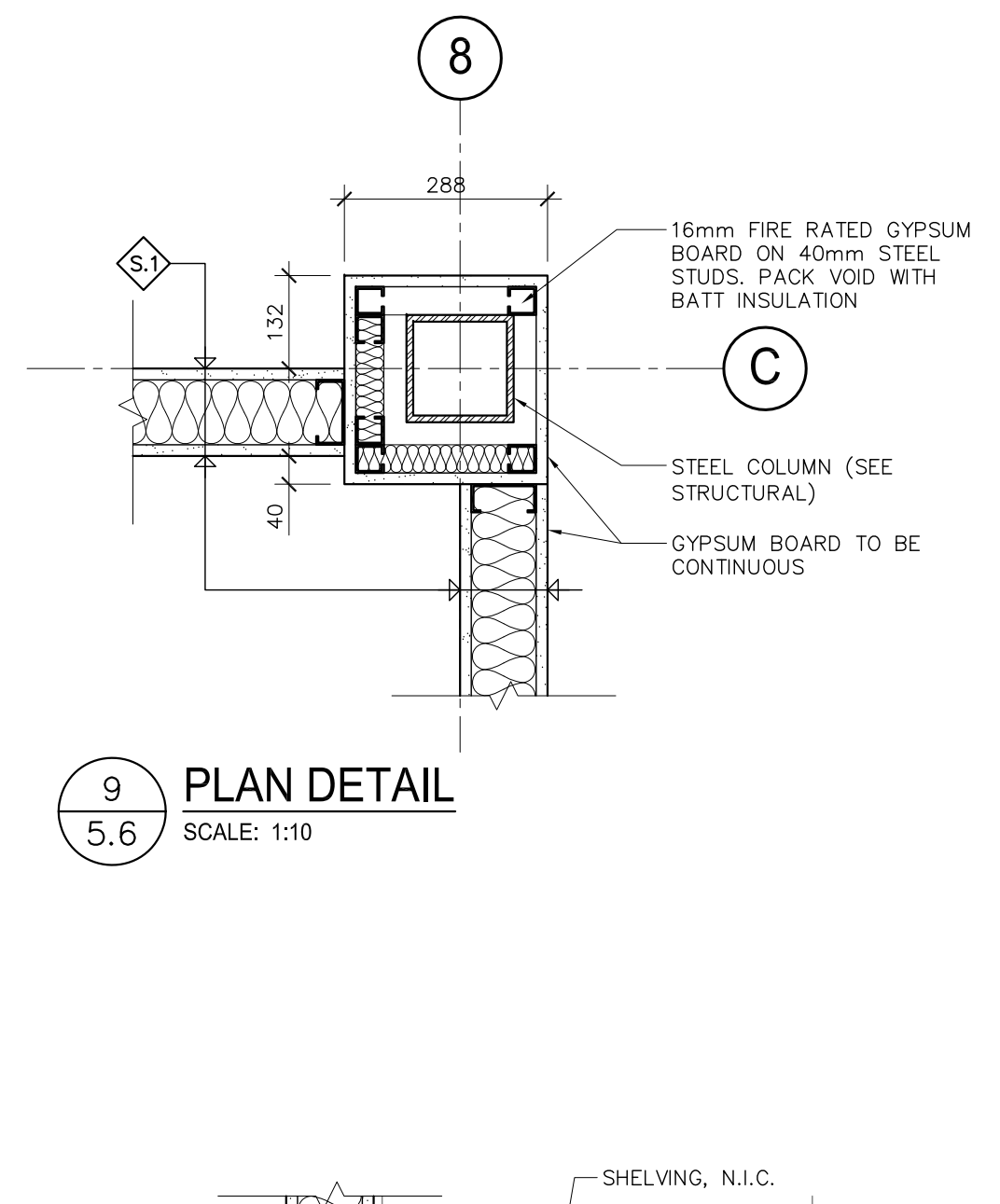
6 PLAN DETAIL  
5.6 SCALE: 1:10



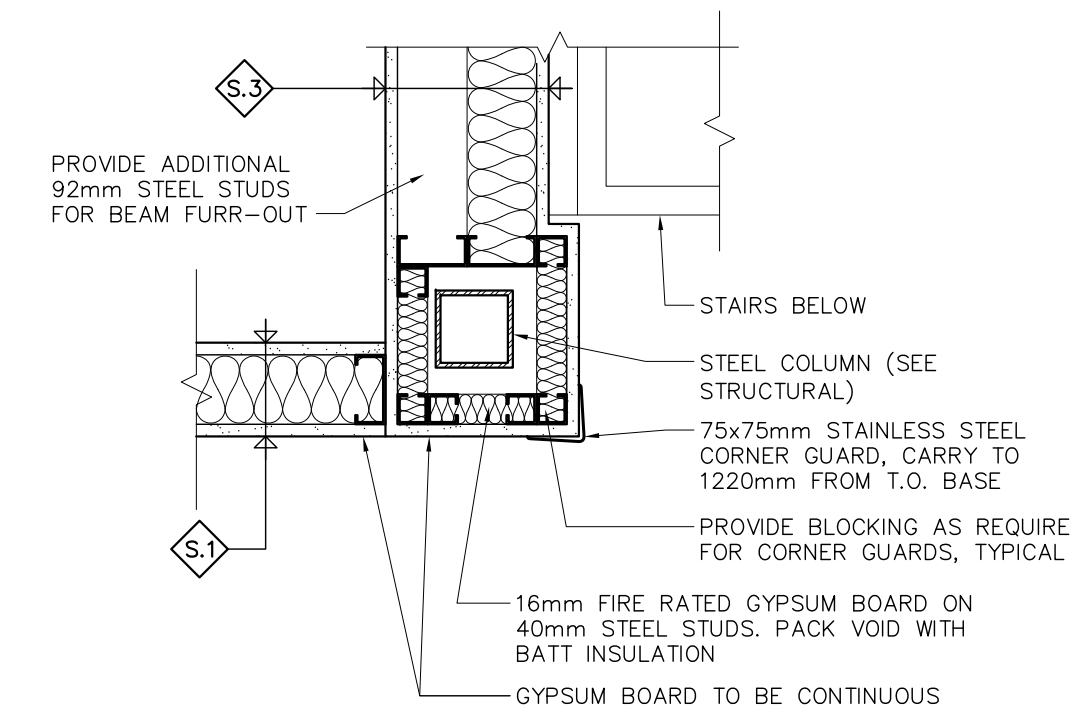
7 PLAN DETAIL  
5.6 SCALE: 1:10



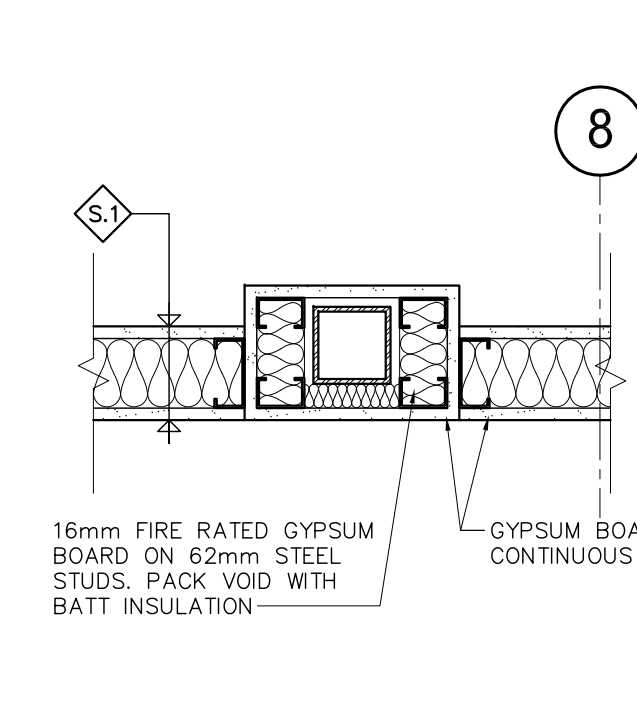
8 PLAN DETAIL  
5.6 SCALE: 1:10



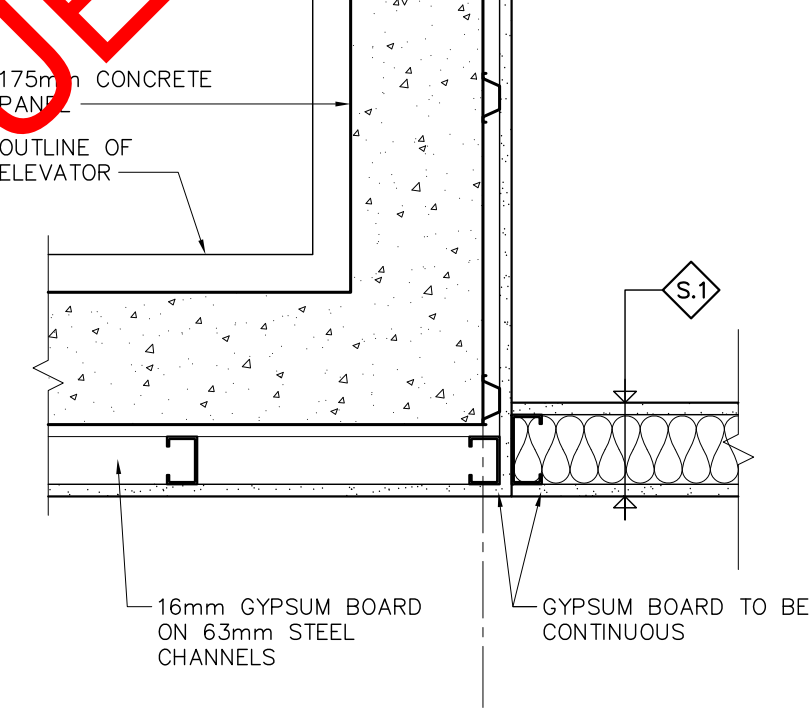
9 PLAN DETAIL  
5.6 SCALE: 1:10



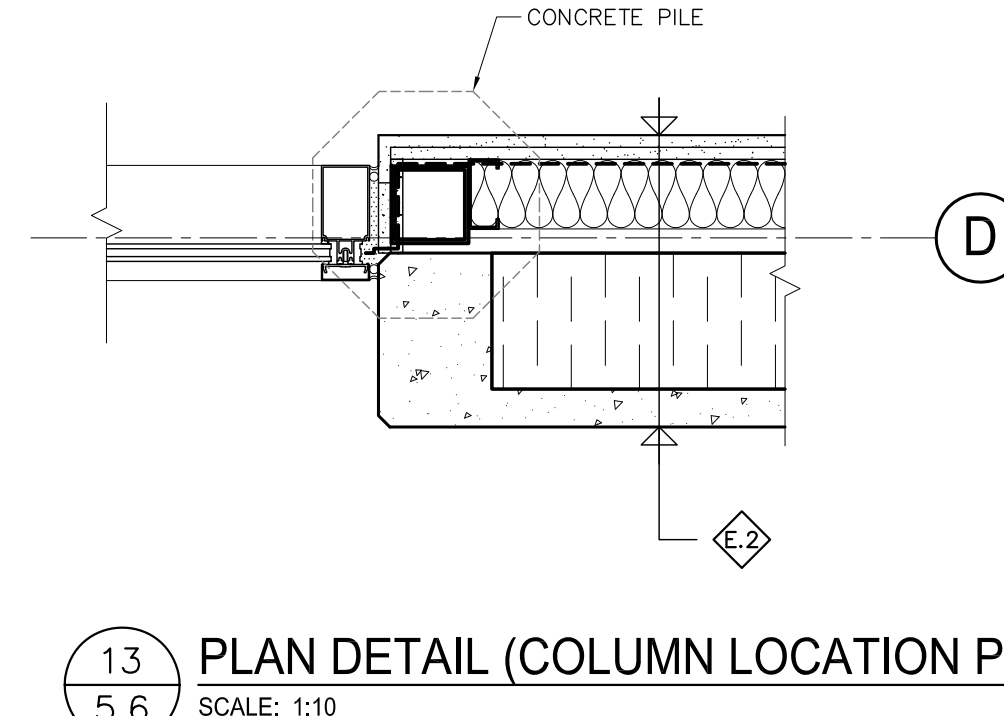
10 PLAN DETAIL  
5.6 SCALE: 1:10



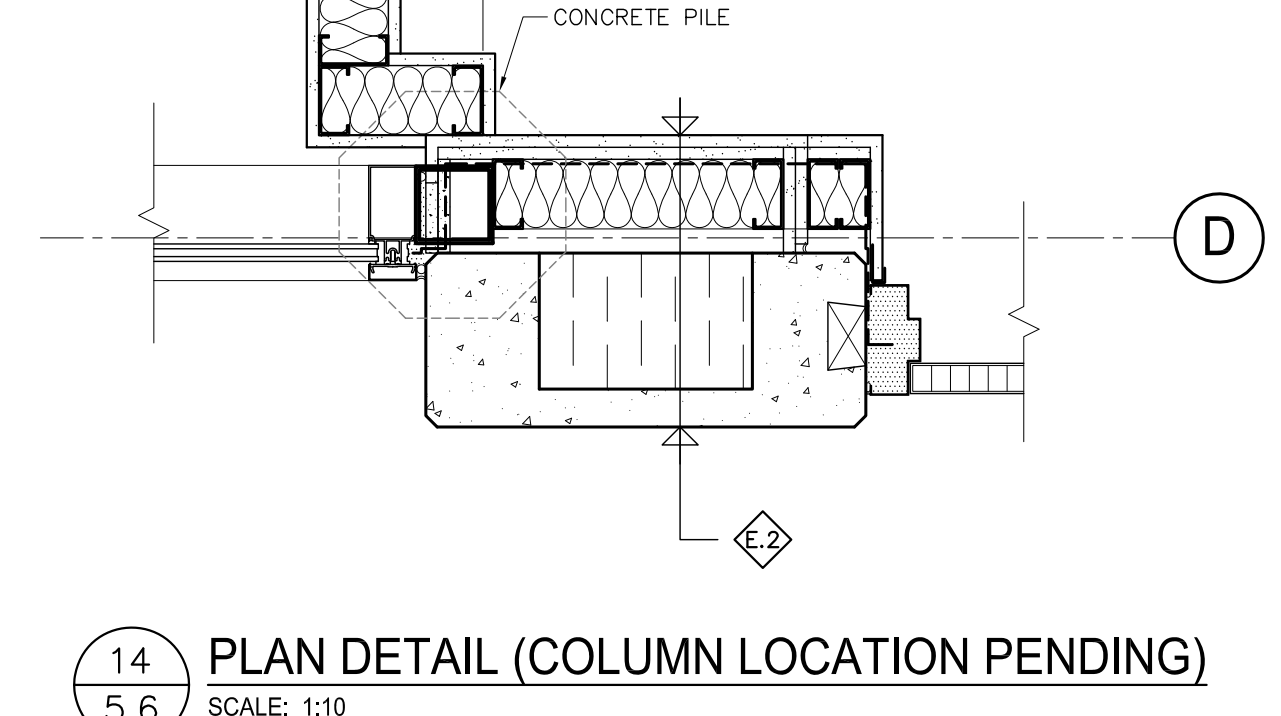
11 PLAN DETAIL  
5.6 SCALE: 1:10



12 PLAN DETAIL  
5.6 SCALE: 1:10



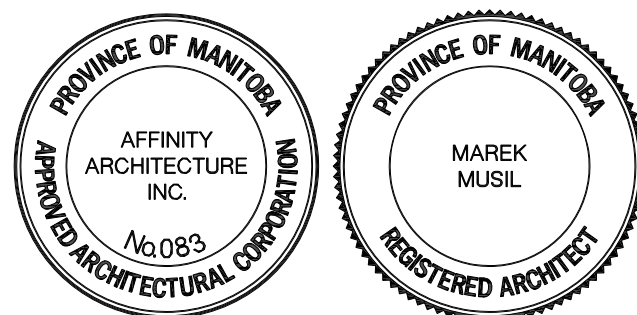
13 PLAN DETAIL (COLUMN LOCATION PENDING)  
5.6 SCALE: 1:10



14 PLAN DETAIL (COLUMN LOCATION PENDING)  
5.6 SCALE: 1:10

ISSUED FOR CITY REVIEW 11-06-2012

REV	DESCRIPTION	DATE	BY
4	ISSUED FOR REVIEW	08 JUNE 2012	MM
3	ISSUED FOR DRAWING REVIEW	JUN 1, 2012	MM
2	ISSUED FOR 66% REVIEW	MAR 5 2012	MD
1	ISSUED FOR 33% REVIEW	05 JAN 2012	MD



3 TERRACON PLACE  
WINNIPEG, CANADA R2J 4B3  
TEL (204) 233 7881  
FAX (204) 233 4733  
general@ehansch.com  
www.ehansch.com

CLIENT: CITY OF WINNIPEG  
PUBLIC WORKS DEPARTMENT  
PROJECT NUMBER: 1511  
DRAWN BY: MD  
DATE: JAN. 5, 2012  
SCALE: AS SHOWN

PROJECT TITLE:  
CITY OF WINNIPEG  
PUBLIC WORKS EAST YARD COMPLEX  
MAIN OFFICE & GARAGES  
SHEET TITLE:  
PLAN DETAILS

SHEET NUMBER:  
**A5.6**  
REVISION NUMBER: RO