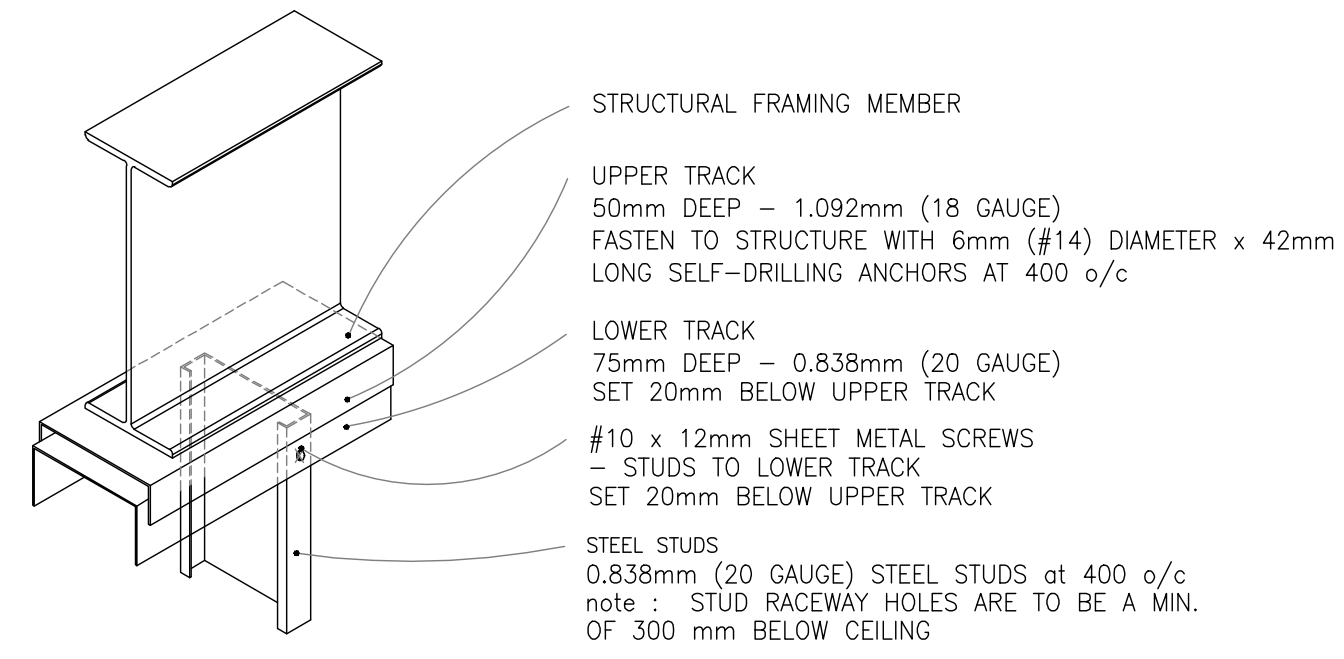
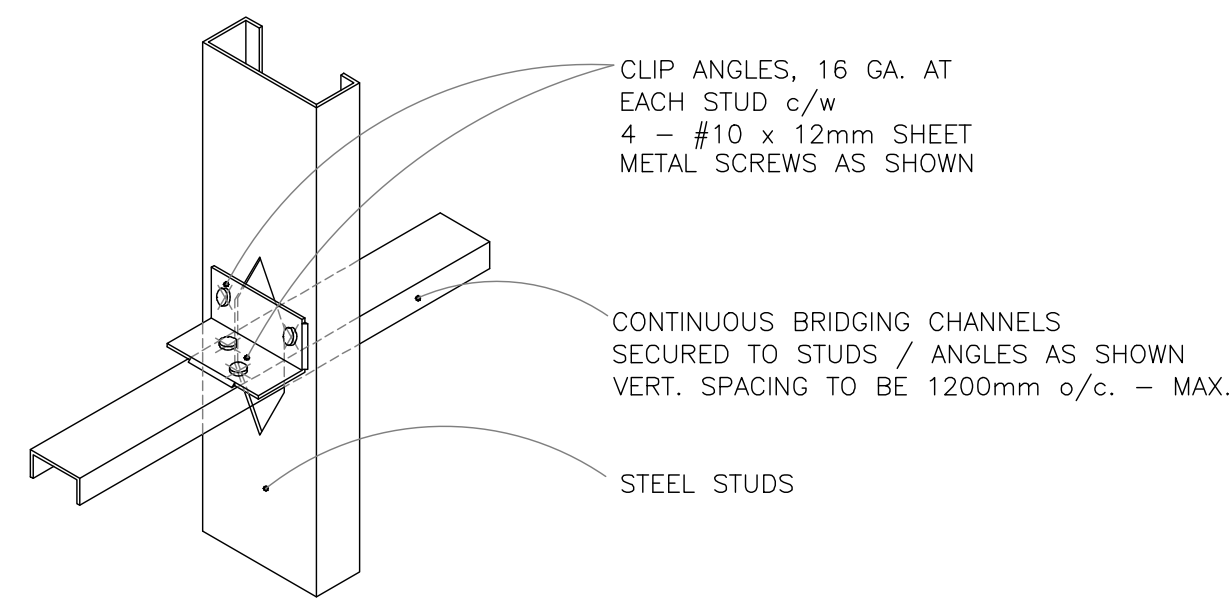


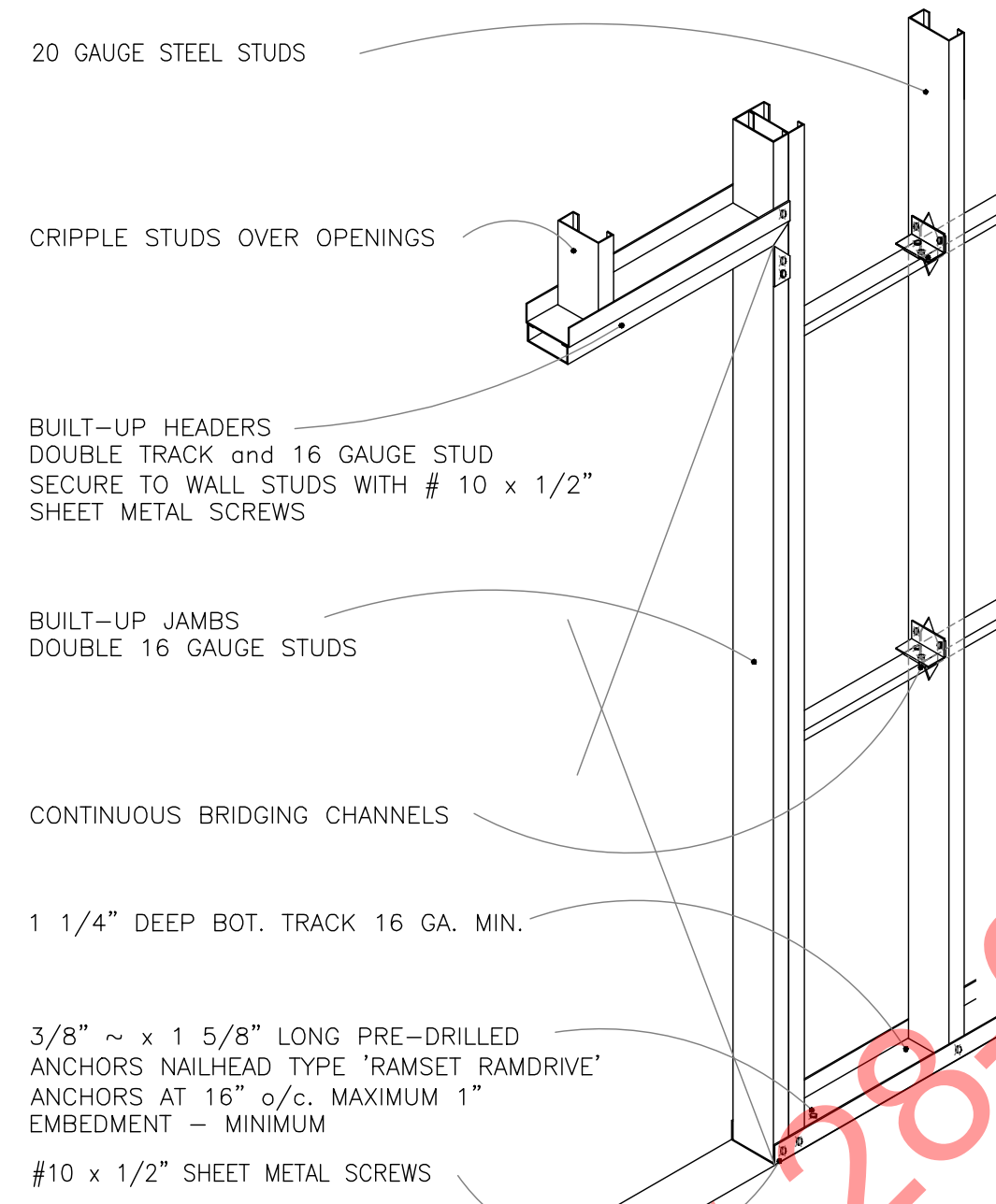
STEEL STUD TYP. DETAILS



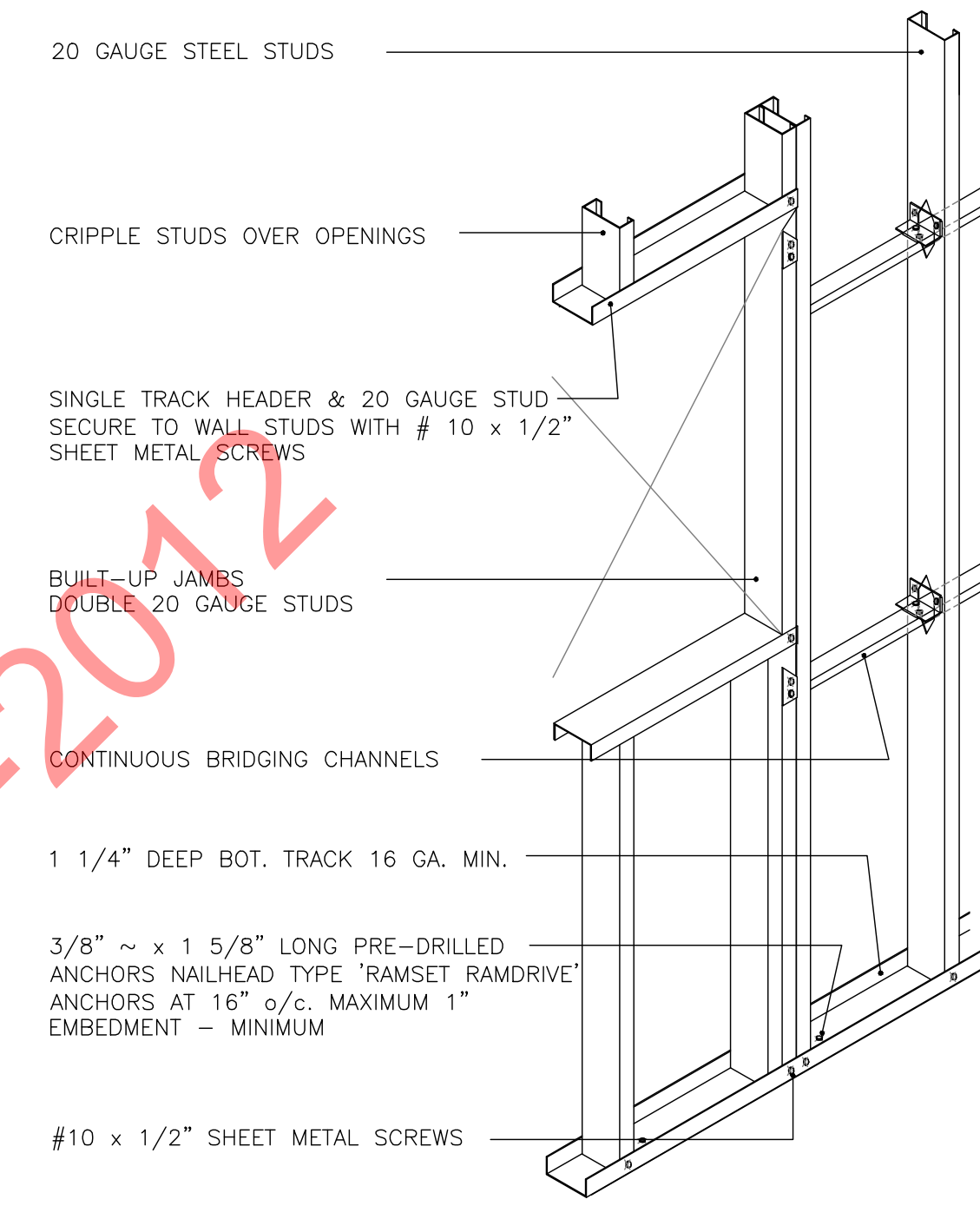
1 TOP TRACK TO STEEL BEAM DETAIL  
S1.6 N.T.S



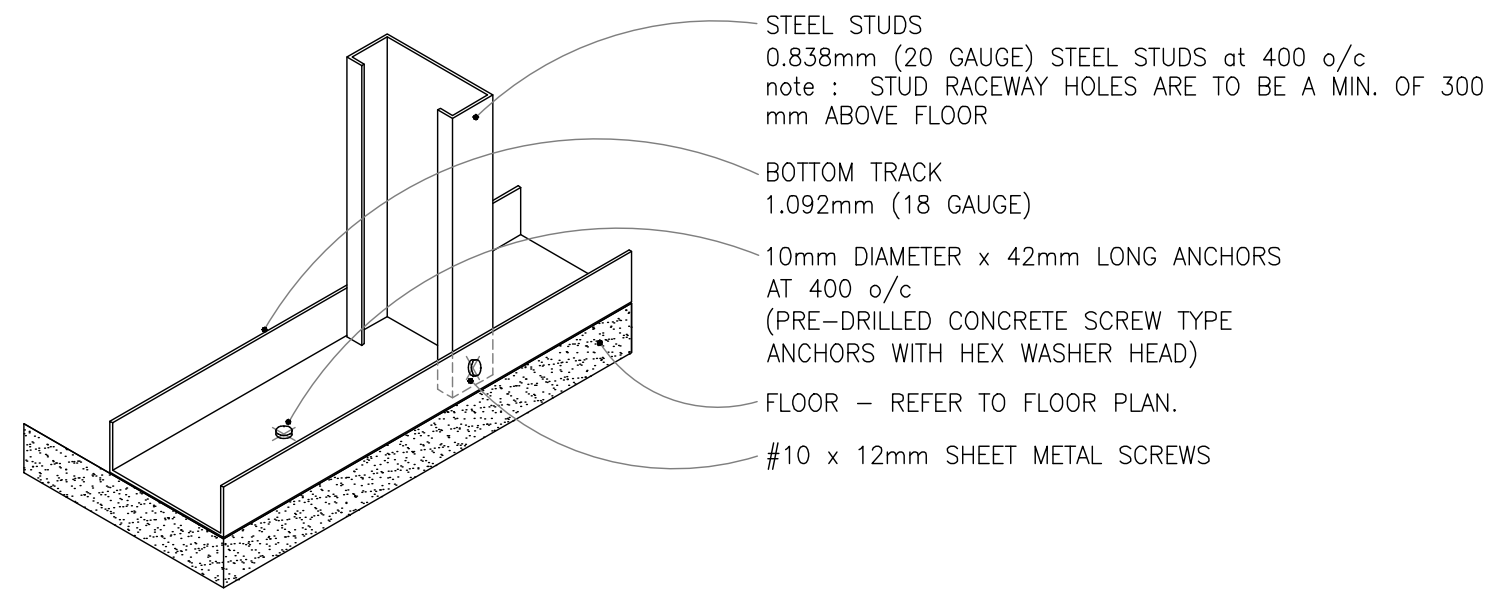
3 BRIDGING CONNECTION DETAIL  
S1.6 N.T.S



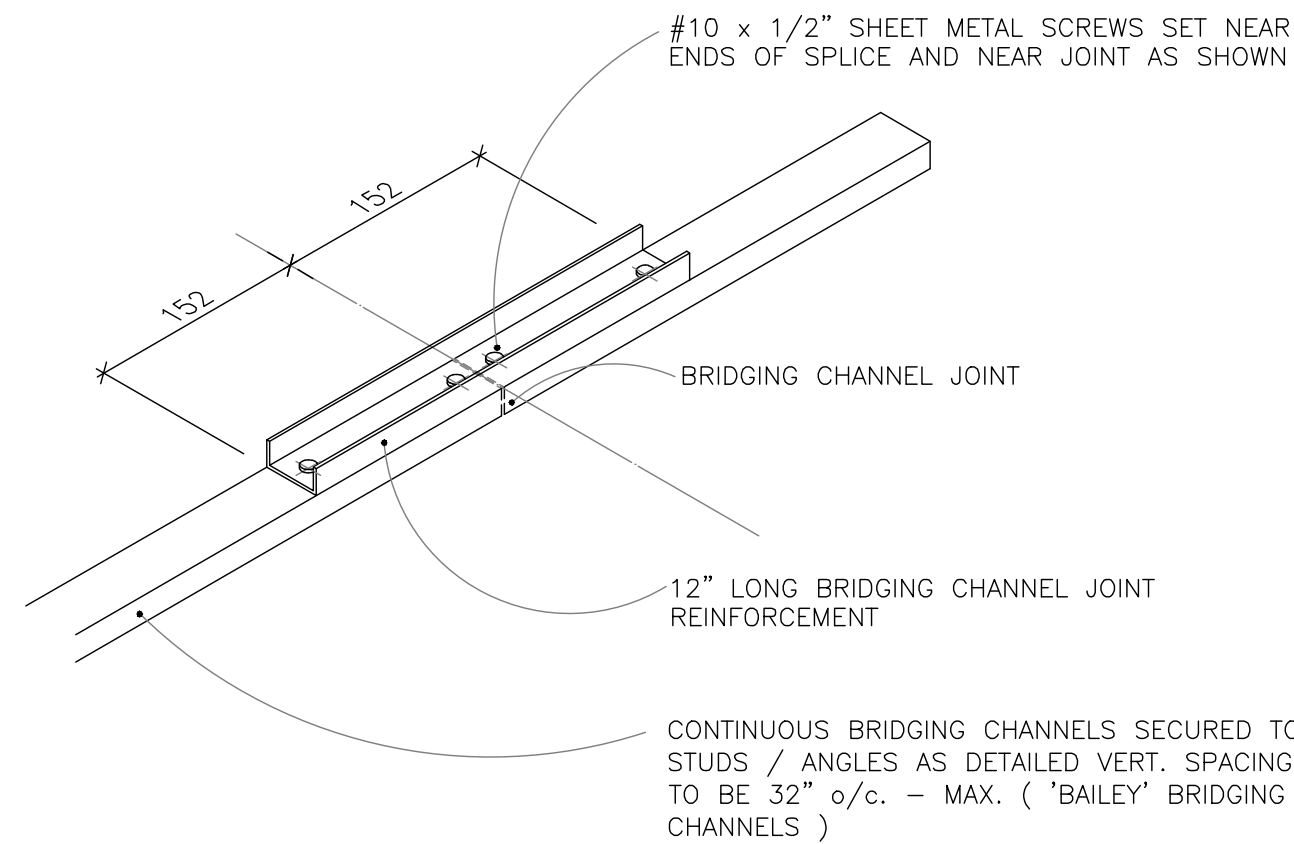
5 WALL OPENING DETAIL (OPENINGS LESS THAN 900 WIDE)  
S1.6 N.T.S



6 WINDOW OPENING DETAIL  
S1.6 N.T.S



2 BOTTOM TRACK DETAIL  
S1.6 N.T.S



4 BRIDGING SPLICE DETAIL  
S1.6 N.T.S

ISSUED FOR CITY REVIEW 28-05-2012



REV	DESCRIPTION	DATE	BY
6	GRADE BEAM REVISION	4 APR. 2012	CM
5	ISSUED FOR CONSTRUCTION	4 APR. 2012	CM
4	REISSUED FOR PERMIT	15 MAR. 2012	CM
3	66% DESIGN DWGS.	5 MAR. 2012	CM
2	ISSUED FOR FOUNDATION PERMIT	20 JAN. 2012	CM
1	33% DESIGN DWGS.	6 JAN. 2012	CM

**Frovich & Associates**  
120 St. Annes Road  
Winnipeg, MB  
R2M 2Z2  
(204) 254-0666

**ERNST HANSCH**  
CONSTRUCTION LTD.

3 TERRACON PLACE  
WINNIPEG, CANADA R2J 4B3  
TEL. (204) 233 7881  
FAX (204) 233 4733  
general@ehansch.com  
www.ehansch.com

CLIENT: CITY OF WINNIPEG  
PUBLIC WORKS DEPARTMENT  
PROJECT NUMBER: 1511  
DRAWN BY: CM  
DATE: MAR. 12, 2012  
SCALE: AS NOTED

PROJECT TITLE:  
**CITY OF WINNIPEG  
PUBLIC WORKS EAST YARD COMPLEX  
MAIN OFFICE & GARAGES**  
SHEET TITLE:  
**FOUNDATION DETAILS  
SHEET 3**

SHEET NUMBER:

S1.6

REVISION NUMBER:

5