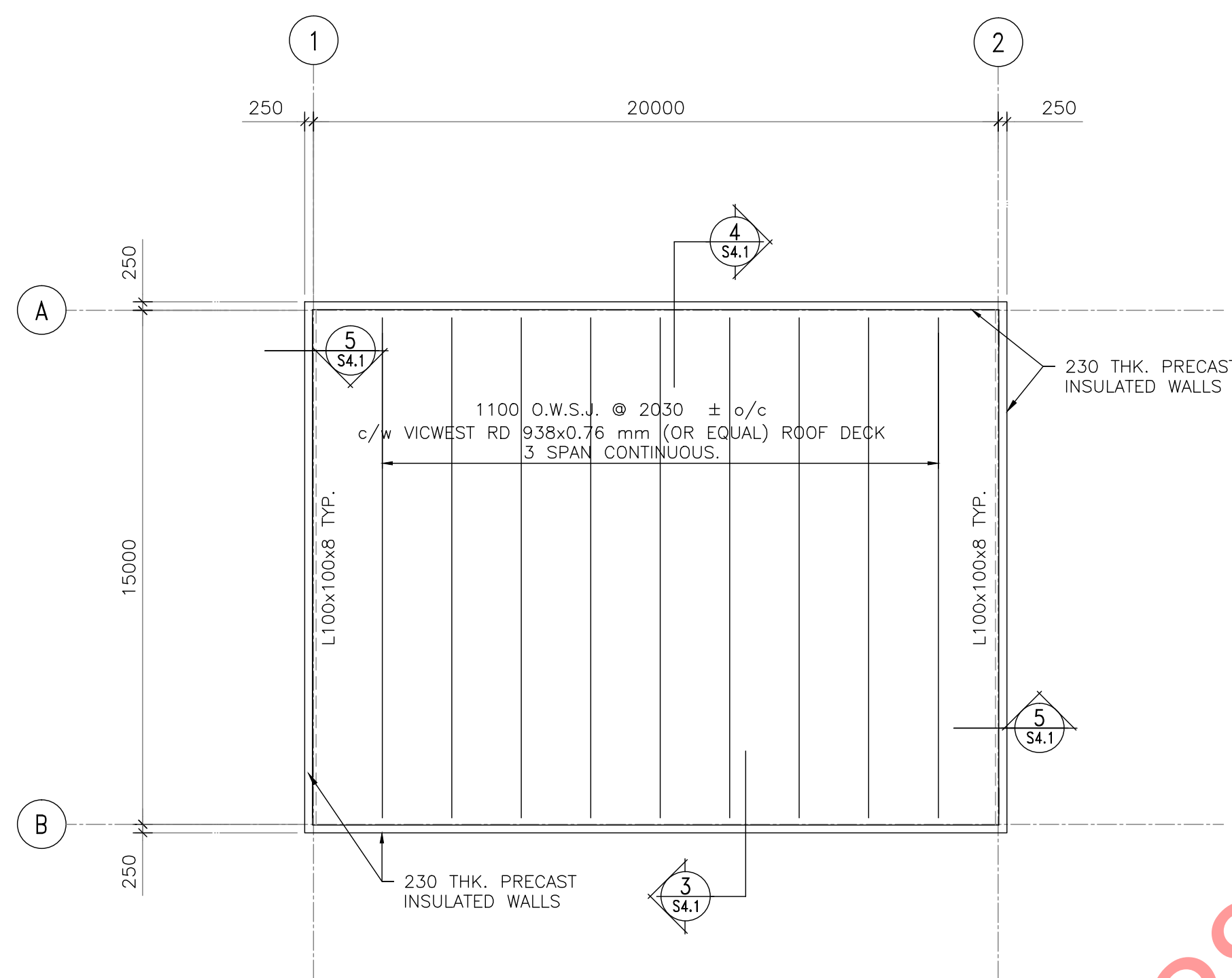
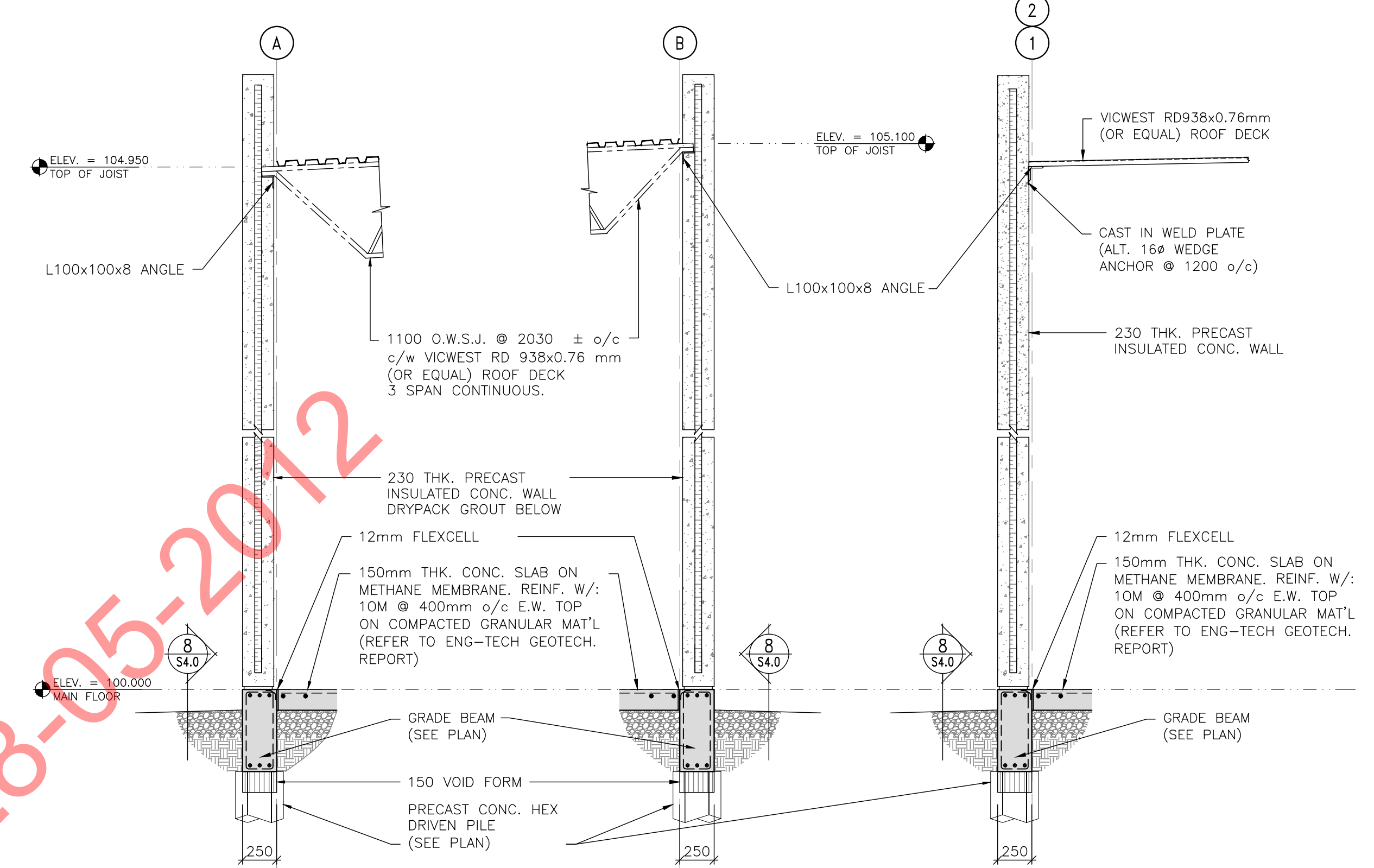


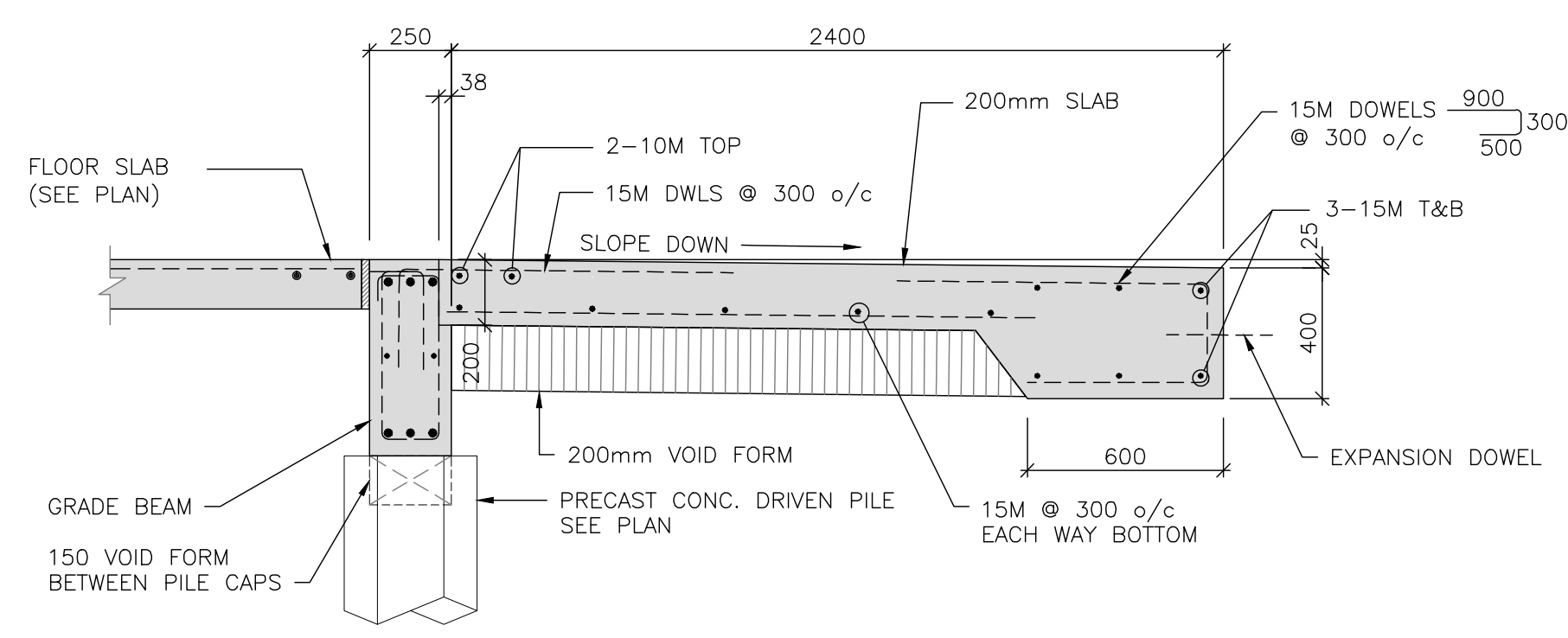
1 FOUNDATION PLAN (CS-13 & CS-14 SHARED)
S4.1 scale: 1:150



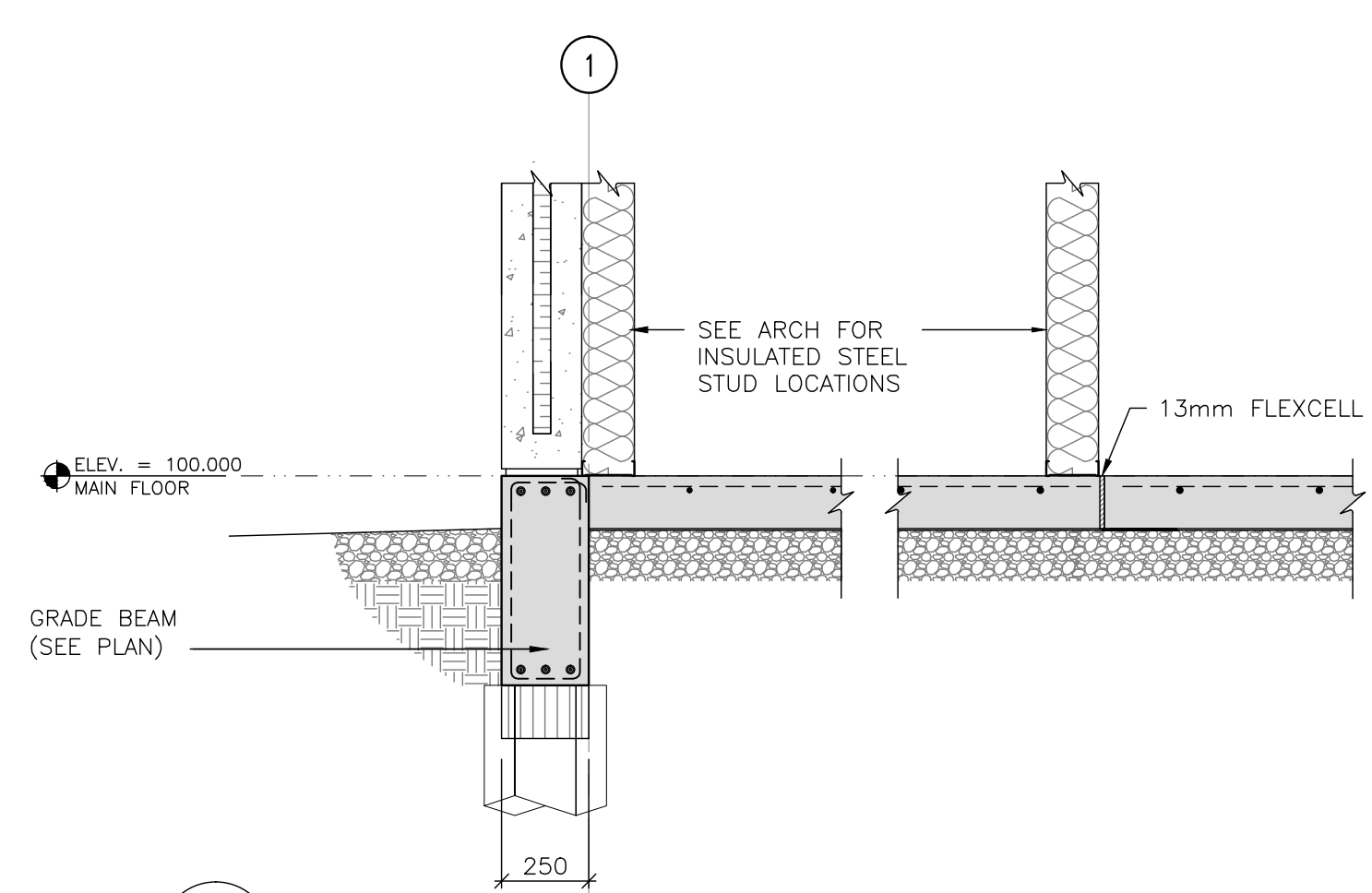
2 ROOF FRAMING PLAN (CS-13 & CS-14 SHARED)
S4.1 scale: 1:150



3 SECTION S4.1 scale: 1:30
4 SECTION S4.1 scale: 1:30
5 SECTION S4.1 scale: 1:30



6 TRANSITION SLAB SECTION
S4.1 scale: 1:20



7 SECTION
S4.1 scale: 1:20

PILE SCHEDULE		GRADE BEAM SCHEDULE TOP OF ALL GRADE BEAMS ELEVATION = 100.00 (U.N.O) GEODETIC ELEVATION = 234.00				COLUMN SCHEDULE			
MARK	DESCRIPTION	MARK	WIDTH	DEPTH	REINFORCING	MARK	SIZE	BASE PLATE	COMMENTS
A	300 Ø HEX PRECAST CONC. DRIVEN PILE	GB-1	250	685	2-25M & 1-20M T&B CONT. 10M STIRRUPS @600 o/c	C-1	HSS 204x204x9.53	305x355x25 mm BASE PL 4-25mm Ø ANCHOR BOLTS	PROVIDE 150x150x12 x150 LONG ANGLE TIES TO ADJACENT PRECAST WALLS WHERE COLUMNS ARE ADJACENT TO PRECAST
B	350 Ø HEX PRECAST CONC. DRIVEN PILE	GB-2	250	685	2-25M T&B CONT. 10M STIRRUPS @600 o/c	C-2	HSS 178x178x7.95	250x350x25 mm BASE PL 4-20mm Ø ANCHOR BOLTS	
C	400 Ø HEX PRECAST CONC. DRIVEN PILE	GB-3	250	685	2-25M T&B CONT. 15M STIRRUPS @600 o/c 1000mm E.S. GRIDLINE	C-3	HSS 152x152x6.35	305x355x25 mm BASE PL 4-20mm Ø ANCHOR BOLTS	
		GB-4	250	685	2-25M T&B CONT. 10M STIRRUPS @600 o/c 10M STIRRUPS @300 o/c IN PAIRS AT LINES 1&5 BETWEEN G&H, L&K (SEE 1/S1.2)	C-4	HSS 152x152x9.5	305x355x25 mm BASE PL 4-20mm Ø ANCHOR BOLTS	
		GB-5	250	685	3-25M T&B CONT. 15M STIRRUPS @300 o/c	C-5	HSS 152x152x7.95	175x305x7.95 mm BASE PL 4-20mm Ø ANCHOR BOLTS	
		GB-6	250	685	2-25M & 1-20M T&B CONT. 15M STIRRUPS @600 o/c	C-6	W150x30	150x150x20 mm BASE PL 2-20mm Ø ANCHOR BOLTS	
		GB-7	250	685	2-25M & 1-20M T&B CONT. 15M STIRRUPS @300 o/c	C-7	W310x79	310x250x25 mm BASE PL 4-25mm Ø ANCHOR BOLTS	
		GB-8	350	685	3-20M T&B CONT. 10M STIRRUPS @600 o/c	C-8	W310x107	310x310x25 mm BASE PL 4-25mm Ø ANCHOR BOLTS	
		GB-9	250	685	3-25M T&B CONT. 15M STIRRUPS @600 o/c	C-9	HSS 127x127x6.35	150x250x12 mm BASE PL 2-20mm Ø ANCHOR BOLTS	
		GB-10	250	685	2-25M & 1-15M T&B CONT. 15M STIRRUPS @ 600 o/c	C-10	HSS 102x102x6.35	102x225x12 mm BASE PL 2-20mm Ø ANCHOR BOLTS	
		GB-11	250	900	3-25M T&B CONT. 15M STIRRUPS @ 600 o/c	C-11	HSS 102x102x4.78	102x225x12 mm BASE PL 2-20mm Ø ANCHOR BOLTS	
		GB-12	200	685	2-25M T&B CONT. 10M STIRRUPS @600 o/c	C-12	HSS 102x102x6.35	102x250x12 mm BASE PL 2-20mm Ø ANCHOR BOLTS	
						C-13	HSS 178x178x6.35	350x350x25 mm BASE PL 4-25mm Ø ANCHOR BOLTS	
						C-14	HSS 152x152x6.35	300x300x20 mm BASE PL 4-25mm Ø ANCHOR BOLTS	
						C-15	HSS 89x89x4.78	100x250x20 mm BASE PL 2-20mm Ø ANCHOR BOLTS	
						C-16	HSS 127x127x4.78	150x300x20 mm BASE PL 2-20mm Ø ANCHOR BOLTS	
						C-17	HSS 152x152x6.35	200x350x20 mm BASE PL 4-20mm Ø ANCHOR BOLTS	
						C-18	HSS 102x102x6.35	125x250x20 mm BASE PL 2-20mm Ø ANCHOR BOLTS	



REV	DESCRIPTION	DATE	BY
5	ISSUED FOR CONSTRUCTION	4 APR. 2012	CM
4	REISSUED FOR PERMIT	15 MAR. 2012	CM
3	66% DESIGN DWGS.	5 MAR. 2012	CM
2	ISSUED FOR FOUNDATION PERMIT	20 JAN. 2012	CM
1	33% DESIGN DWGS.	6 JAN. 2012	CM

Frovich & Associates
120 St. Annes Road
Winnipeg, MB
R2M 2Z2
(204) 254-0666



3 TERRACON PLACE
WINNIPEG, CANADA R2J 4B3
TEL. (204) 233 7881
FAX (204) 233 4733
general@ehansch.com
www.ehansch.com

CLIENT: CITY OF WINNIPEG
PUBLIC WORKS DEPARTMENT
PROJECT NUMBER: 1511
DRAWN BY: CM
DATE: MAR. 12, 2012
SCALE: AS NOTED

PROJECT TITLE:
**CITY OF WINNIPEG
PUBLIC WORKS EAST YARD COMPLEX
MAIN OFFICE & GARAGES**
SHEET TITLE:
**AUXILLARY BUILDINGS CS-13 & CS-14 SHARED
FLOOR PLAN, ROOF PLAN, SECTIONS, DETAILS**

SHEET NUMBER:

S4.1

REVISION NUMBER:

5