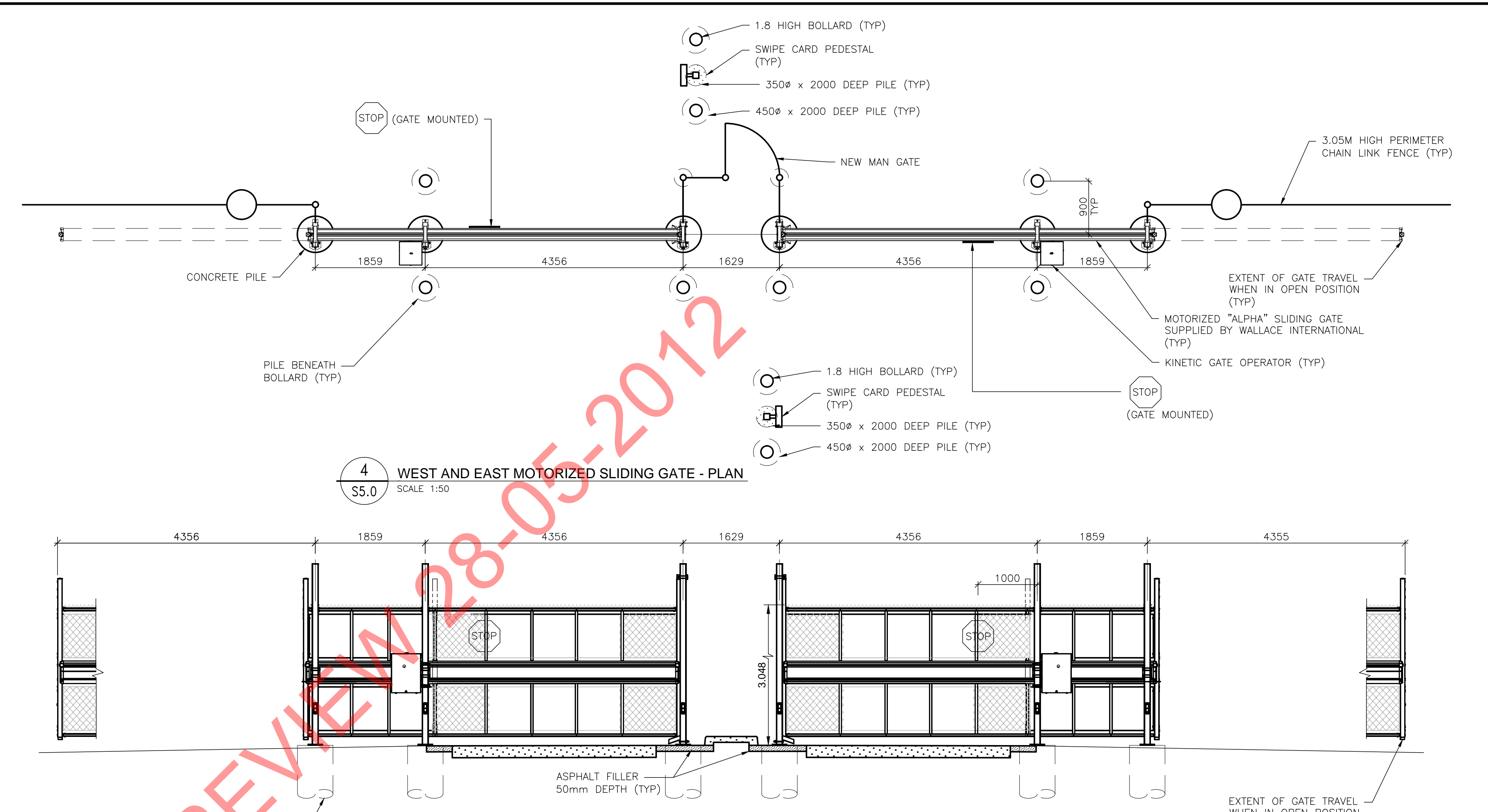


1 1.8 HIGH BOLLARD  
SCALE 1:20  
S5.0

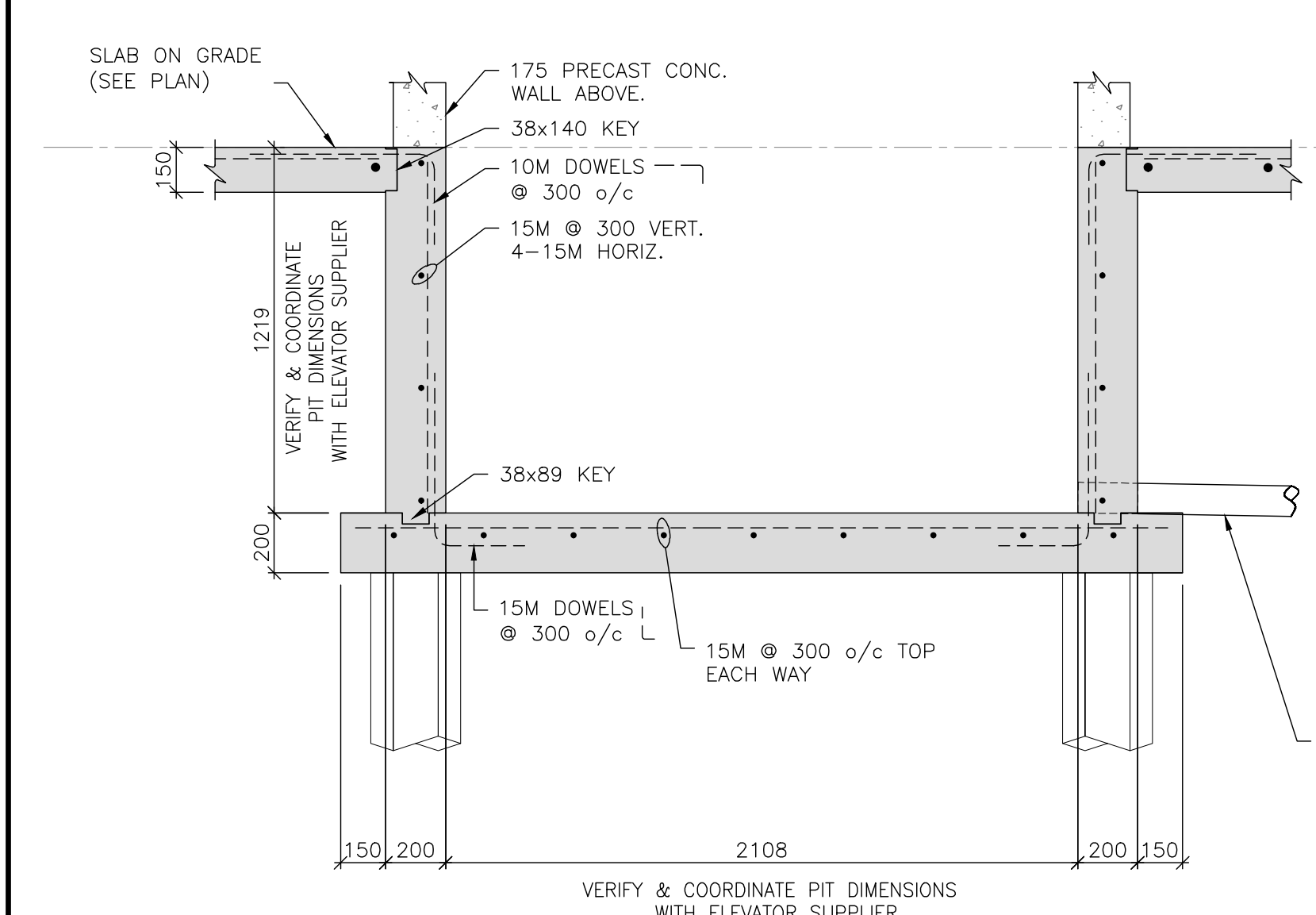
2 1.5 HIGH BOLLARD  
SCALE 1:20  
S5.0

3 LUMINAIRE BASE DETAIL  
NOT TO SCALE  
S5.0

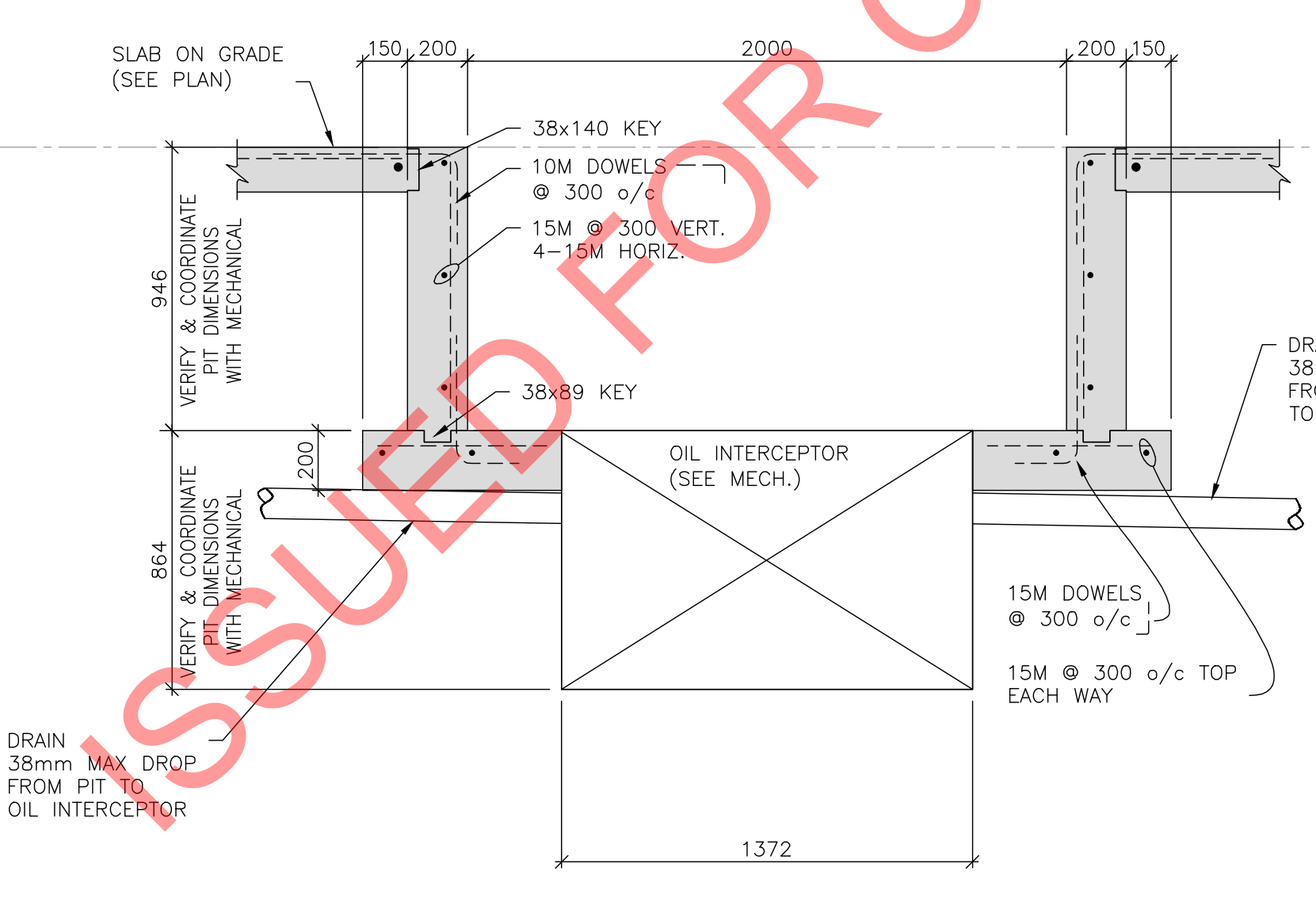


4 WEST AND EAST MOTORIZED SLIDING GATE - PLAN  
SCALE 1:50  
S5.0

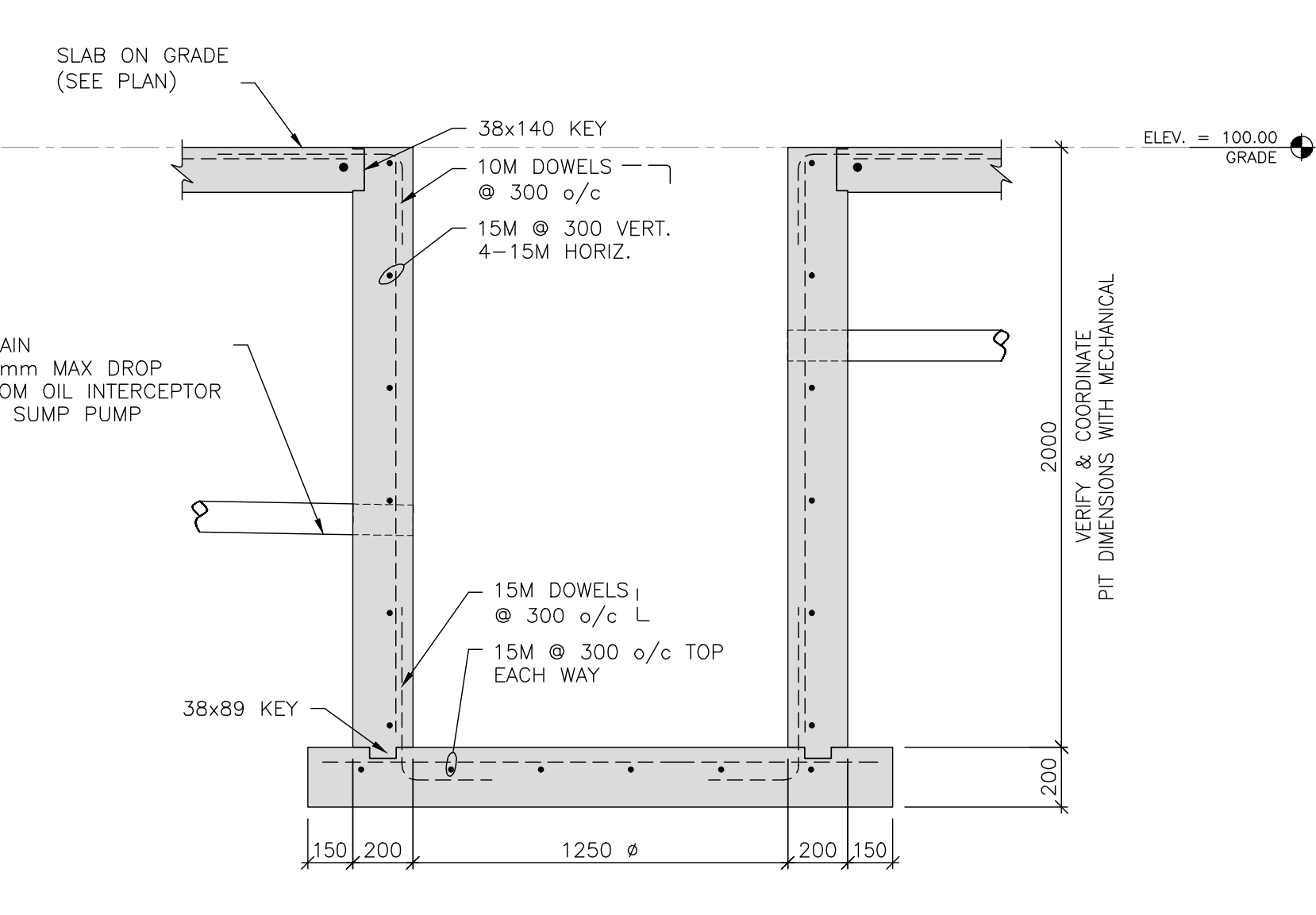
5 WEST AND EAST MOTORIZED SLIDING GATE - SECTION  
SCALE 1:50  
S5.0



6 ELEVATOR PIT SECTION  
SCALE 1:20  
S5.0



7 OIL PIT SECTION  
SCALE 1:20  
S5.0



8 SUMP PIT SECTION  
SCALE 1:20  
S5.0

REV	DESCRIPTION	DATE	BY
5	ISSUED FOR CONSTRUCTION	4 APR. 2012	CM
4	REISSUED FOR PERMIT	15 MAR. 2012	CM
3	66% DESIGN DWGS.	5 MAR. 2012	CM
2	ISSUED FOR FOUNDATION PERMIT	20 JAN. 2012	CM
1	33% DESIGN DWGS.	6 JAN. 2012	CM

**Frovich & Associates**  
120 St. Annes Road  
Winnipeg, MB  
R2M 2Z2  
(204) 254-0666

**ERNST HANSCH**  
CONSTRUCTION LTD.

3 TERRACON PLACE  
WINNIPEG, CANADA R2J 4B3  
TEL. (204) 233 7881  
FAX (204) 233 4733  
general@ehansch.com  
www.ehansch.com

CLIENT: CITY OF WINNIPEG  
PUBLIC WORKS DEPARTMENT  
PROJECT NUMBER: 1511  
DRAWN BY: CM  
DATE: MAR. 12, 2012  
SCALE: AS NOTED

PROJECT TITLE:  
**CITY OF WINNIPEG  
PUBLIC WORKS EAST YARD COMPLEX  
MAIN OFFICE & GARAGES**  
SHEET TITLE:  
**TYPICAL SITE DETAILS**

SHEET NUMBER:

S5.0

REVISION NUMBER:

5

